

## 7. Parts catalog

### How to use this parts catalog

The following legend is used in the parts catalog:

Asm-index	Part number	FRUs/mach	Units/FRU	Description
-----------	-------------	-----------	-----------	-------------

- **Asm-index:** Identifies the assembly and the item in the diagram. For example, 3-1 indicates Assembly 3 and item number 1 in the table.
- **Part number:** Identifies the unique number that identifies this FRU.
- **FRUs/mach:** Refers to the number of FRUs used in the product.
- **Units/FRU:** Refers to the number of units packaged together and identified by the part number.
- **NS:** (Not shown) in the Asm-Index column indicates that the part is procurable but is not pictured in the illustration.
- **PP:** (Parts Packet) in the parts description column indicates the part is contained in a parts packet.

Model name	Configuration	Machine type	Maximum speed
Lexmark X940e	Network	7510-030	35 PPM
Lexmark X945e	Network	7510-230	45 PPM
Lexmark C930	Network	5057-030	35 PPM
Lexmark C935	Network	5057-230	45 PPM

Previous

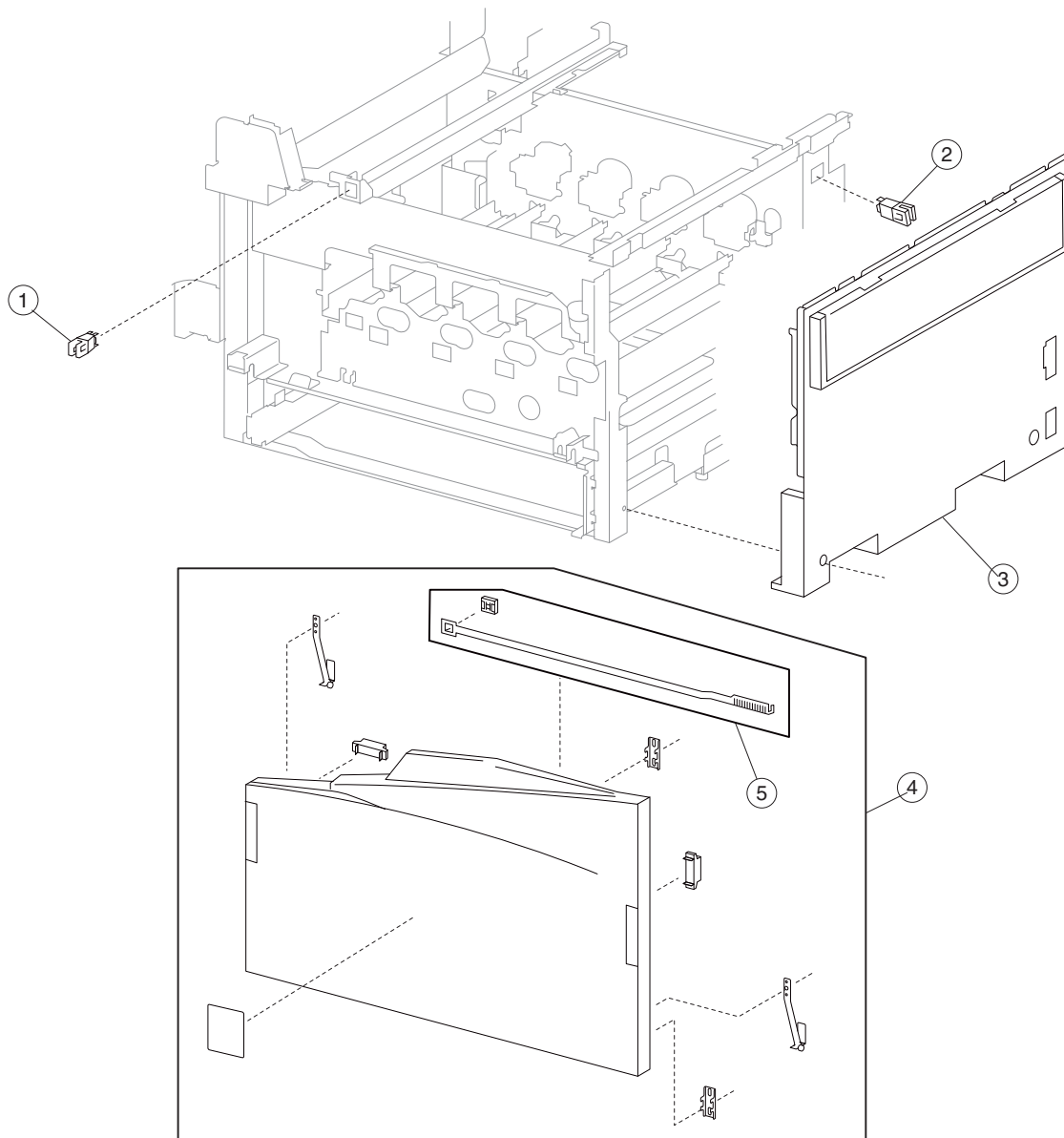


Next



Go Back

## Assembly 1: Covers 1



Previous



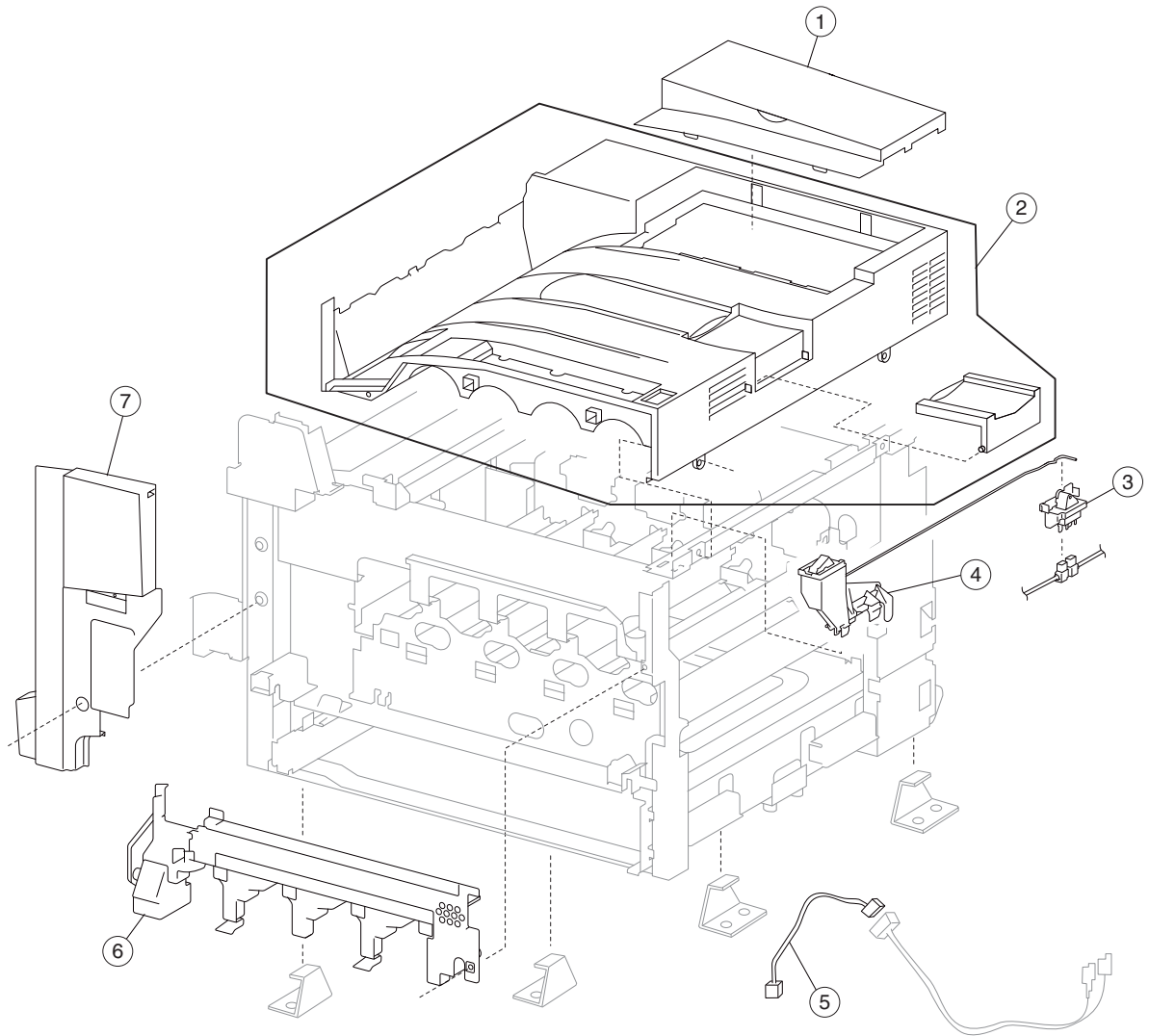
Next



Go Back

Asm-index	Part number	FRUs/ mach	Units/ FRU	Description
1	40X0840	3	1	Switch (printer front door interlock)
2	40X0553	3	1	Switch (transfer access door interlock)
3	40X3780	1	1	Right cover assembly
4	40X3778	1	1	Printer front door assembly (this comes assembled)
5	40X3779	1	1	Printhead slit glass cleaning assembly

## Assembly 2: Covers 2



Previous



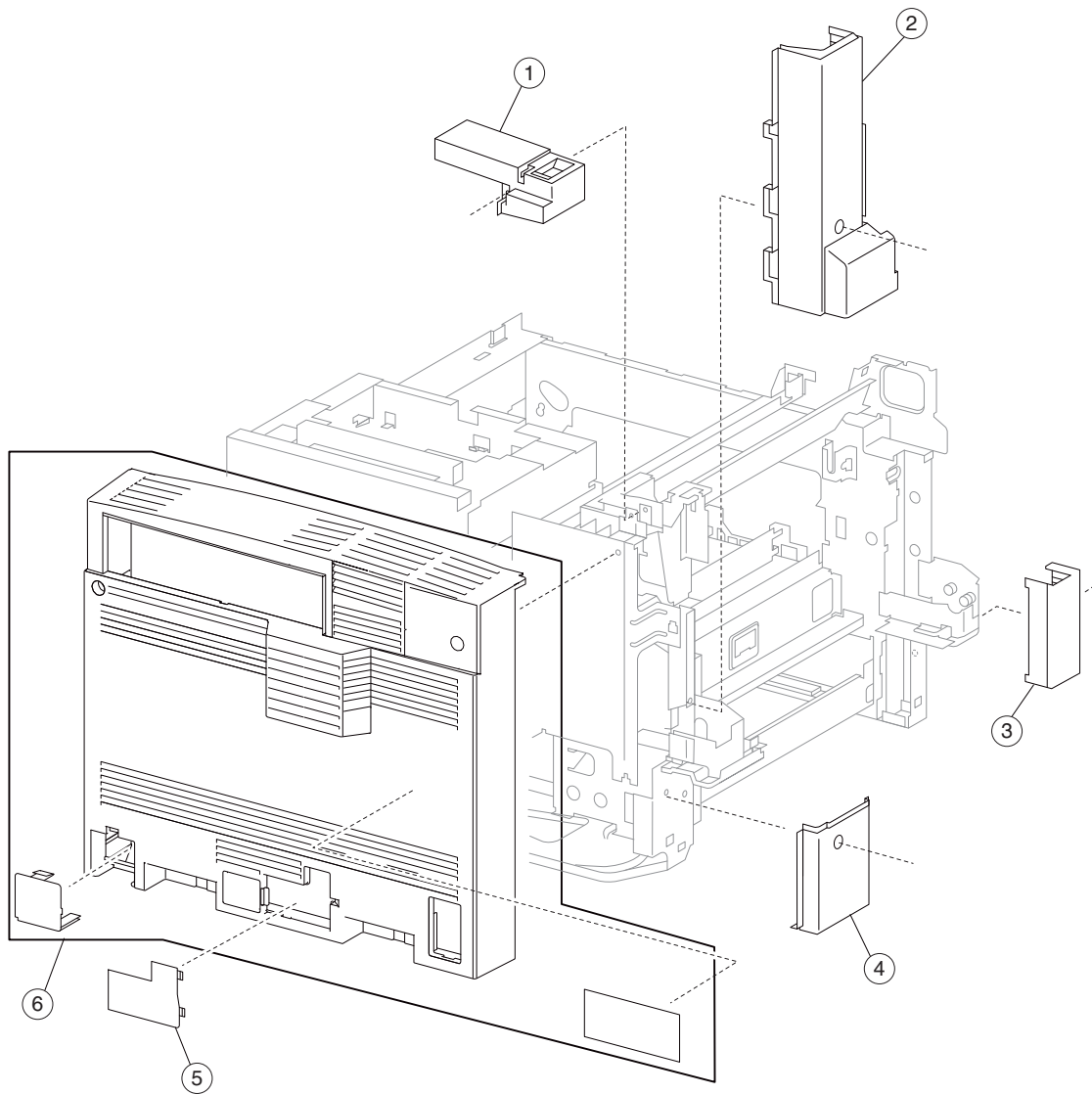
Next



Go Back

Asm-index	Part number	FRUs/ mach	Units/ FRU	Description
1	40X3782	1	1	RIP card access cover
2	40X3781	1	1	Top cover assembly
3	40X3787	1	1	Switch (main power)
4	40X3786	1	1	Main power switch actuator
5	40X3783	1	1	Main switch cable assembly
6	40X3785	1	1	Inner cover
7	40X3784	1	1	Front left cover

## Assembly 3: Covers 3



Previous



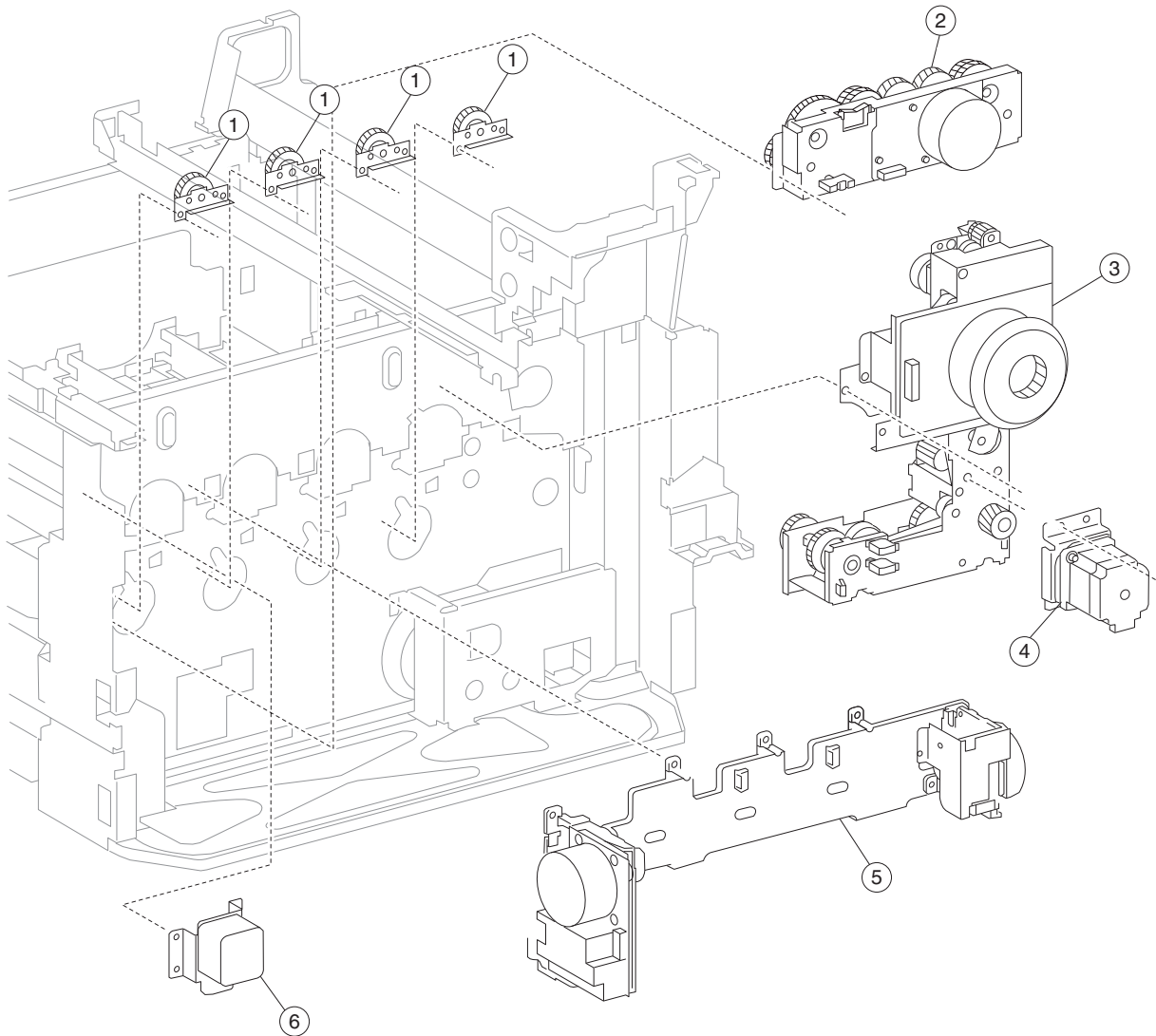
Next



Go Back

Asm-index	Part number	FRUs/ mach	Units/ FRU	Description
1	40X3796	1	1	Rear left upper cover
2	40X3793	1	1	Rear left middle cover
3	40X3795	1	1	Left front cover
4	40X3794	1	1	Rear left lower cover
5	40X3788	1	1	Rear blind cover
6	40X3789	1	1	Rear cover assembly 110 V
6	40X3790	1	1	Rear cover assembly 220 V

## Assembly 4: PC cartridge and developer drive



Previous



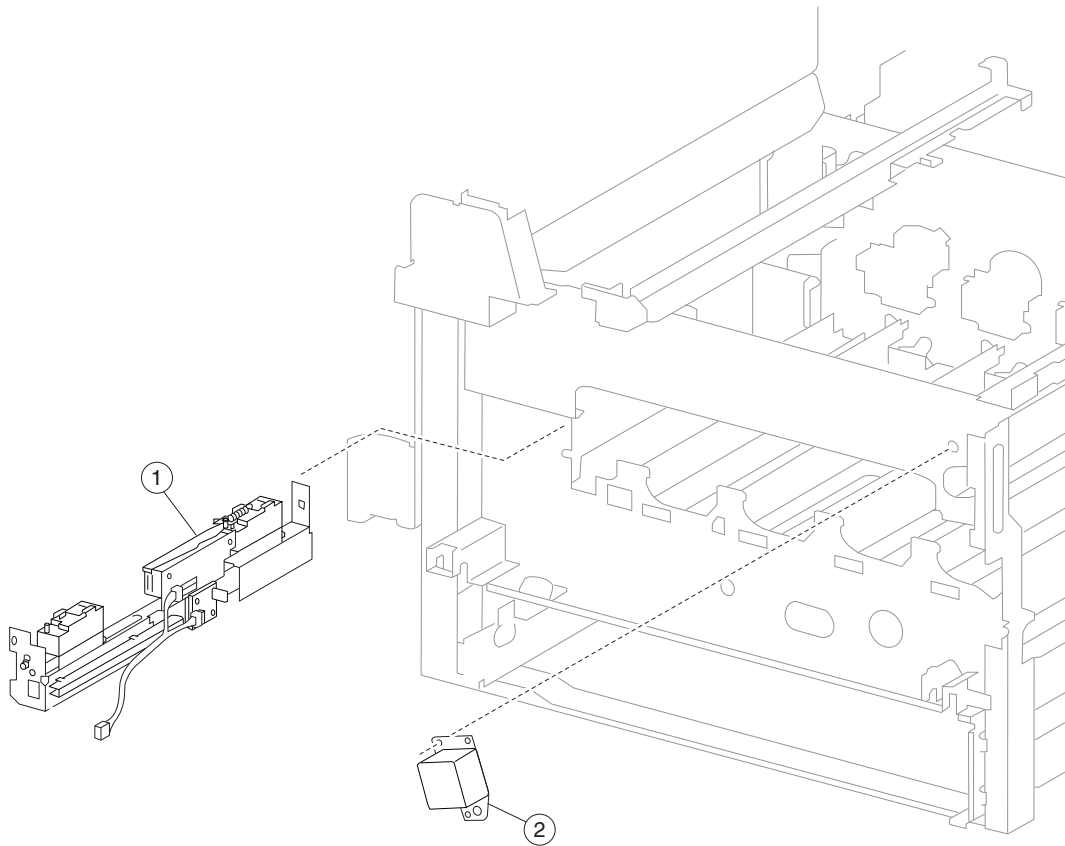
Next



Go Back

Asm-index	Part number	FRUs/ mach	Units/ FRU	Description
1	40X3671	4	1	Developer idler gear assembly
2	40X3669	1	1	CMY developer drive motor assembly
3	40X3670	1	1	Developer/transport drive motor assembly
4	40X3672	1	1	MPF/transport drive motor assembly
5	40X3667	1	1	CMYK PC cartridge drive motor assembly
6	40X3668	1	1	Transfer belt drive motor assembly

## Assembly 5: ID sensor and transfer belt steering



Previous



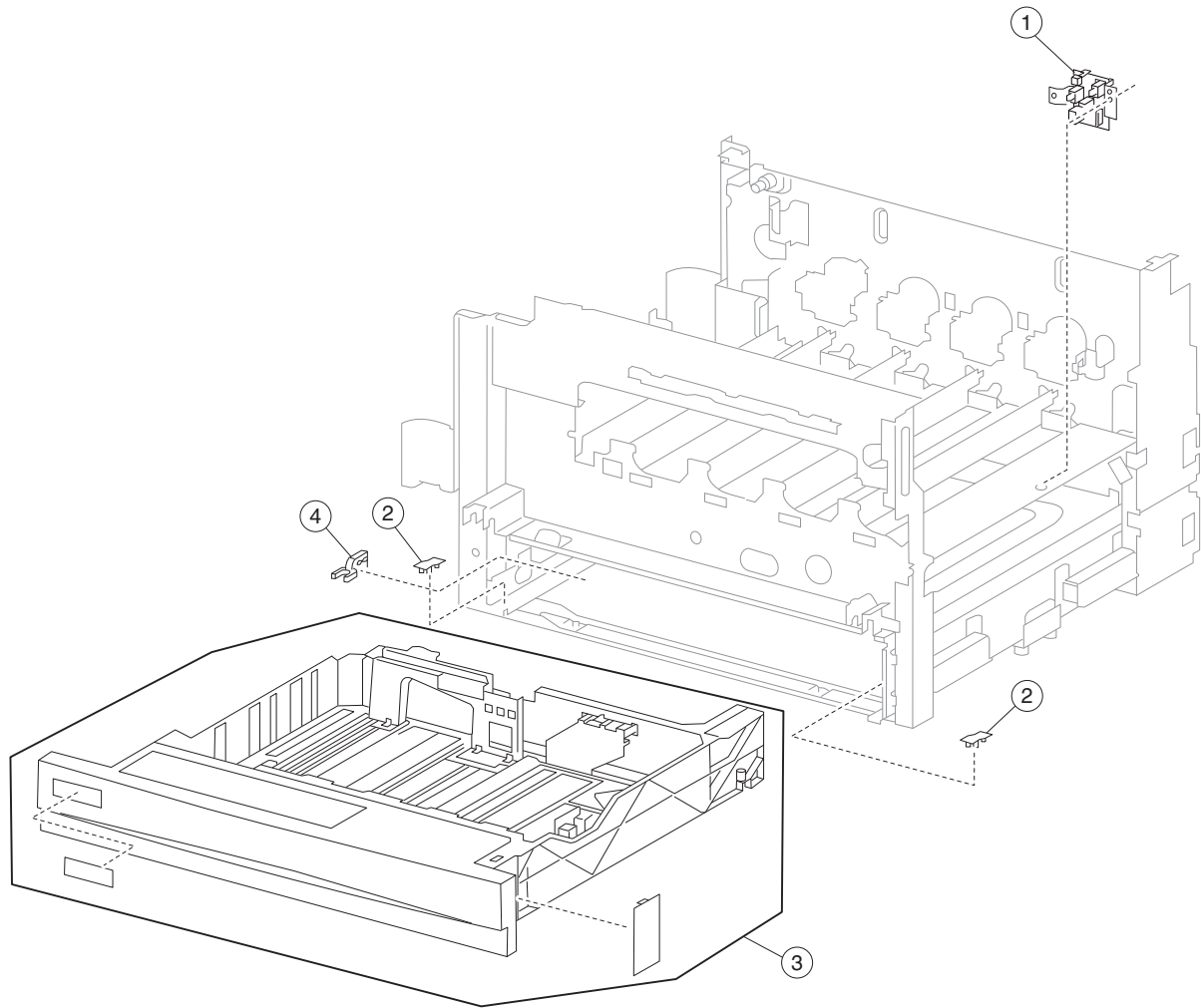
Next



Go Back

Asm-index	Part number	FRUs/ mach	Units/ FRU	Description
1	40X3674	1	1	Image density sensor assembly
2	40X3673	1	1	Transfer belt steering motor

## Assembly 6: Media tray



Previous



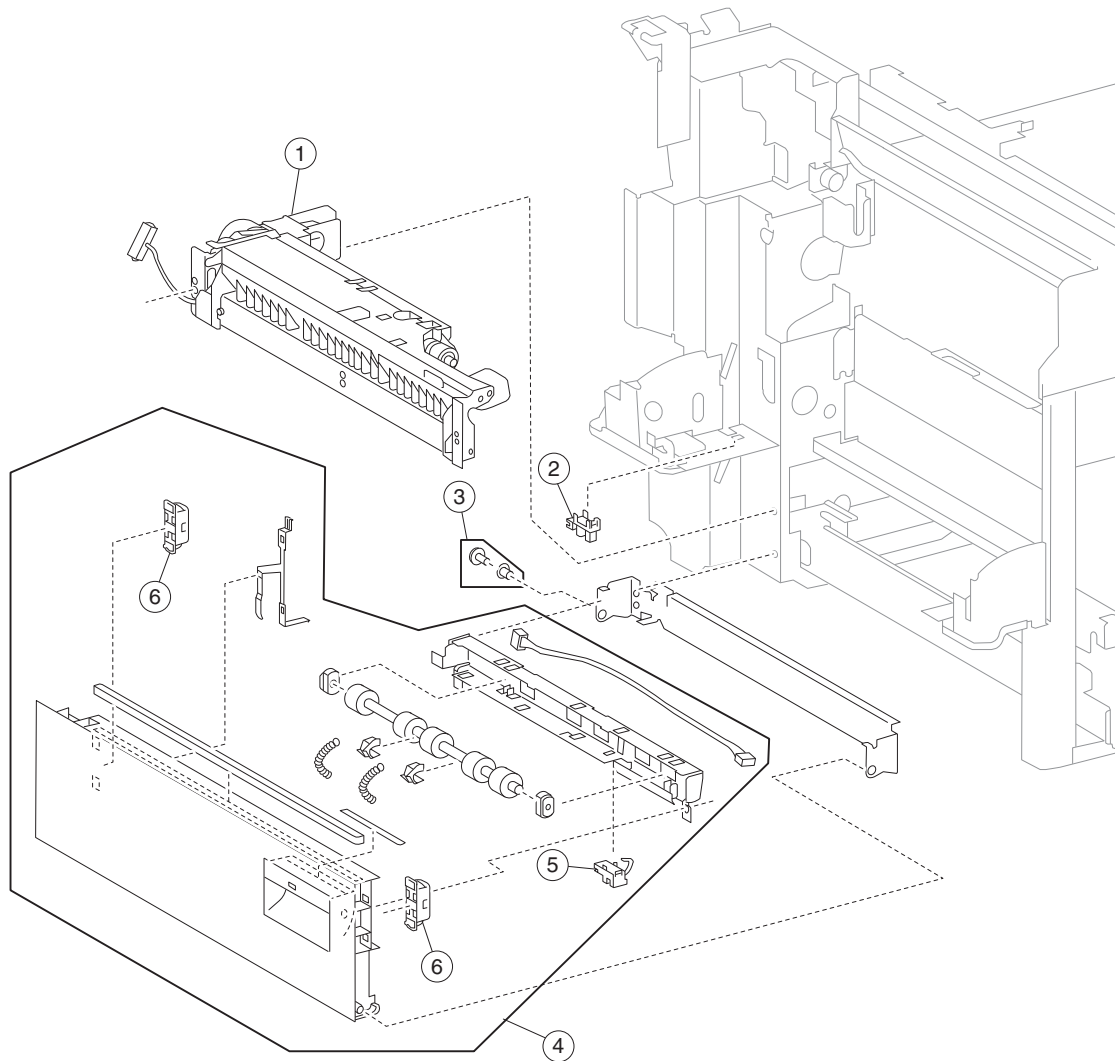
Next



Go Back

Asm-index	Part number	FRUs/ mach	Units/ FRU	Description
1	40X3677	2	1	Switch (media size)
2	40X3676	8	1	Media tray slide
3	40X3678	3	6	Media tray assembly kit <ul style="list-style-type: none"> <li>• Media tray assembly</li> <li>• #1 label</li> <li>• #2 label</li> <li>• #3 label</li> <li>• #4 label</li> <li>• Instruction label</li> </ul>
4	40X3675	2	1	Media tray catch

## Assembly 7: Printer left lower door and media feed unit



Previous



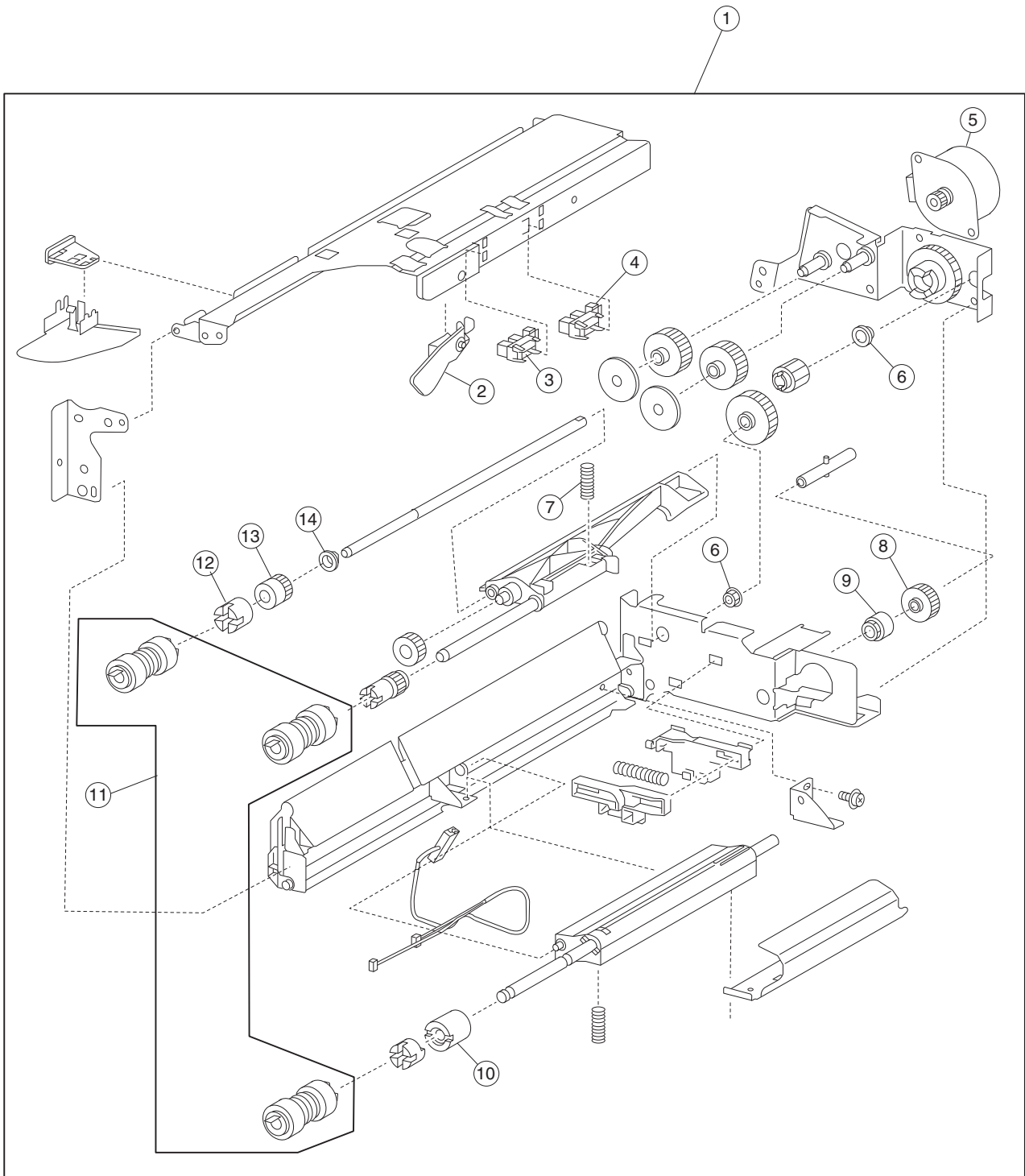
Next



Go Back

Asm-index	Part number	FRUs/ mach	Units/ FRU	Description
1	40X3679	4	1	Media feed unit assembly
2	40X3688	30	1	Sensor (printer left lower door interlock)
3	40X0613	1	1	Hinge pin
4	40X3680	1	1	Printer left lower door assembly (this comes assembled)
5	40X3681	1	1	Sensor (tray 1 feed-out)
6	40X3682	2	1	Magnetic catch



**Assembly 8: Media feed unit**

Previous



Next



Go Back

**Assembly 8: Media feed unit**

Asm-index	Part number	FRUs/ mach	Units/ FRU	Description
1	40X3679	4	1	Media feed unit assembly
2	40X3687	4	1	Media out actuator
3	40X3688	30	1	Sensor (tray media out)
4	40X3688	30	1	Sensor (tray media level)
5	40X3684	4	1	Media feed lift motor
6	40X0888	6	1	Bushing 6 mm
7	40X0590	2	1	Pick roll assembly spring
8	40X3686	4	1	Media tray lift one-way gear
9	40X3685	4	1	Media tray lift one-way clutch
10	40X4086	4	2	Separation roll friction clutch
11	40X0594	2	1	Feed unit roll kit <ul style="list-style-type: none"> <li>• Feed roll (2)</li> <li>• Pick roll (2)</li> <li>• Separation roll (2)</li> </ul>
12	40X3690	4	1	Feed roll one-way clutch
13	40X3691	4	1	Feed roll one-way gear 22T
14	40X0952	6	1	Bushing 6 mm

Previous

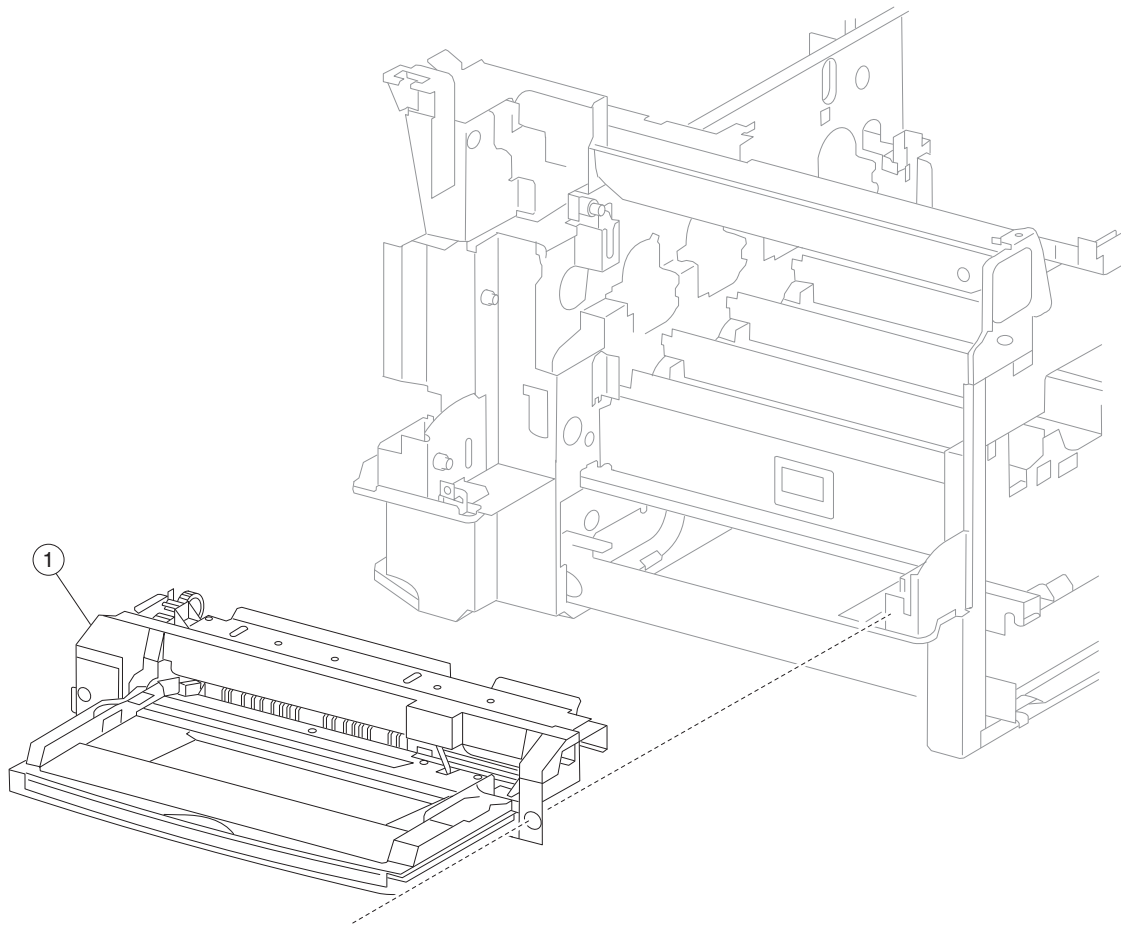


Next



Go Back

## Assembly 9: MPF feed unit assembly 1



Previous



Next



Go Back

Asm-index	Part number	FRUs/mach	Units/FRU	Description
1	40X4079	1	1	MPF feed unit assembly (this comes assembled)

## Assembly 10: MPF feed unit assembly 2

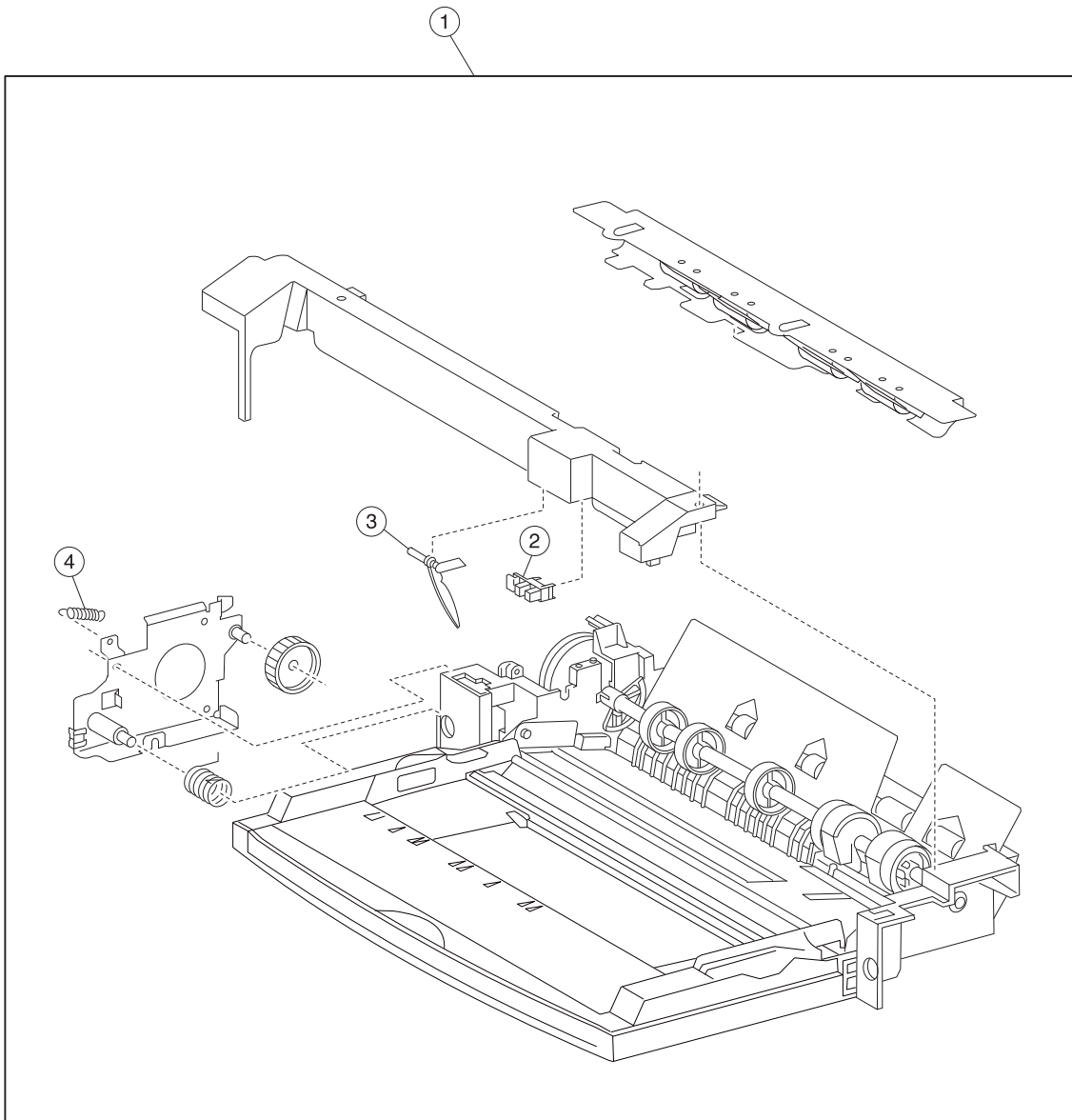
Previous



Next

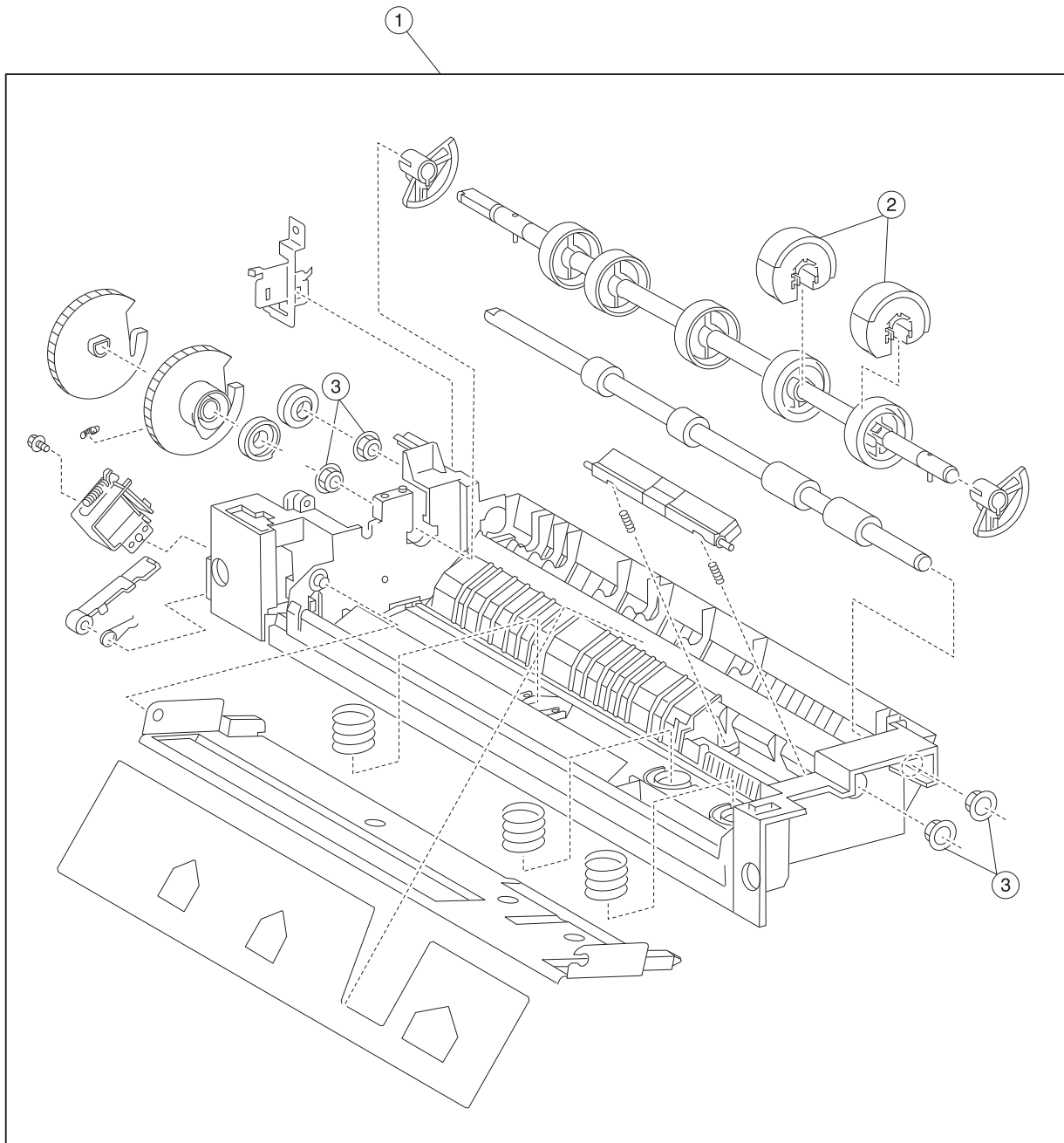


Go Back



Asm-index	Part number	FRUs/ mach	Units/ FRU	Description
1	40X4079	1	1	MPF feed unit assembly (this comes assembled)
2	40X3688	30	1	Sensor (MPF media out)
3	40X3709	1	1	MPF media out actuator
4	40X0755	1	1	MPF pickup spring

## Assembly 11: MPF feed unit assembly 3



Previous



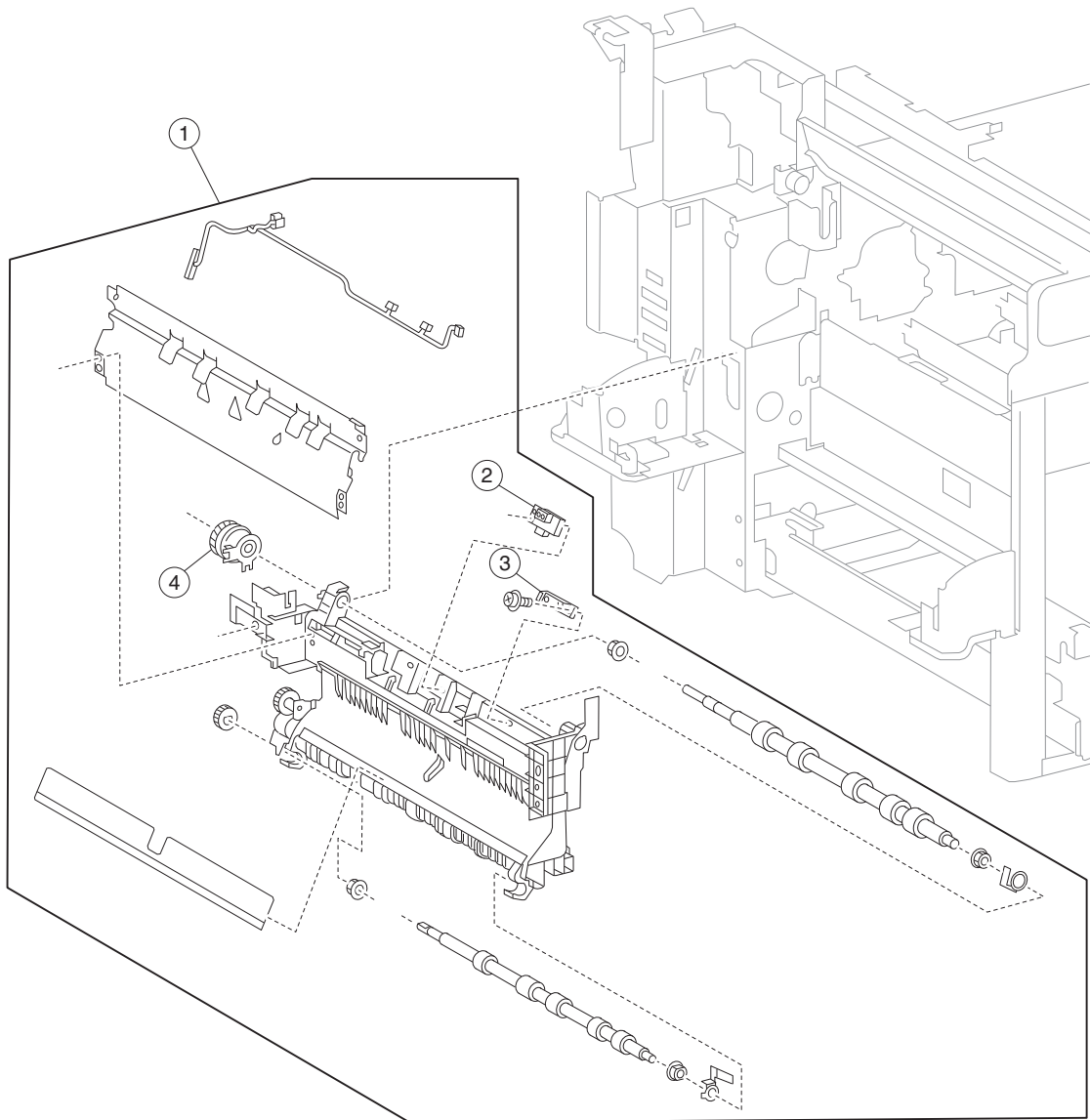
Next



Go Back

Asm-index	Part number	FRUs/mach	Units/FRU	Description
1	40X4079	1	1	MPF feed unit assembly (this comes assembled)
2	40X3711	1	2	MPF pick roll kit <ul style="list-style-type: none"> <li>• MPF pick roll (2)</li> </ul>
3	40X1381	4	1	Bushing 8 mm

## Assembly 12: Registration / transport roll assembly



Previous



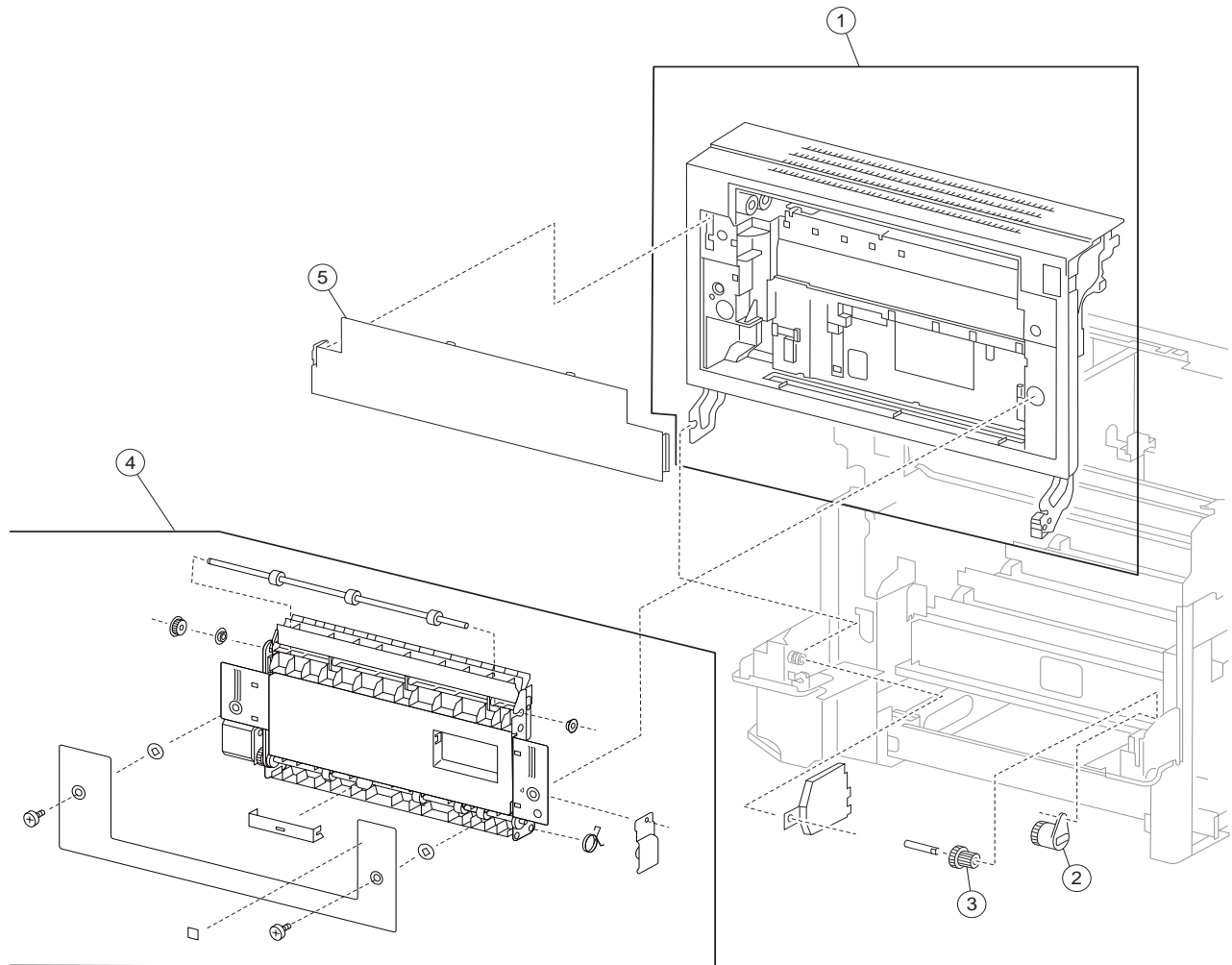
Next



Go Back

Asm-index	Part number	FRUs/ mach	Units/ FRU	Description
1	40X3692	1	1	Registration/transport roll assembly (this comes assembled)
2	40X3695	1	1	Sensor (transparency detect)
3	40X3694	2	1	Sensor (registration)
4	40X3693	1	1	Registration clutch

## Assembly 13: Printer left door and duplex



Previous



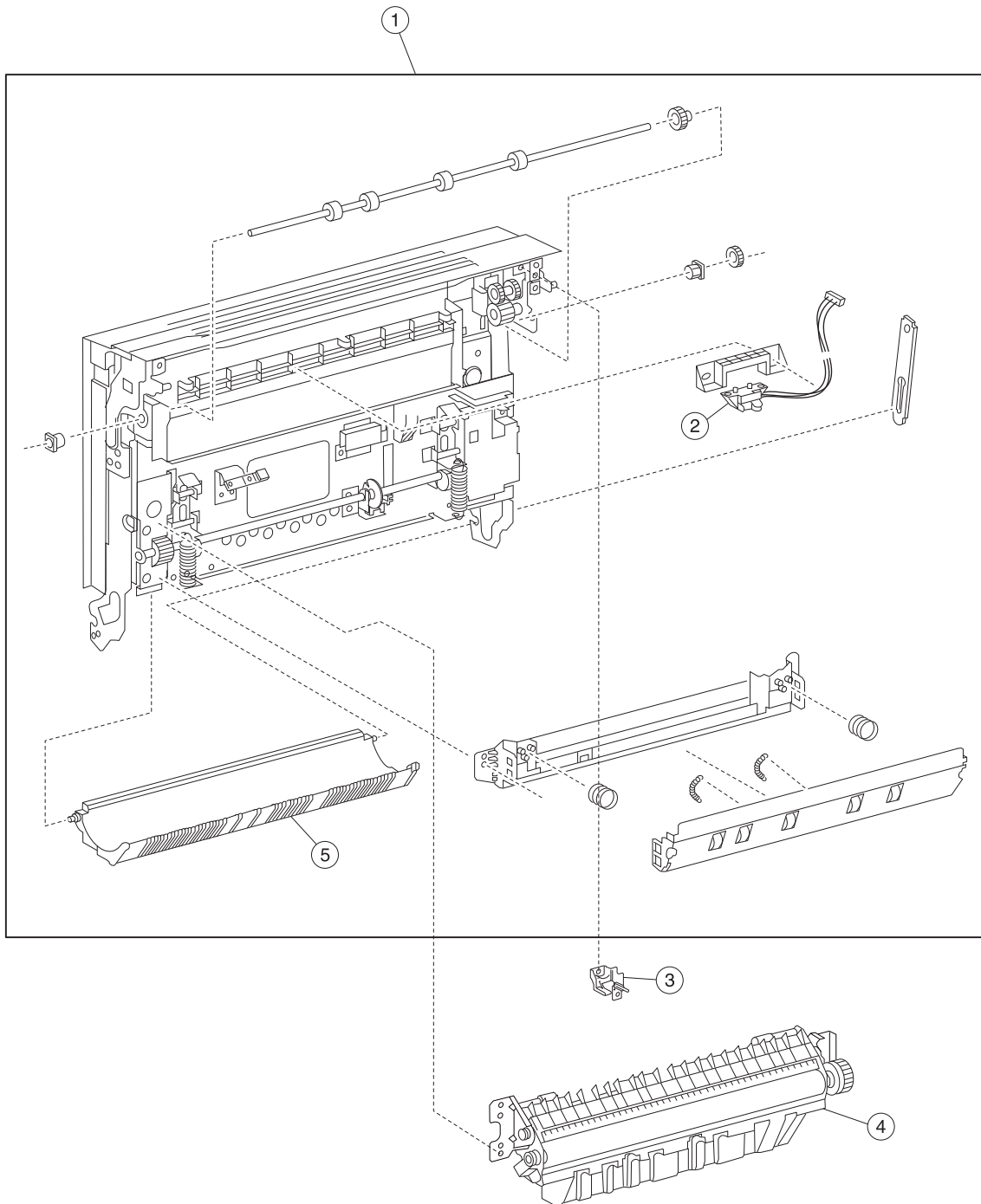
Next



Go Back

Asm-index	Part number	FRUs/mach	Units/FRU	Description
1	40X4078	1	1	Printer left door assembly (this comes assembled)
2	40X3697	1	1	Printer left door damper assembly
3	40X3696	1	1	Printer left door damper idler gear
4	40X3799	1	1	Duplex unit assembly (this comes assembled)
5	40X3798	1	1	Printer left door blind cover

## Assembly 14: Printer left door assembly 1



Previous



Next

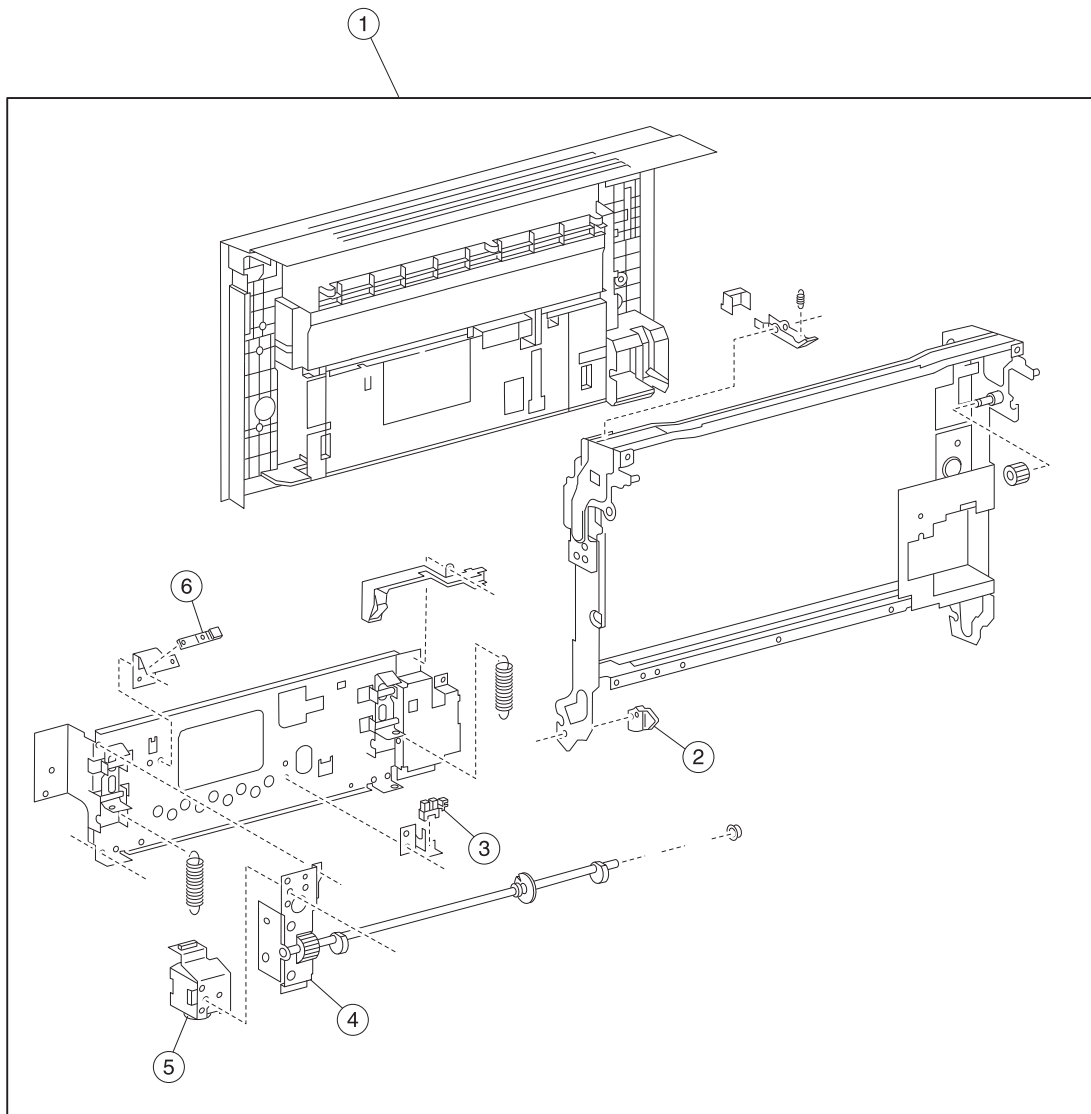


Go Back

Asm-index	Part number	FRUs/ mach	Units/ FRU	Description
1	40X4078	1	1	Printer left door assembly (this comes assembled)
2	40X3699	1	1	Sensor (fuser exit)
3	40X4098	1	1	Printer left door closed actuator
4	40X3698	1	1	2nd transfer roll assembly
5	40X3700	1	1	Printer left door duplex exit guide



## Assembly 15: Printer left door assembly 2



Previous



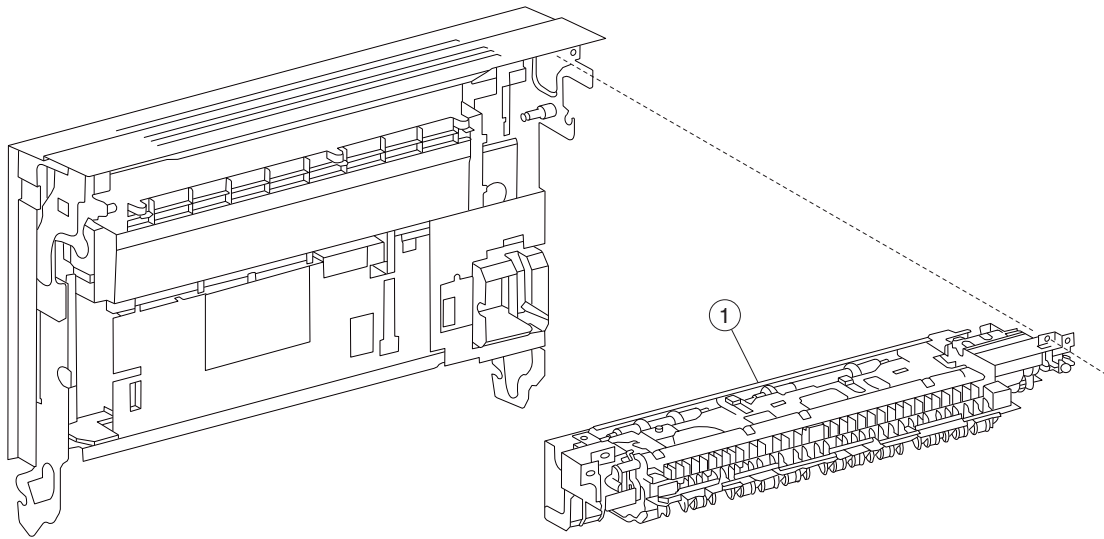
Next



Go Back

Asm-index	Part number	FRUs/ mach	Units/ FRU	Description
1	40X4078	1	1	Printer left door assembly (this comes assembled)
2	40X3704	1	1	Printer left door damper sector gear
3	40X3688	30	1	Sensor (2nd transfer roll retract HP)
4	40X3701	1	1	2nd transfer roll retract cam assembly
5	40X3702	1	1	2nd transfer retract motor assembly
6	40X3703	1	1	Sensor (media on belt)

## Assembly 16: Duplex media inverter assembly



Previous



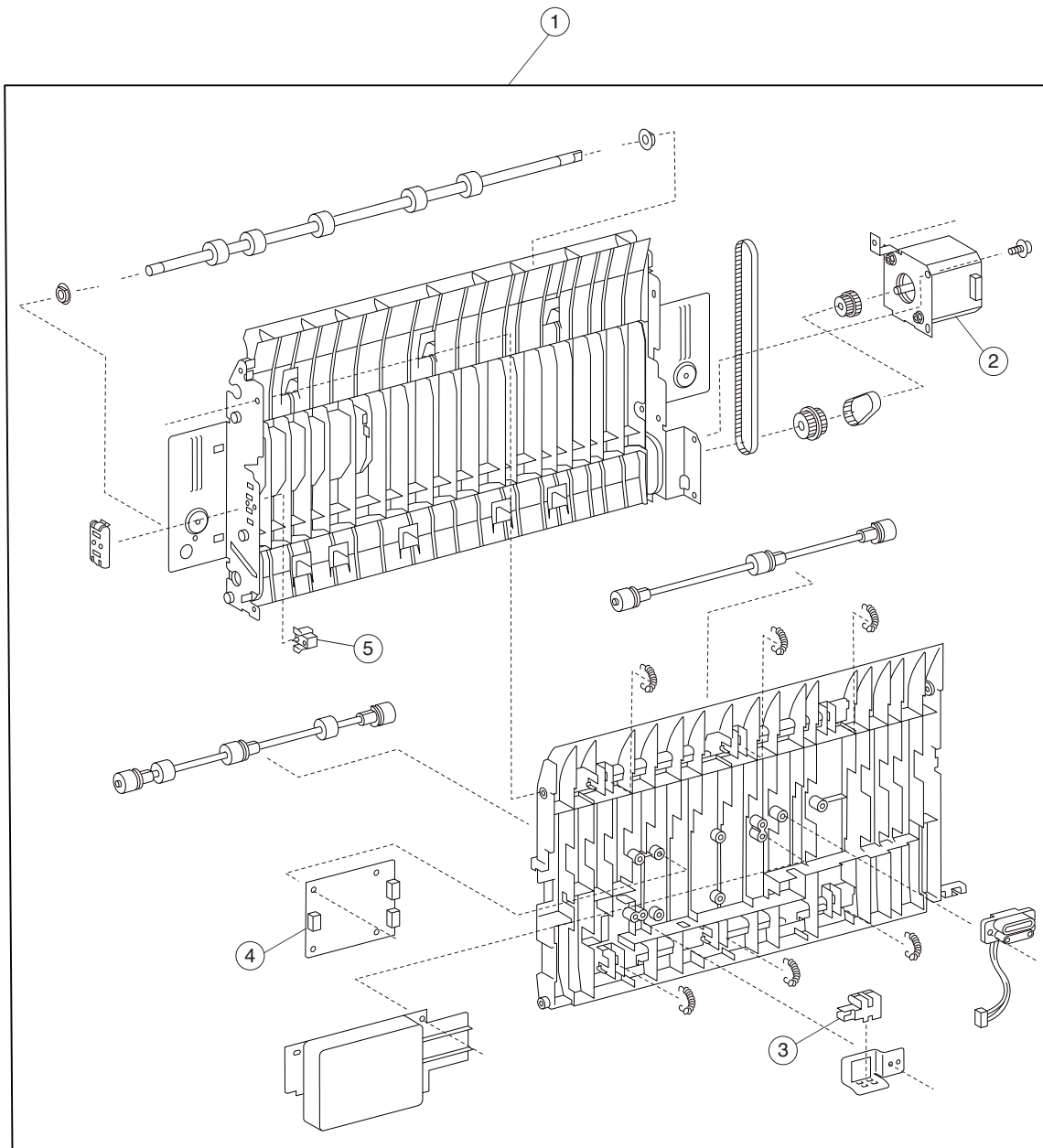
Next



Go Back

Asm-index	Part number	FRUs/ mach	Units/ FRU	Description
1	40X3797	1	1	Duplex media inverter assembly

## Assembly 17: Duplex 2



Previous



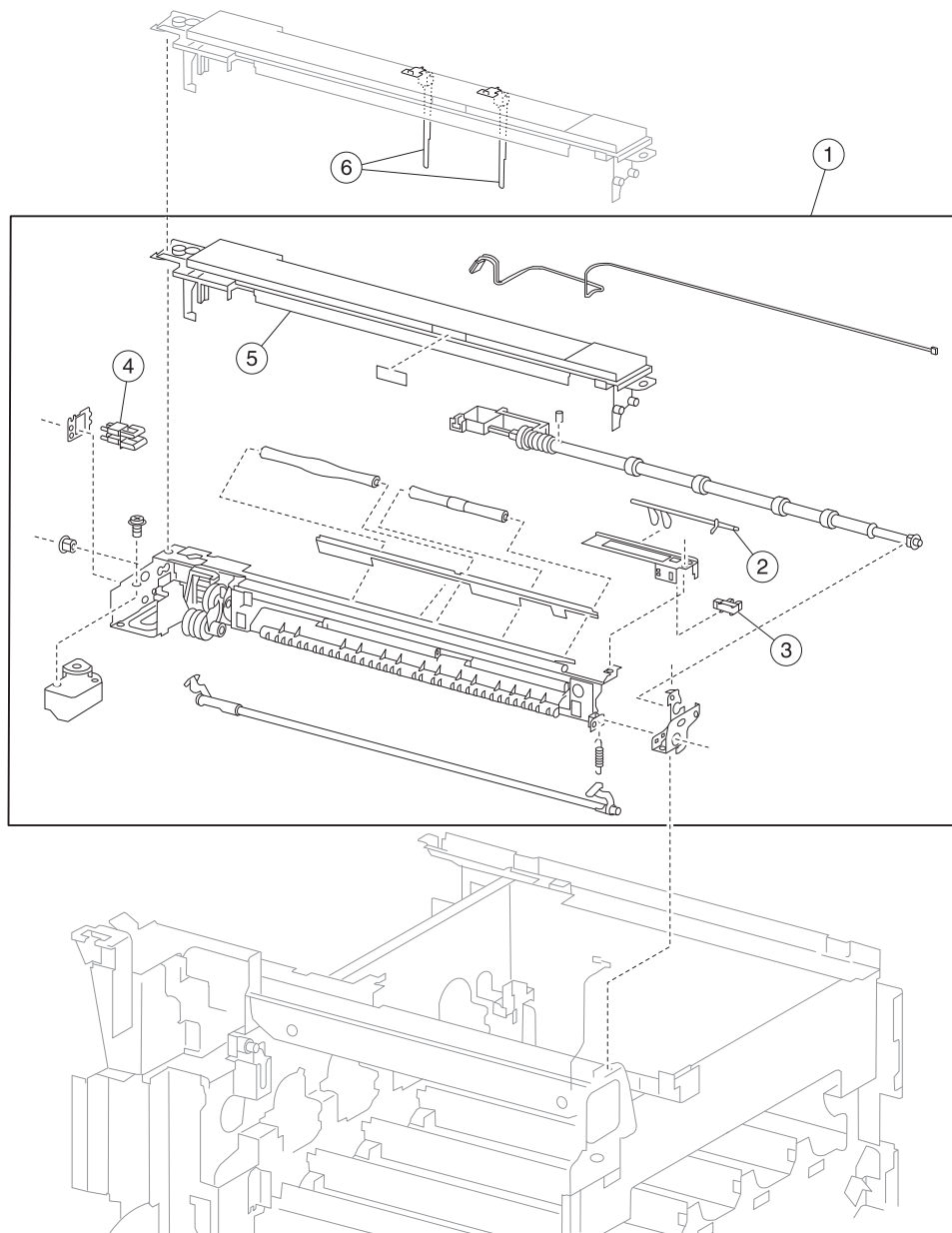
Next



Go Back

Asm-index	Part number	FRUs/ mach	Units/ FRU	Description
1	40X3799	1	1	Duplex unit assembly (this comes assembled)
2	40X3802	1	1	Duplex drive motor
3	40X3801	1	1	Sensor (duplex wait)
4	40X3800	1	1	Duplex controller card assembly
5	40X3803	1	1	Switch (duplex left door interlock)

## Assembly 18: Standard media exit shift



Previous



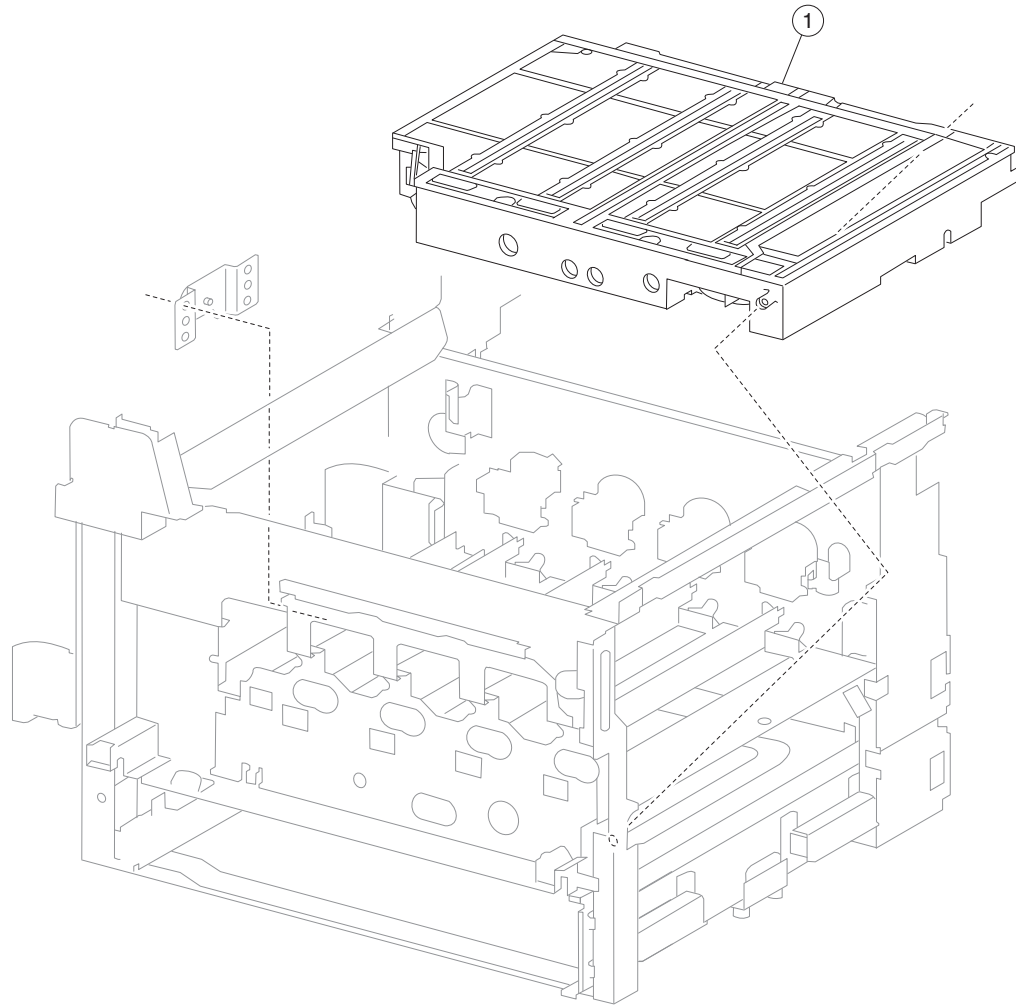
Next



Go Back

Asm-index	Part number	FRUs/ mach	Units/ FRU	Description
1	40X3705	1	1	Standard media exit shift assembly (this comes assembled)
2	40X3707	1	1	Standard bin full actuator
3	40X3688	30	1	Sensor (standard bin full)
4	40X0840	3	1	Switch (printer left door interlock)
5	40X3706	1	1	Standard exit top cover
6	40X4080	1	3	Standard output bin paper weight assembly <ul style="list-style-type: none"> <li>• Paper weight (2)</li> <li>• Installation template</li> </ul>

## Assembly 19: Printhead assembly



Previous



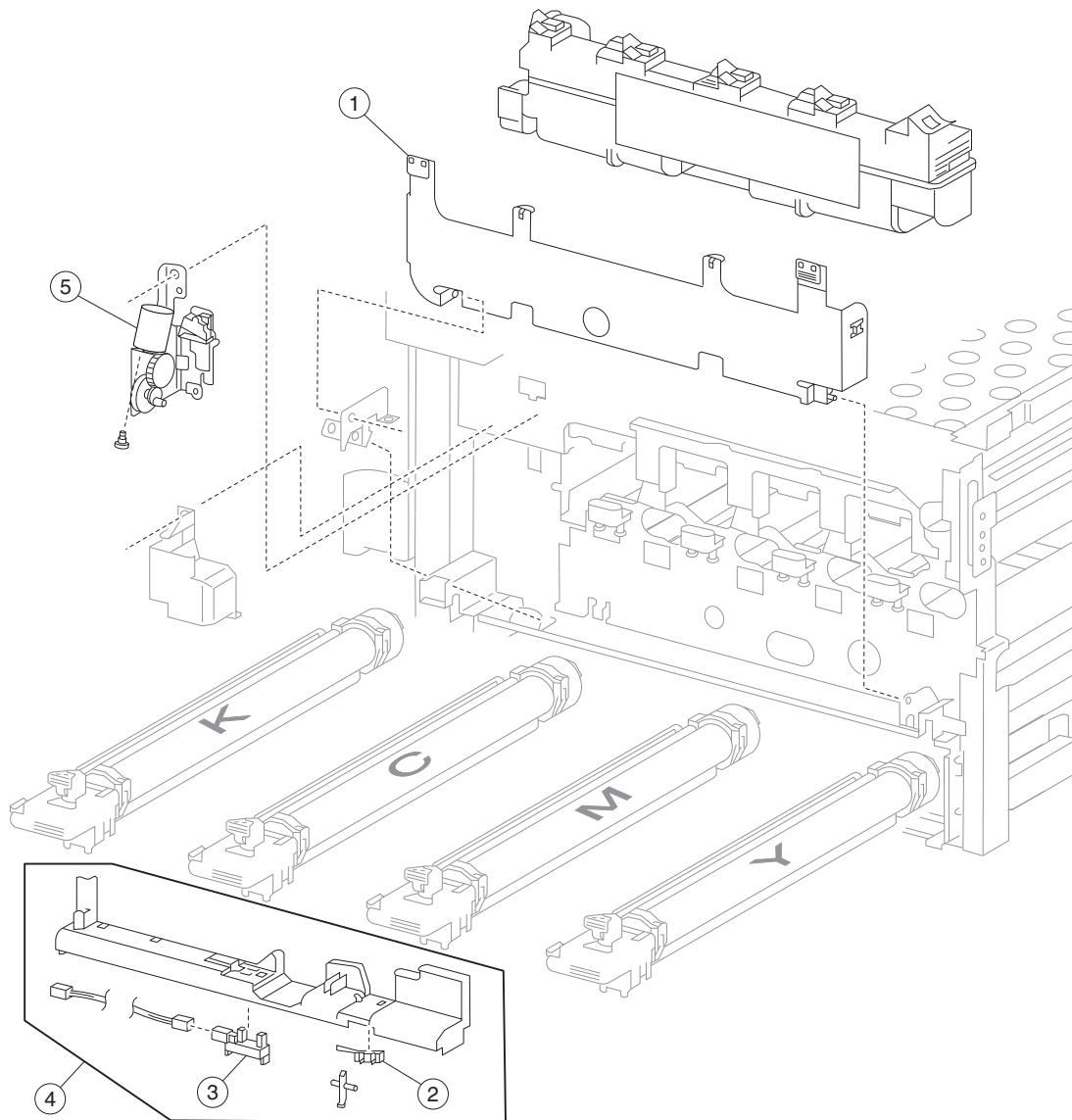
Next



Go Back

Asm-index	Part number	FRUs/mach	Units/FRU	Description
1	40X3712	1	1	Printhead assembly

## Assembly 20: Xerographic and waste toner



Previous



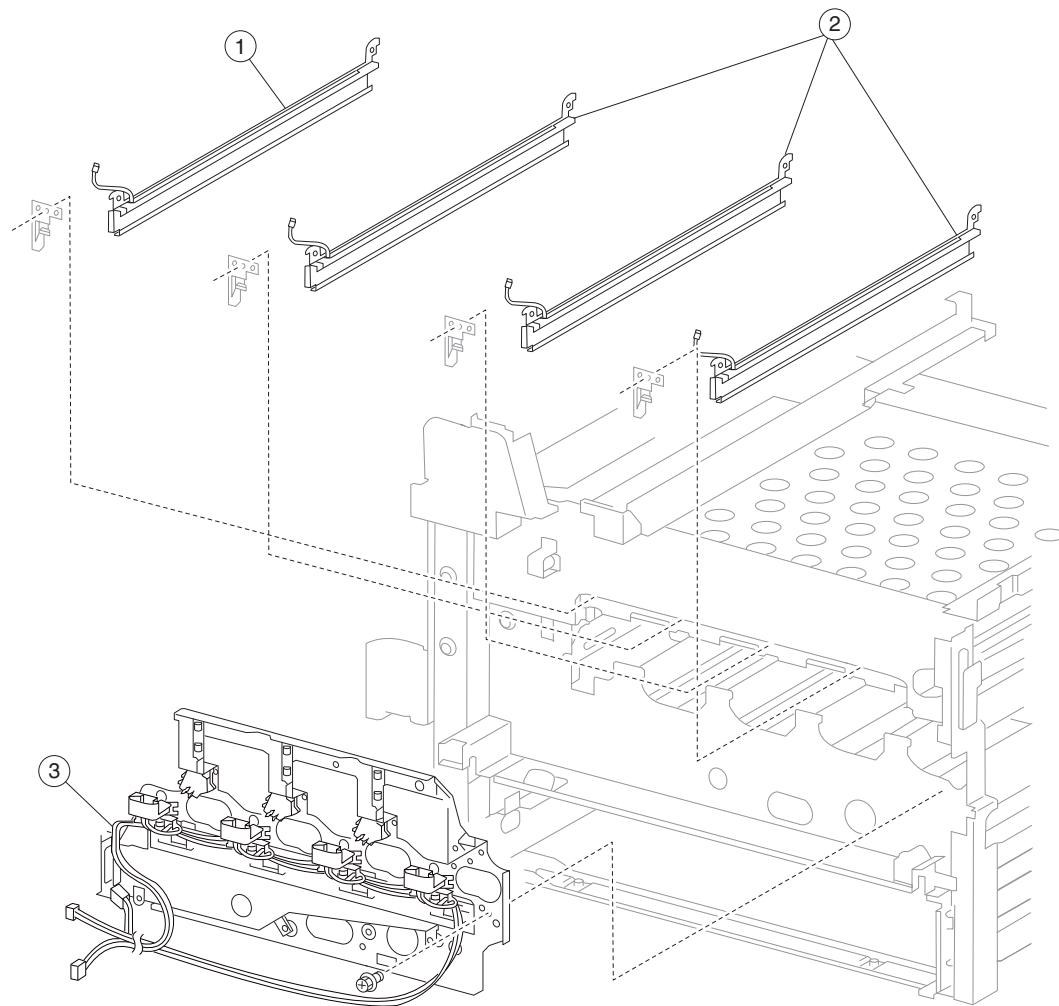
Next



Go Back

Asm-index	Part number	FRUs/ mach	Units/ FRU	Description
1	40X3713	1	1	Waste toner cartridge cover
2	40X3715	1	1	Switch (waste toner cartridge interlock)
3	40X3717	1	1	Sensor (waste toner cartridge full)
4	40X3714	1	1	Waste toner cartridge sensor assembly (this comes assembled)
5	40X3716	1	1	Waste toner agitator motor assembly

## Assembly 21: Erase lamps and developer interlock plate



Previous



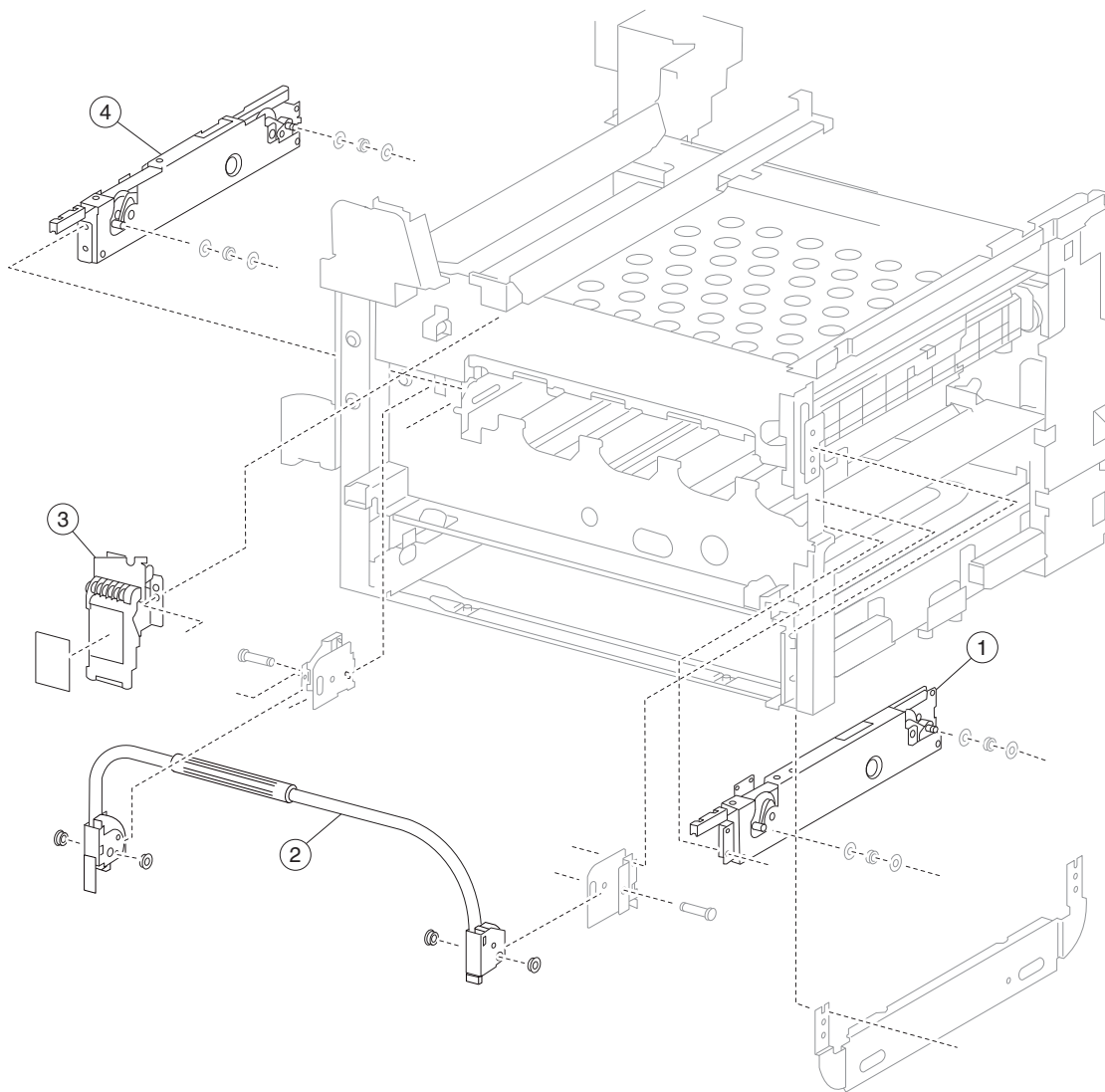
Next



Go Back

Asm-index	Part number	FRUs/ mach	Units/ FRU	Description
1	40X3720	1	1	K erase lamp assembly
2	40X3719	3	1	CMY erase lamp assembly
3	40X3718	1	1	Developer interlock plate assembly

## Assembly 22: Transfer belt lift 1



Previous



Next

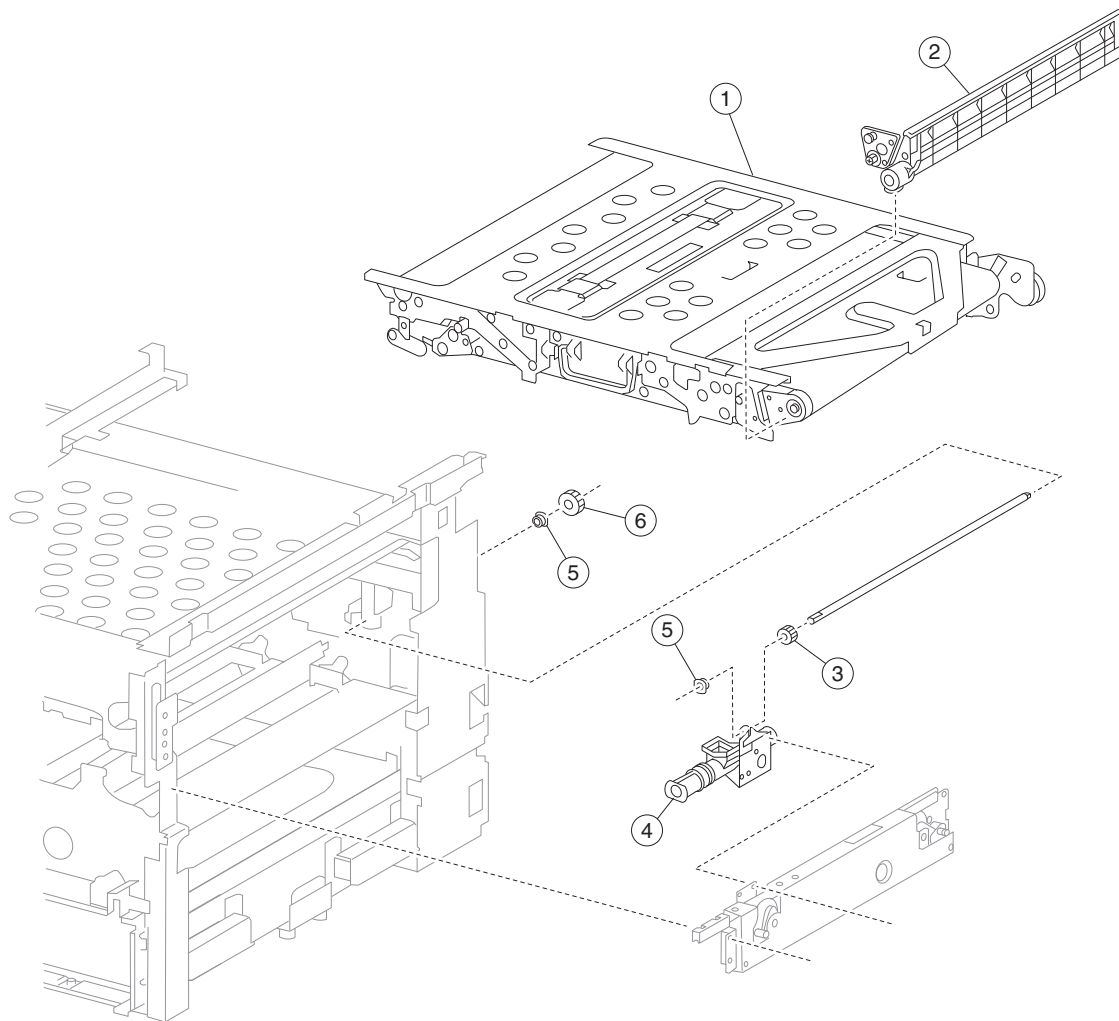


Go Back

Asm-index	Part number	FRUs/ mach	Units/ FRU	Description
1	40X3722	1	1	Right transfer belt lift assembly
2	40X3727	1	1	Transfer belt lift handle assembly
3	40X3723	1	1	Transfer belt lift latch assembly with label
4	40X3721	3	1	Left transfer belt lift assembly



## Assembly 23: Transfer belt



Previous



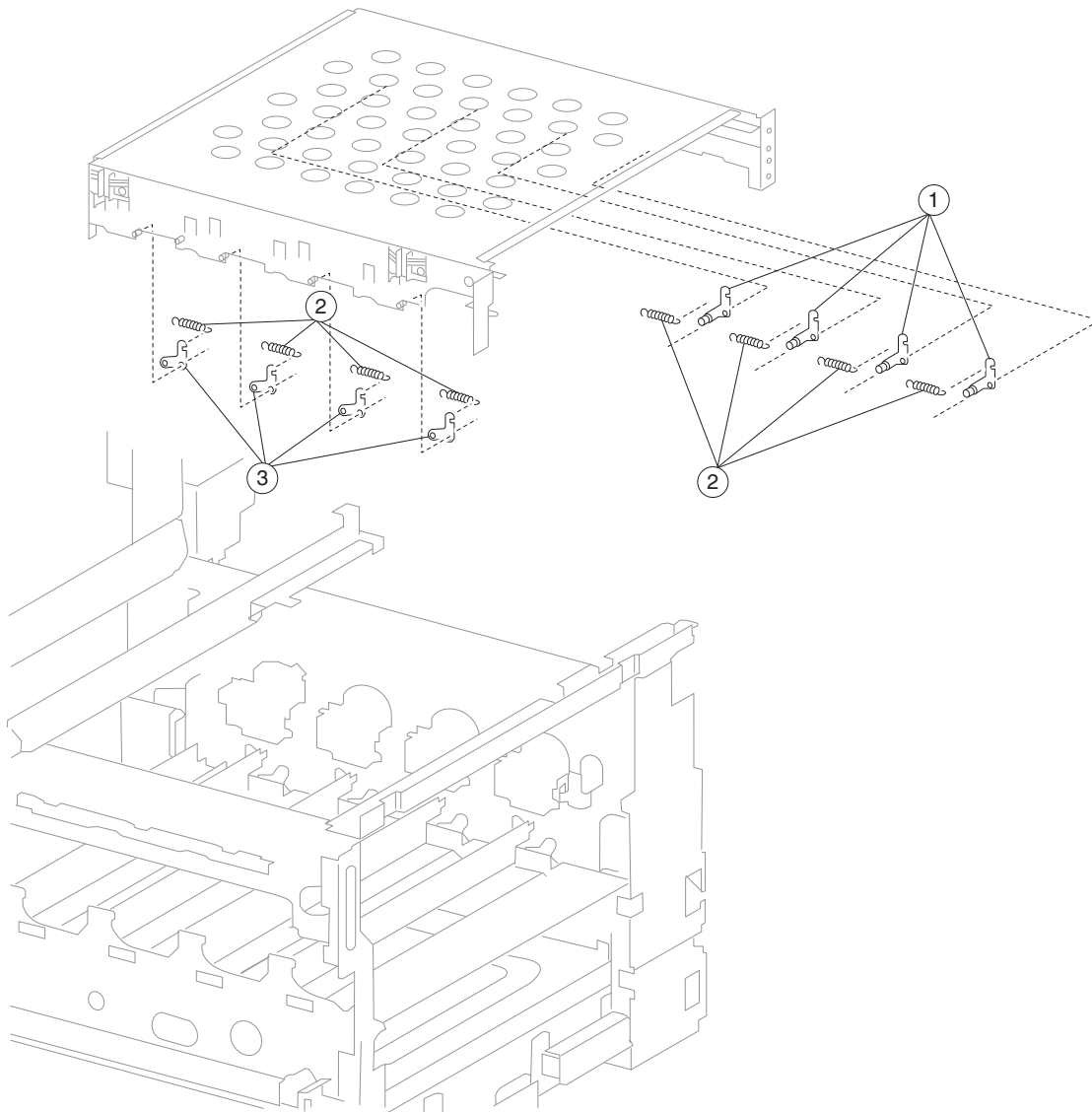
Next



Go Back

Asm-index	Part number	FRUs/ mach	Units/ FRU	Description
1	40X3732	1	1	Transfer belt unit assembly
2	40X3733	1	1	Transfer belt cleaning assembly
3	40X3729	1	1	Transfer belt auger front gear 14T
4	40X3731	1	1	Transfer belt auger assembly
5	40X0880	6	1	Bushing 6 mm
6	40X3730	1	1	Transfer belt auger rear gear 18T

## Assembly 24: Transfer belt lift 2



Previous



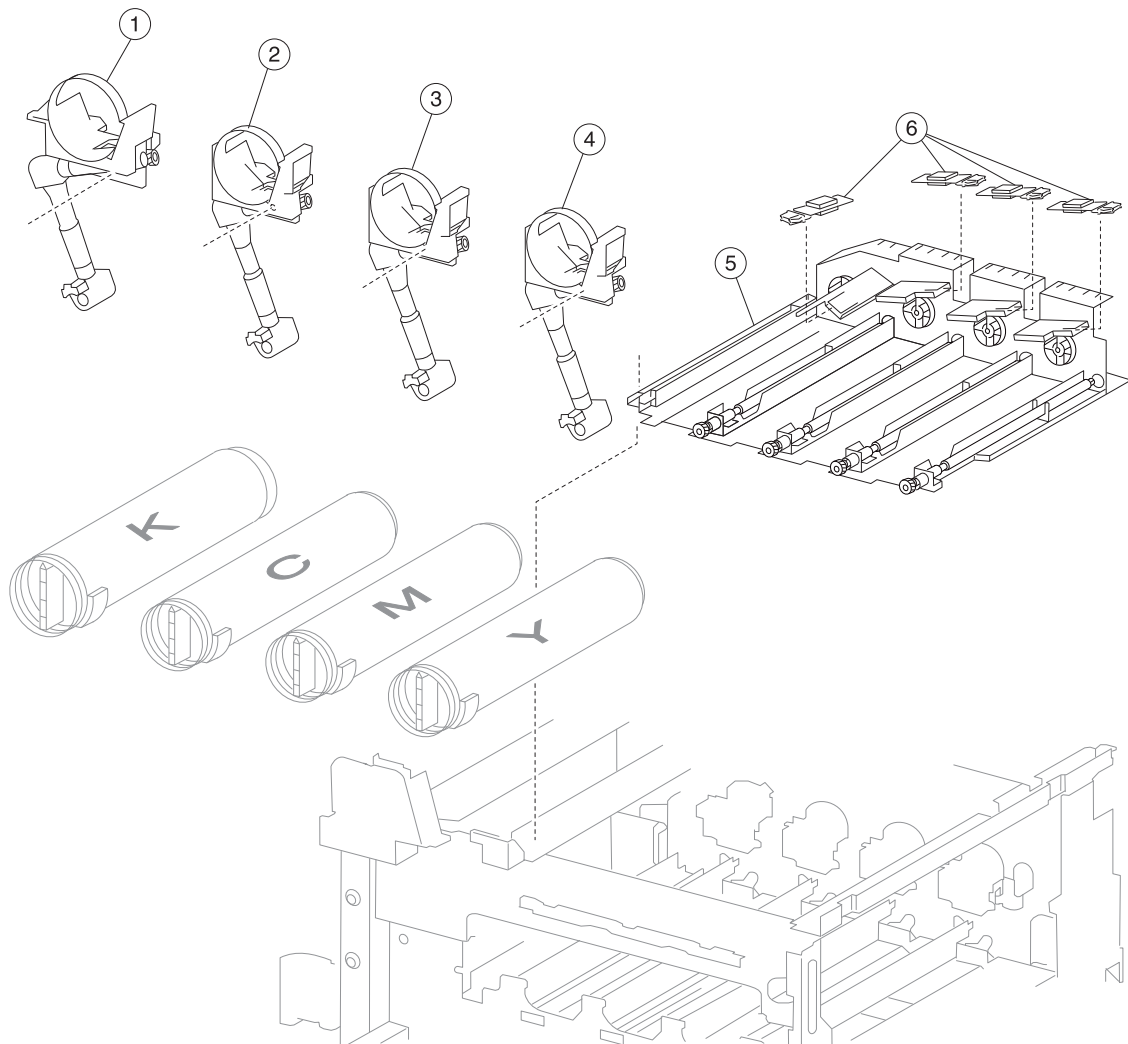
Next



Go Back

Asm-index	Part number	FRUs/ mach	Units/ FRU	Description
1	40X3735	4	1	Transfer belt lift rear plunger assembly
2	40X3734	8	1	Transfer belt lift recoil spring
3	40X3736	4	1	Transfer belt lift front plunger assembly

## Assembly 25: Toner Dispense



Previous



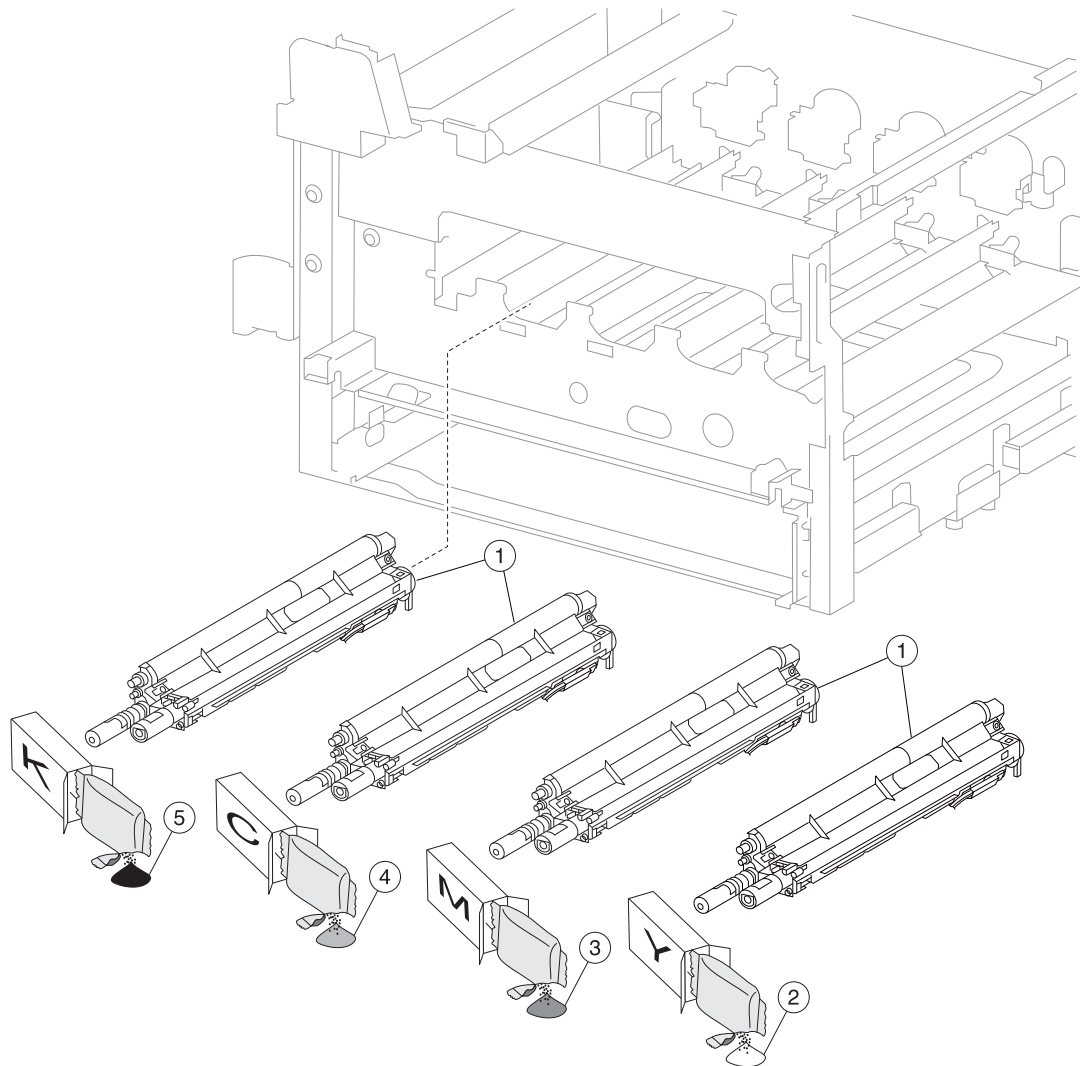
Next



Go Back

Asm-index	Part number	FRUs/mach	Units/FRU	Description
1	40X3740	1	1	K toner dispense assembly
2	40X3739	1	1	C toner dispense assembly
3	40X3738	1	1	M toner dispense assembly
4	40X3737	1	1	Y toner dispense assembly
5	40X3741	1	1	CMYK toner add motor assembly
6	40X0636	4	1	Sensor (RFID toner cartridge)

## Assembly 26: Developer unit assemblies



Previous



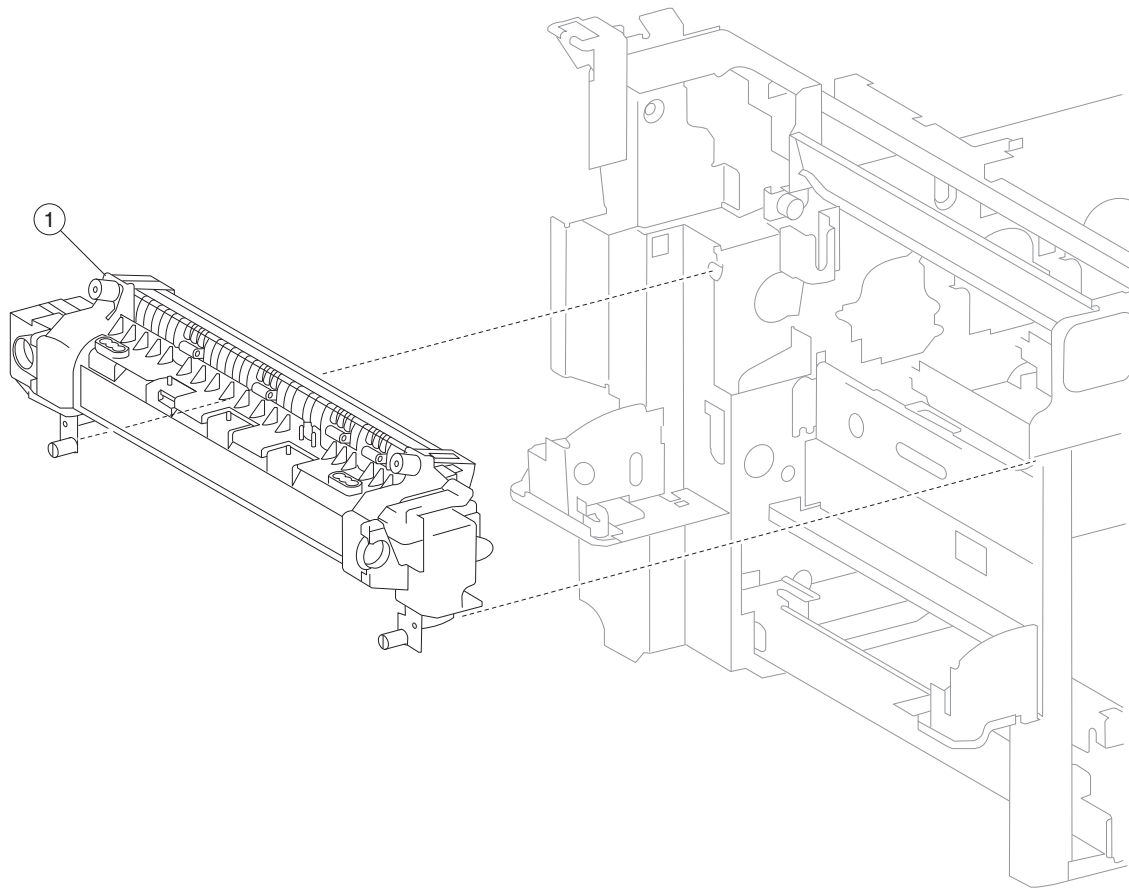
Next



Go Back

Asm-index	Part number	FRUs/mach	Units/FRU	Description
1	40X6788	4	1	Developer unit assembly
2	40X3744	1	1	Y developer carrier
3	40X3745	1	1	M developer carrier
4	40X3746	1	1	C developer carrier
5	40X3743	1	1	K developer carrier

## Assembly 27: Fuser assembly



Previous



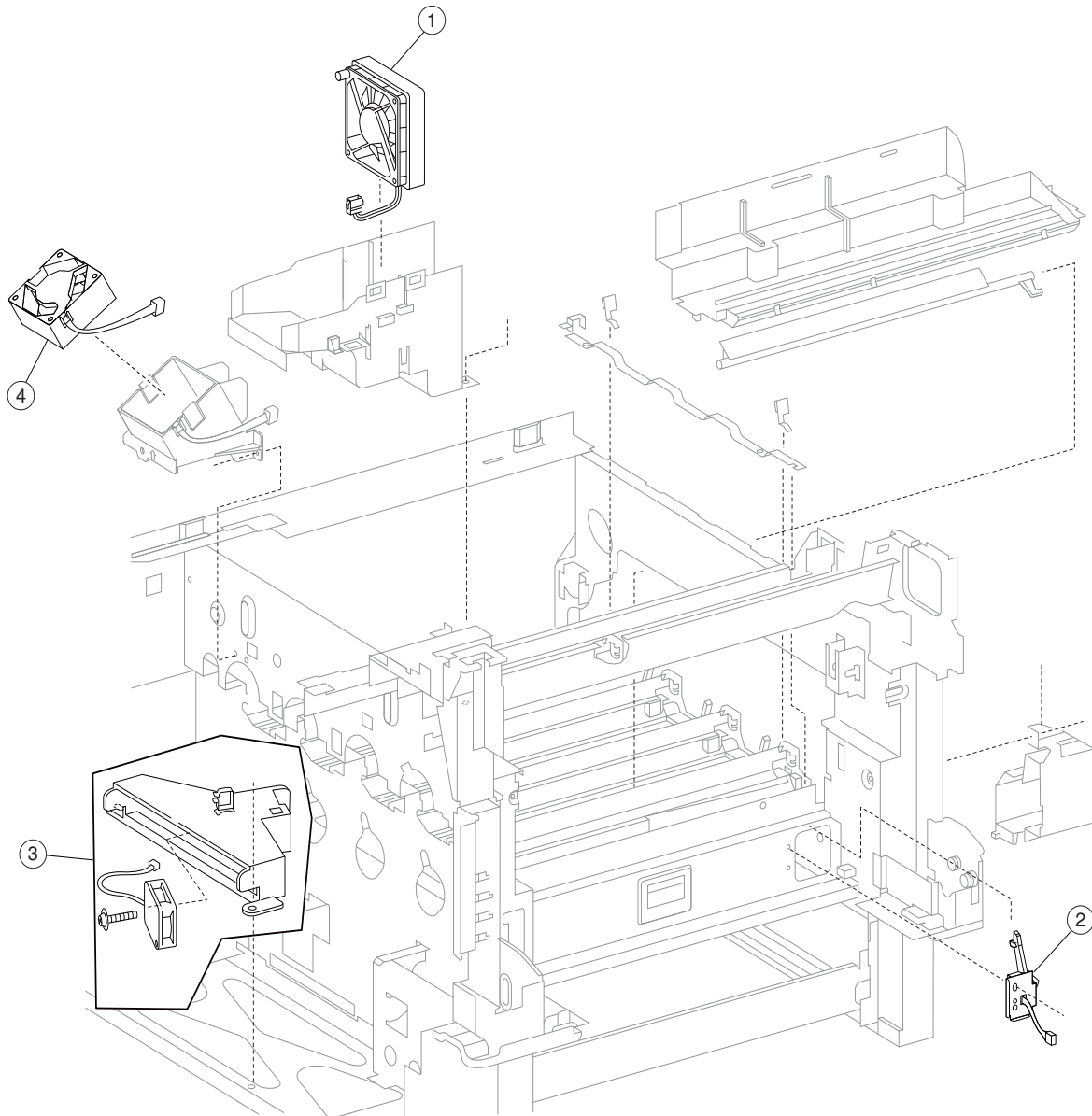
Next



Go Back

Asm-index	Part number	FRUs/ mach	Units/ FRU	Description
1	40X4153	1	1	Fuser assembly 100 V
1	40X3747	1	1	Fuser assembly 110 V
1	40X3748	1	1	Fuser assembly 220 V

## Assembly 28: Cooling fans



Previous



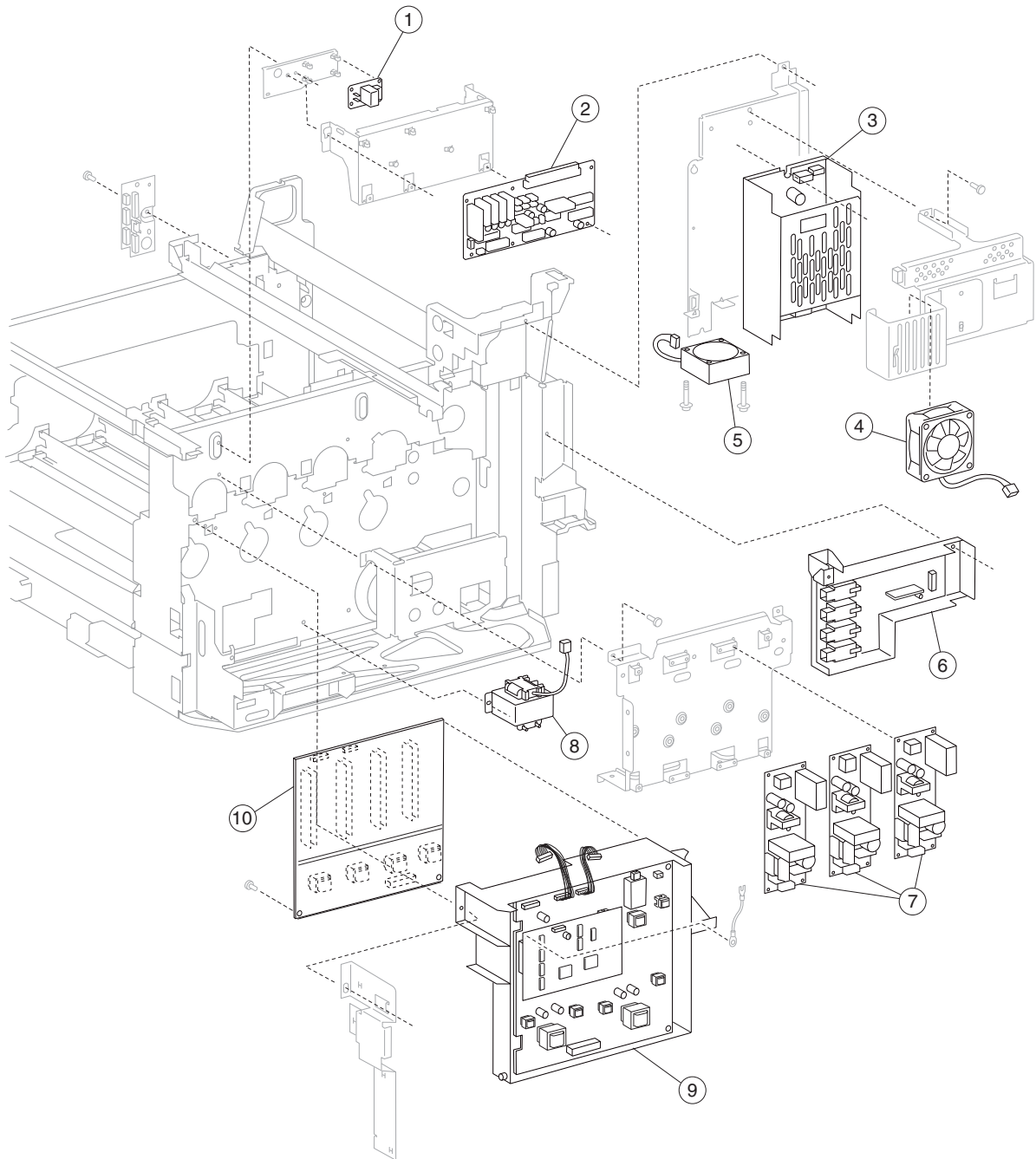
Next



Go Back

Asm-index	Part number	FRUs/ mach	Units/ FRU	Description
1	40X3750	1	1	Fuser cooling fan
2	40X3749	1	1	Printhead shutter motor assembly
3	40X3752	1	1	Rear lower cooling fan assembly (this comes assembled)
4	40X3751	1	1	Transfer belt drive motor cooling fan

# Assembly 29: Electrical 1



Previous



Next



Go Back

**Assembly 29: Electrical 1**

Asm-index	Part number	FRUs/mach	Units/FRU	Description
1	40X3762	1	1	Laser diode power card assembly
2	40X3757	1	1	Lower printer engine card assembly
3	40X3758	1	1	24 V LVPS card assembly
4	40X3763	1	1	Rear upper cooling fan
5	40X3759	1	1	24 V LVPS cooling fan
6	40X3760	1	1	CMYK transfer roll HVPS card assembly
7	40X3755	3	1	5 V LVPS card assembly 110 V
7	40X3756	3	1	5 V LVPS card assembly 220 V
8	40X3761	1	1	Noise filter assembly
9	40X3753	1	1	Developer/transfer roll HVPS card assembly
10	40X3754	1	1	Charge roll HVPS card assembly

Previous



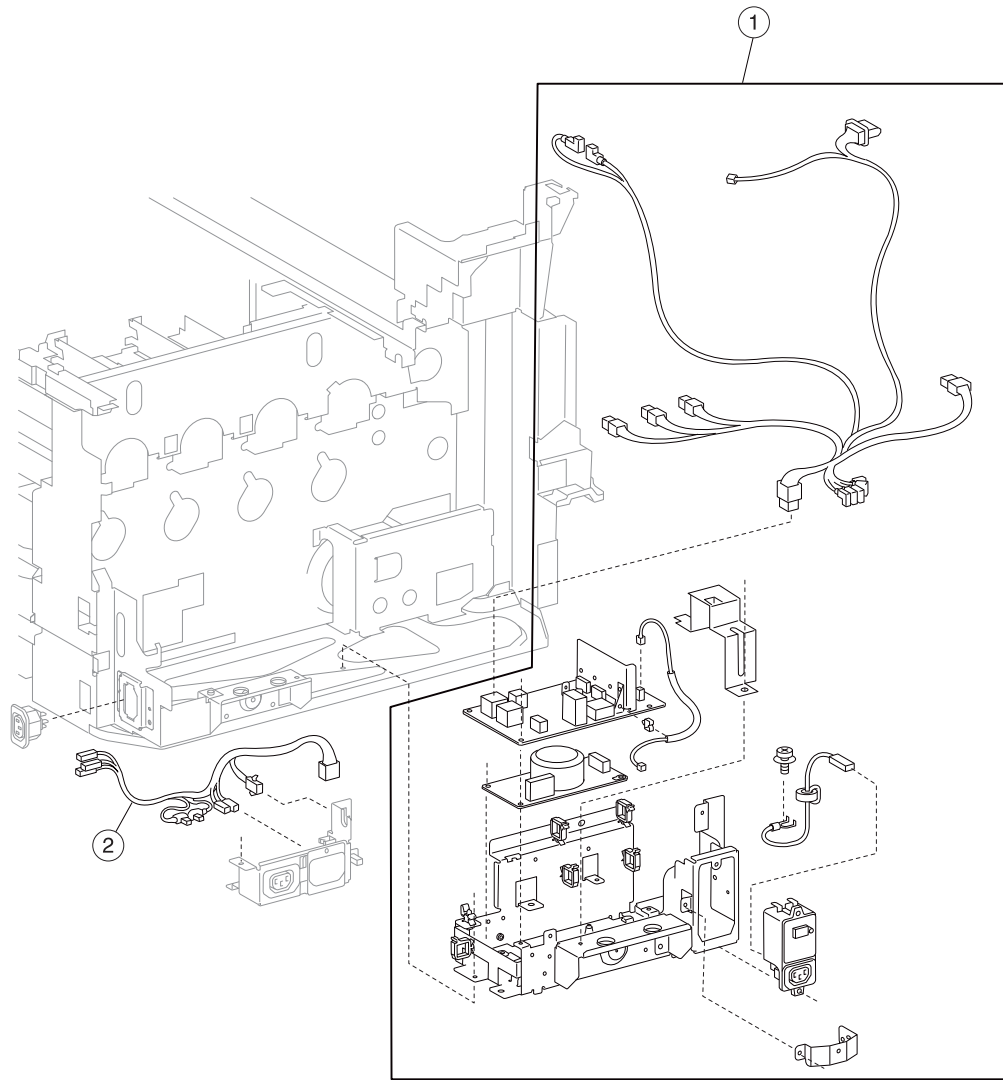
Next



Go Back



## Assembly 30: Electrical 2



Previous



Next



Go Back

Asm-index	Part number	FRUs/ mach	Units/ FRU	Description
1	40X3764	1	1	AC drive card bracket assembly 110 V (this comes assembled)
1	40X3765	1	1	AC drive card bracket assembly 220 V (this comes assembled)
2	40X3766	1	1	Outlet power panel cable assembly

### Assembly 31: Electrical 3

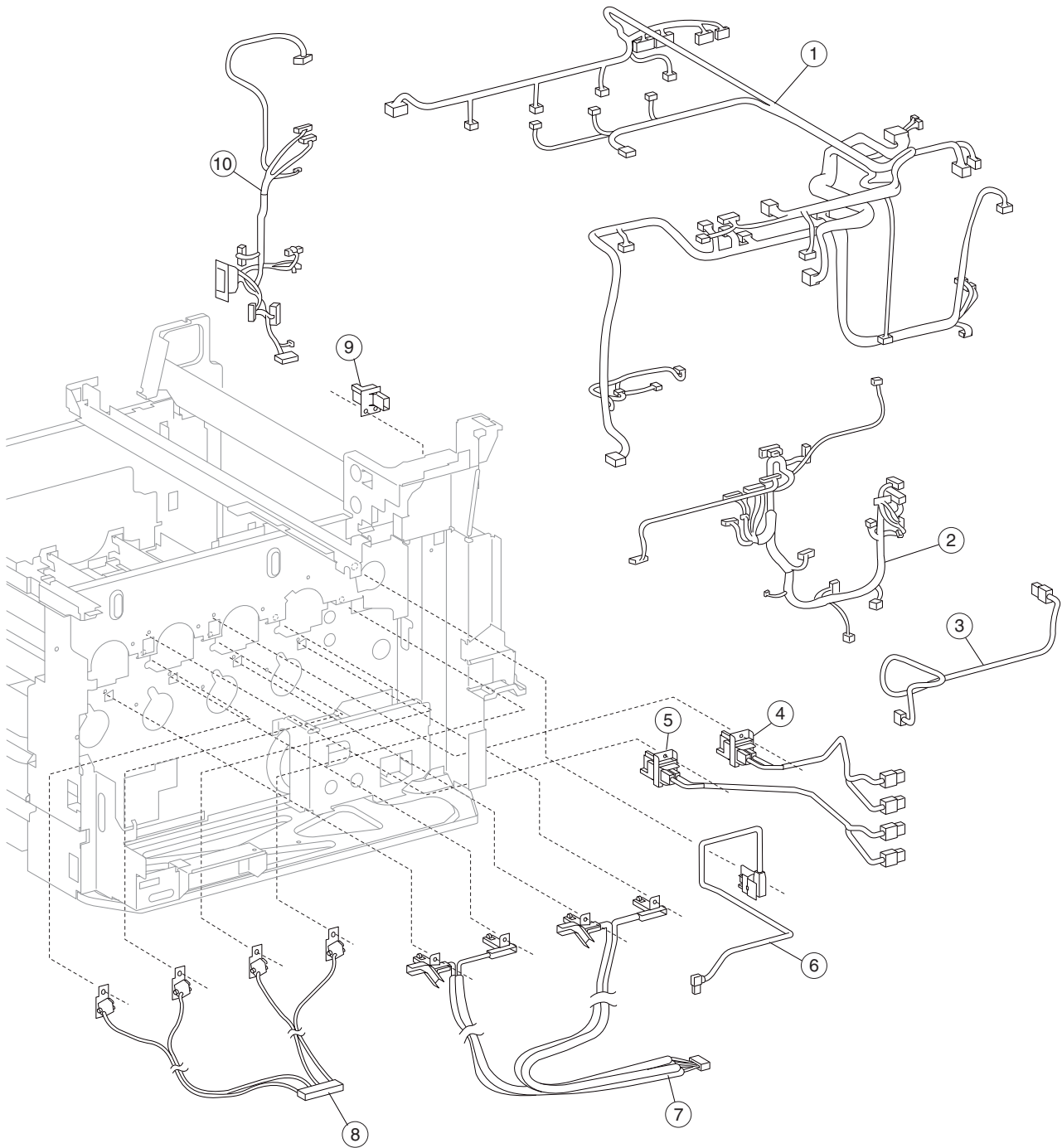
Previous



Next



Go Back



**Assembly 31: Electrical 3**

Asm-index	Part number	FRUs/ mach	Units/ FRU	Description
1	40X3775	1	1	DC main cable assembly
2	40X3776	1	1	DC rear right cable assembly
3	40X3774	1	1	2nd transfer charge roll cable
4	40X3771	1	1	CK transfer roll cable assembly
5	40X3770	1	1	YM transfer roll cable assembly
6	40X3772	1	1	Transfer belt charge cable
7	40X3769	1	1	Charge roll block cable assembly
8	40X3768	1	1	Developer block cable assembly
9	40X3773	1	1	2nd transfer roll charge connector
10	40X3777	1	1	DC rear left cable assembly

Previous

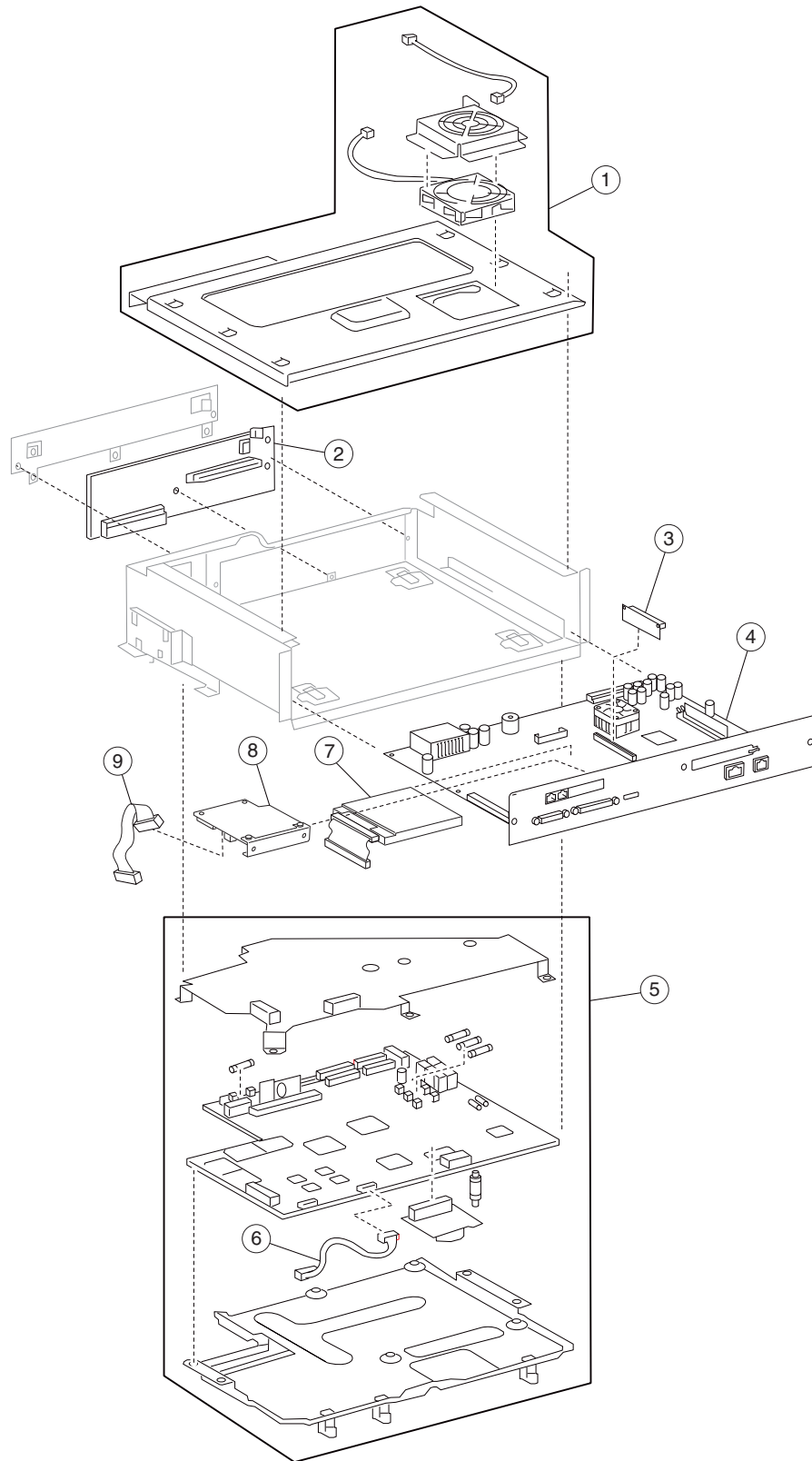


Next



Go Back

### Assembly 32: Electrical 4



Previous




Next



Go Back

## Assembly 32: Electrical 4

Asm-index	Part number	FRUs/mach	Units/FRU	Description
1	40X3804	1	1	RIP card cooling fan cover assembly (this comes assembled)
2	40X3807	1	1	RIP bridge card assembly
3	40X2359	1	1	Interconnect card assembly
4	40X5865	1	1	MFP RIP card assembly (X940e, X945e model)
4	40X4407	1	1	MFP RIP card assembly (XC940e, XC945e model)
5	40X3808	1	1	Upper printer engine card chassis assembly
				 <b>Warning:</b> Upon replacement, ensure that the NVM board is removed from the defective PCBA and installed to the new PCBA or damage to the machine may occur. For more details, go to <a href="#">page 90</a> .
6	40X4081	1	1	Upper printer engine card cable assembly
7	40X4151	1	1	Hard drive assembly includes: <ul style="list-style-type: none"> <li>• 2.5" 80GB hard drive</li> <li>• Data cable</li> <li>• Mounting bracket with hardware</li> </ul>
8	40X2360	1	1	Fax interface card assembly
9	40X0507	1	1	Fax interface card cable assembly

**WARNING:** In the event of replacement of any one of the following components:

- RIP card assembly
- Interconnect card assembly

Only replace one component at a time. Replace the required component, and perform a POR before replacing a second component listed above. If this procedure is not followed, the printer will be rendered inoperable. Never replace two or more of the components listed above without a POR after installing each one, or the printer will be rendered inoperable.

**WARNING:** Never install and remove components listed above as a method of troubleshooting components. Once a component has been installed in a machine, it cannot be used in another machine. It must be returned to the manufacturer.

Previous

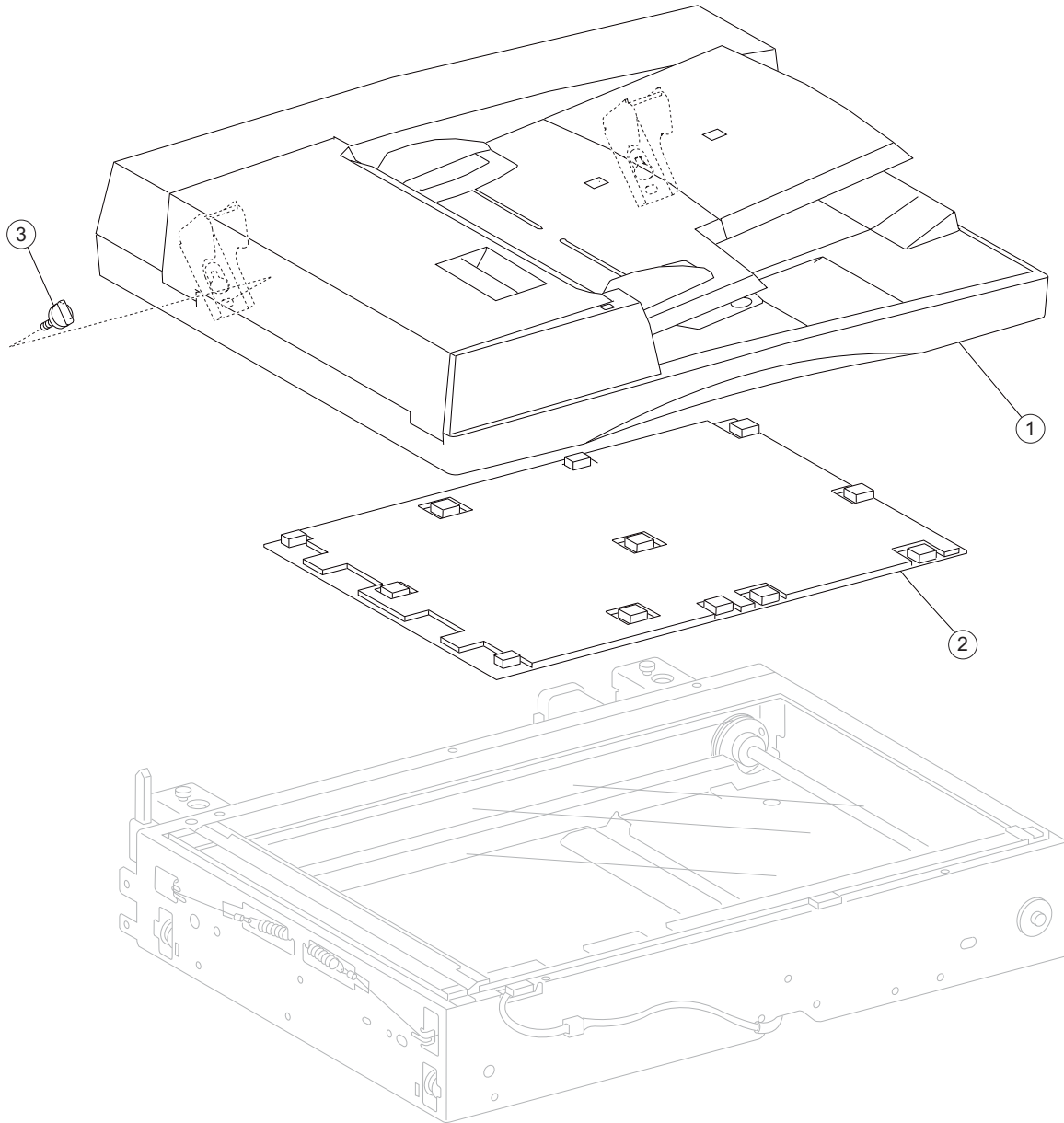


Next



Go Back

## Assembly 33: ADF assembly



Previous



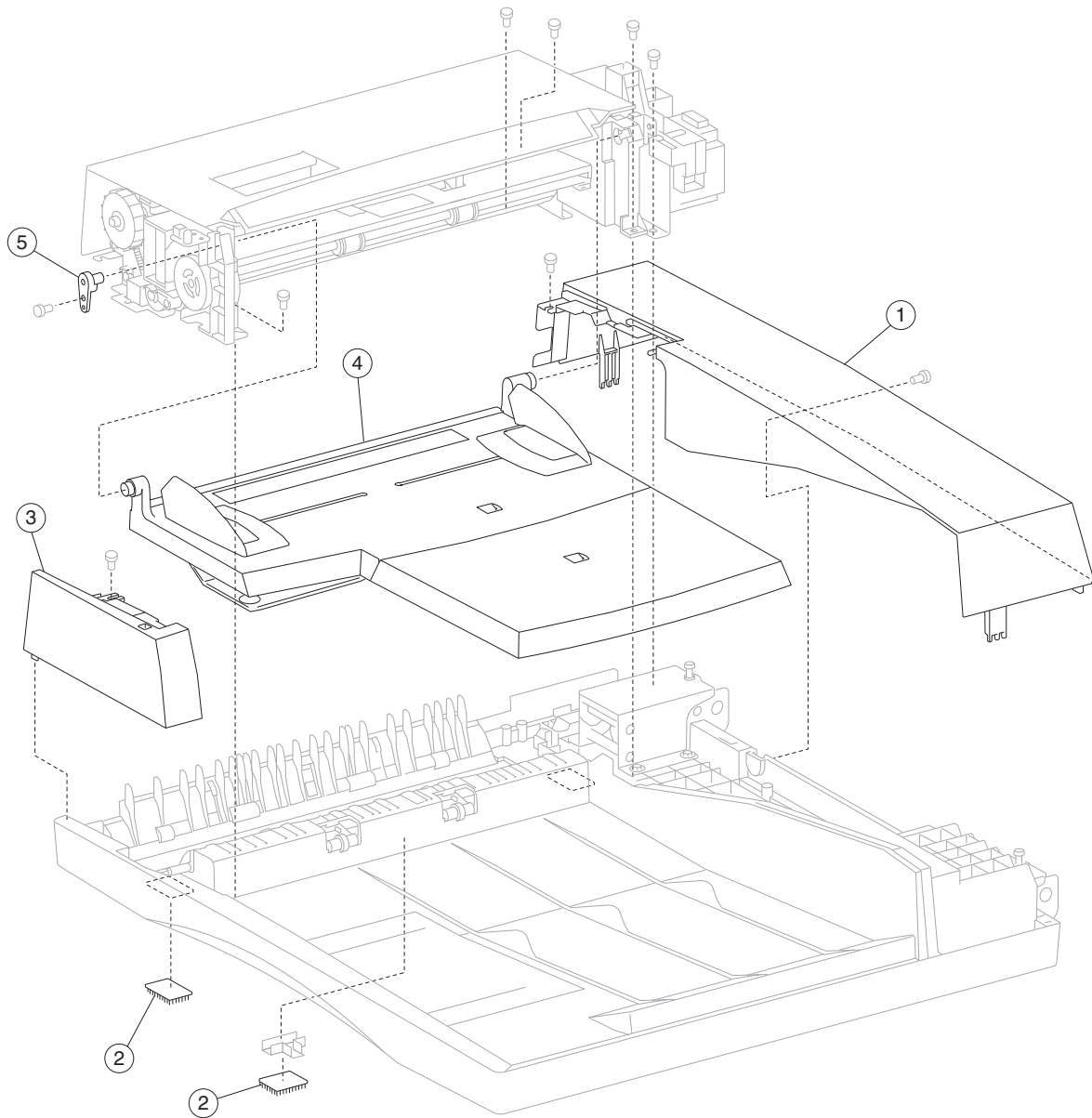
Next



Go Back

Asm Index	Part number	Units/mach	Units/kit or pkg	Description
1	40X3879	1	1	ADF unit assembly (this comes assembled)
2	40X2239	1	1	Platen cushion
3	40X2238	2	1	ADF mounting screw

## Assembly 34: ADF covers and components



Previous



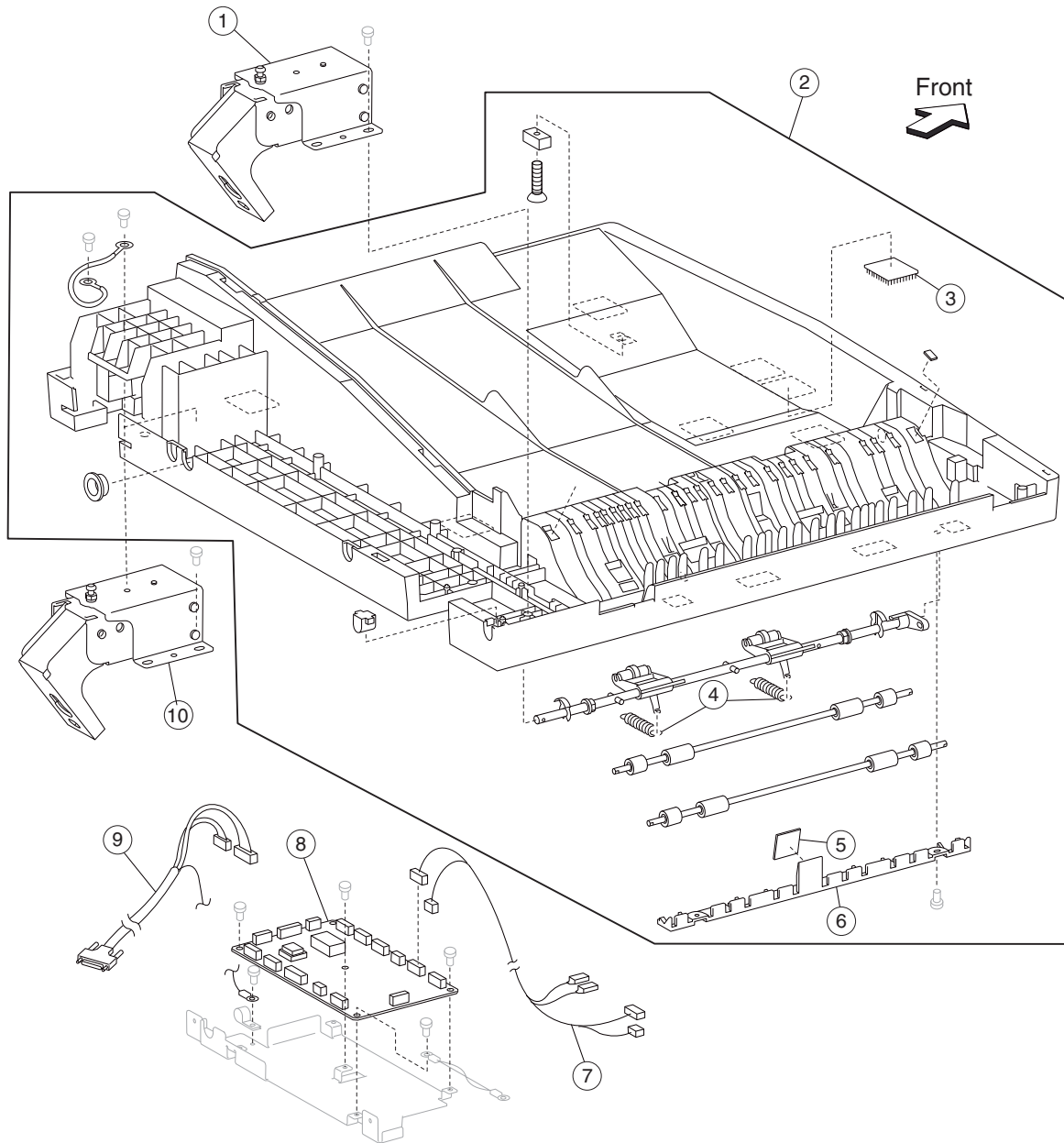
Next



Go Back

Asm Index	Part number	Units/mach	Units/kit or pkg	Description
1	40X2244	1	1	ADF rear cover
2	40X2246	2	1	Small hook/loop strip
3	40X2245	1	1	ADF front cover assembly
4	40X3880	1	1	Document tray assembly (this comes assembled)
5	40X2243	1	1	Document tray hinge

### Assembly 35: ADF base



Previous



Next



Go Back



**Assembly 35: ADF base**

Asm Index	Part number	Units/mach	Units/kit or pkg	Description
1	40X2257	1	1	ADF left hinge
2	40X3883	1	1	ADF registration pinch/frame assembly (this comes assembled)
3	40X2247	7	1	Large hook/loop strip
4	40X2330	5	1	Spring
5	40X2354	1	1	Registration pad
6	40X4104	1	1	Registration pad cover
7	40X2248	1	1	Solenoid/interlock cable assembly
8	40X5978	1	1	ADF controller card assembly
9	40X2259	1	1	ADF interface cable assembly
10	40X2258	1	1	ADF right hinge

Previous

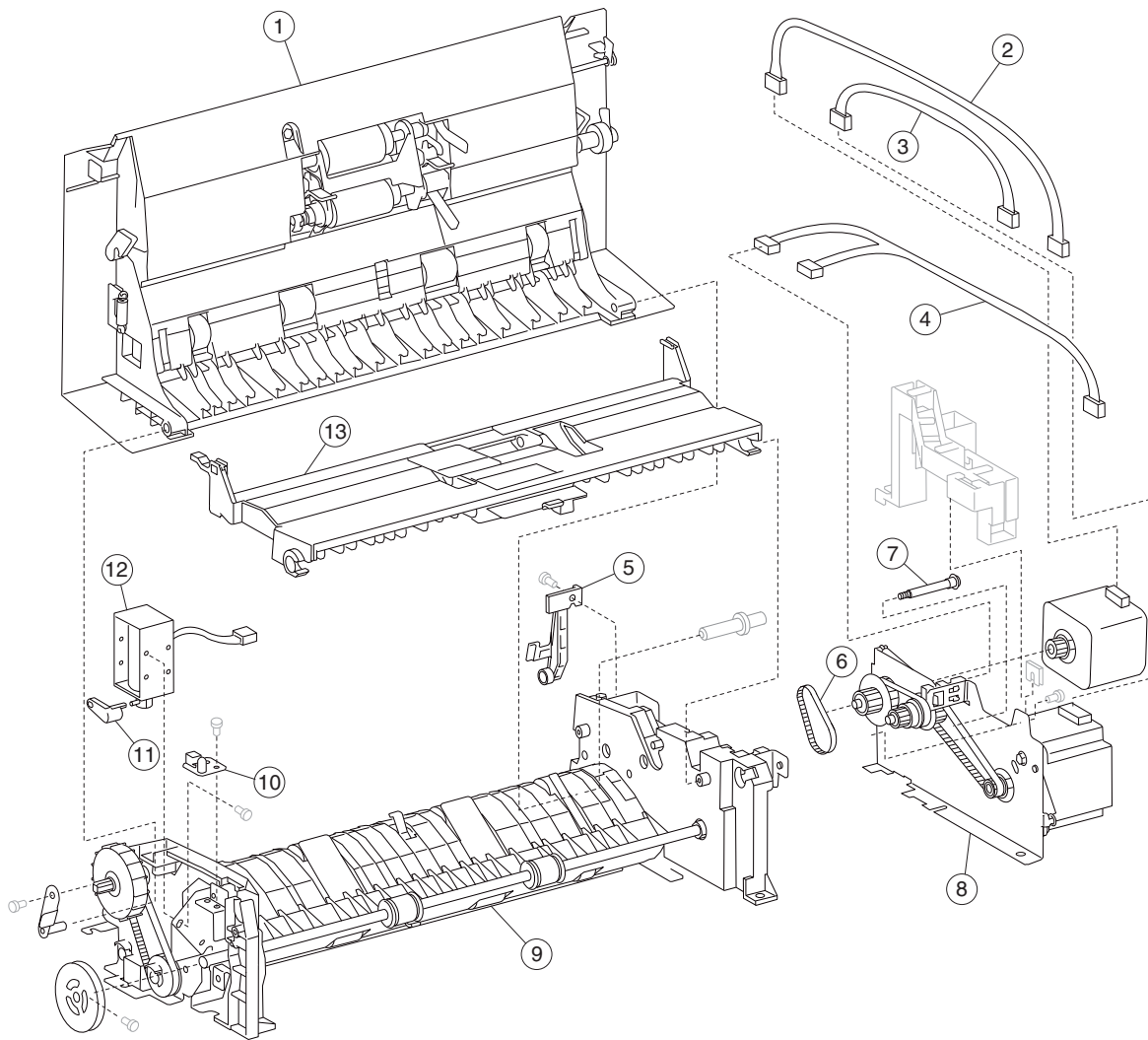


Next



Go Back

### Assembly 36: ADF feeder



Previous



Next



Go Back

**Assembly 36: ADF feeder**

Asm Index	Part number	Units/mach	Units/kit or pkg	Description
1	40X3884	1	1	ADF left cover assembly (this comes assembled)
2	40X2265	1	1	Registration motor cable assembly
3	40X2266	1	1	ADF feed motor cable assembly
4	40X2264	1	1	Document set/sheet through cable assembly
5	40X2267	1	1	Left cover hinge retainer
6	40X2270	1	1	Registration main drive belt
7	40X2269	1	1	Stud screw
8	40X2327	1	1	ADF feed motor assembly (this comes assembled)
9	40X2383	1	1	ADF main feed assembly (this comes assembled)
10	40X2272	1	1	Document set LED
11	40X2256	1	1	Inverter lever
12	40X2271	1	1	Inverter solenoid assembly
13	40X2273	1	1	Separation roll guide assembly (this comes assembled)

Previous

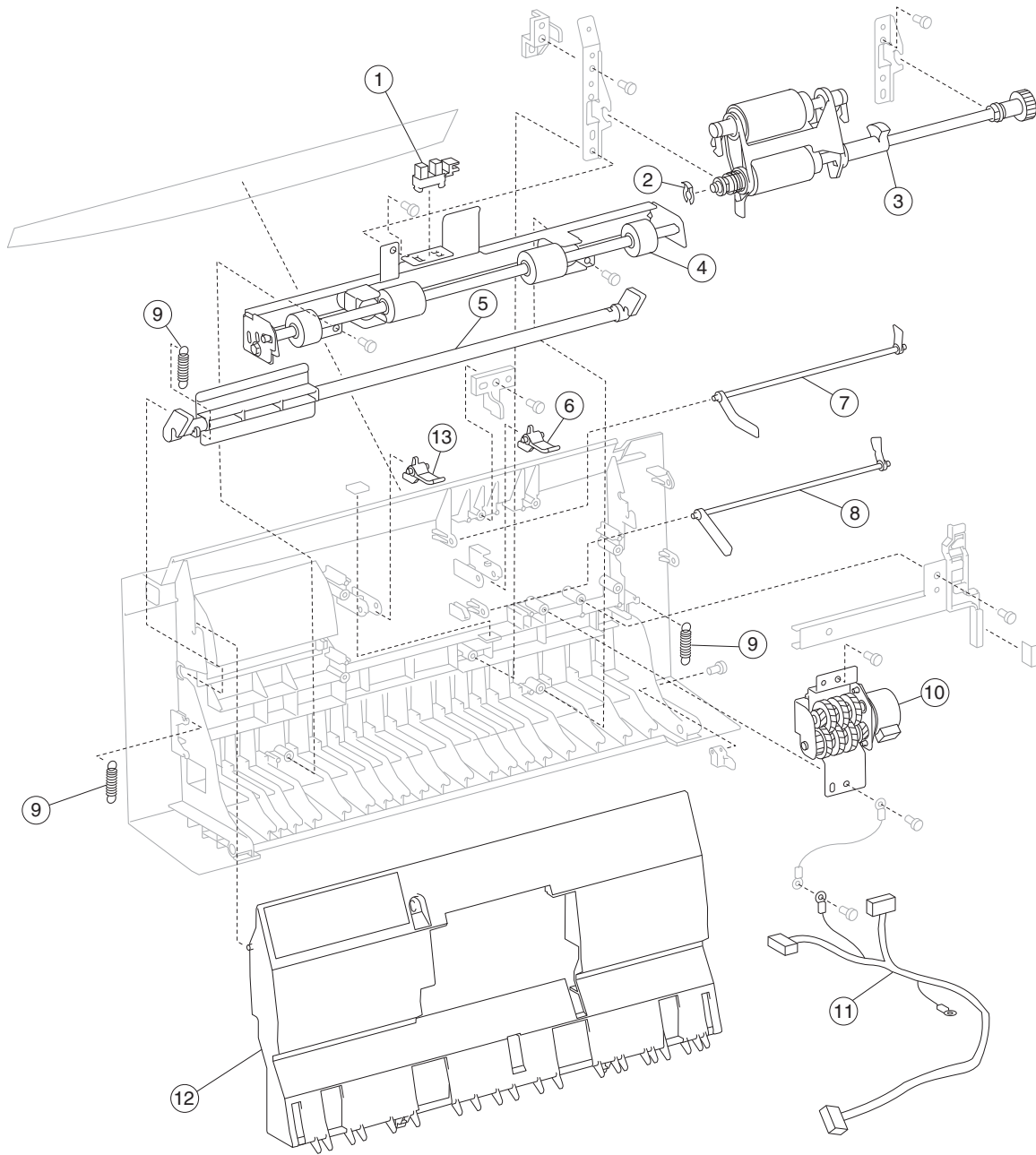


Next



Go Back

### Assembly 37: ADF left cover components



Previous



Next



Go Back

## Assembly 37: ADF left cover components

Asm Index	Part number	Units/mach	Units/kit or pkg	Description
1	40X2223	13	1	Sensor (pick roll position HP)
2	40X2291	3	4	Plastic ring clip 6 mm
3	40X3887	1	1	ADF feed/pick roll assembly (this comes assembled)
4	40X2276	1	1	Left cover pinch roll assembly (this comes assembled)
5	40X2274	1	1	ADF left cover handle
6	40X2381	1	1	Document set rear stop
7	40X2283	1	1	Document set actuator
8	40X2275	1	1	Sheet through actuator
9	40X2330	5	1	Spring
10	40X2277	1	1	Pick roll position motor assembly
11	40X2278	1	1	Pick roll position cable assembly
12	40X2321	1	1	Left cover media guide
13	40X2279	1	1	Document set front stop

Previous

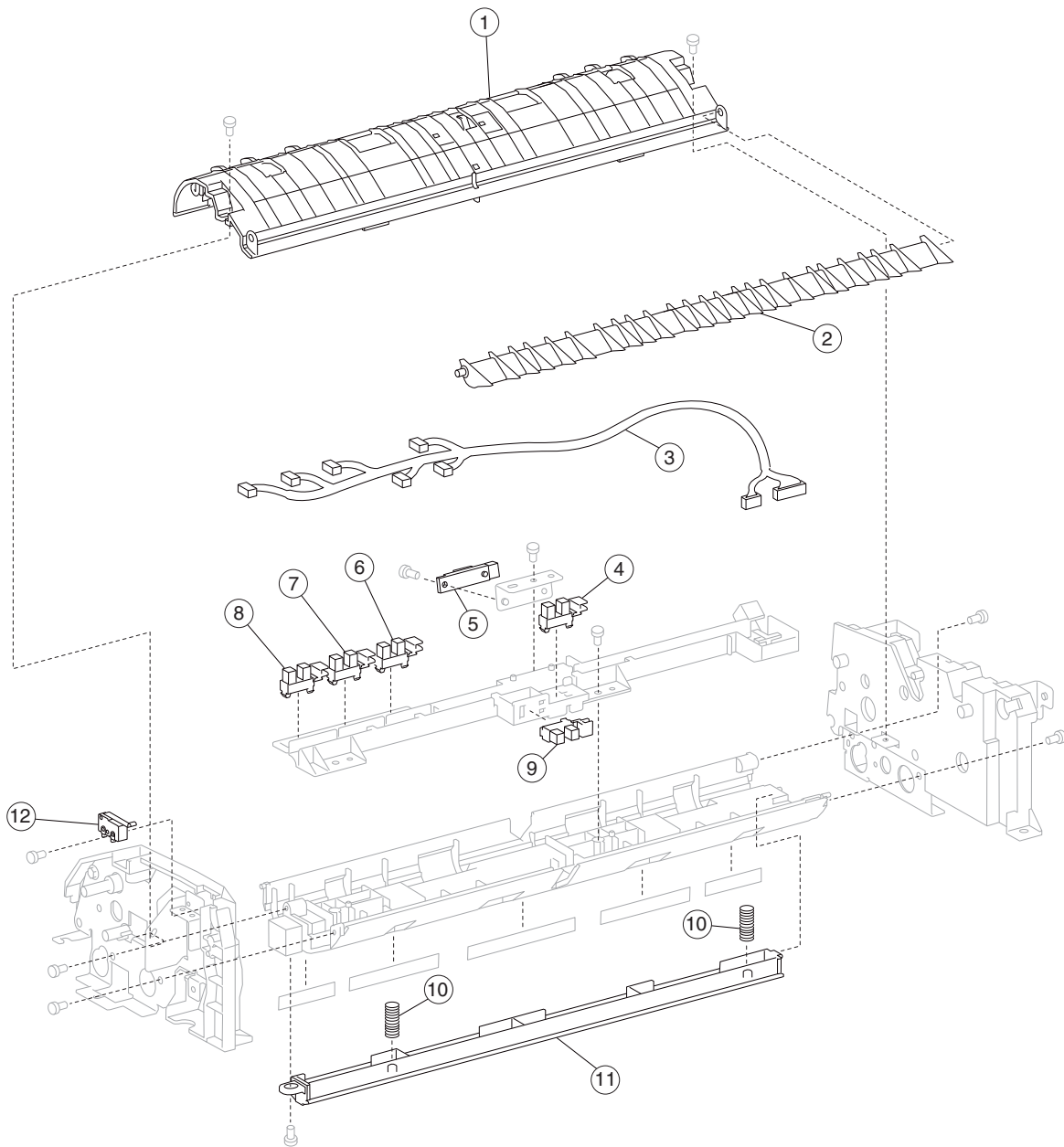


Next



Go Back

# Assembly 38: ADF media guide



Previous



Next



Go Back

## Assembly 38: ADF media guide

Asm Index	Part number	Units/mach	Units/kit or pkg	Description
1	40X3890	1	1	Actuator/media guide assembly (this comes assembled)
2	40X2289	1	1	Inverter gate
3	40X2288	1	1	ADF main feed cable assembly
4	40X2223	1	1	Sensor (ADF pre-registration)
5	40X0589	1	1	Sensor (ADF registration)
6	40X2223	13	1	Sensor (ADF width APS 1)
7	40X2223	13	1	Sensor (ADF width APS 2)
8	40X2223	13	1	Sensor (ADF width APS 3)
9	40X2223	13	1	Sensor (ADF inverter)
10	40X3889	2	1	Media scan guide spring
11	40X3888	1	1	Media scan guide
12	40X2286	1	1	Switch (ADF left cover interlock)

Previous

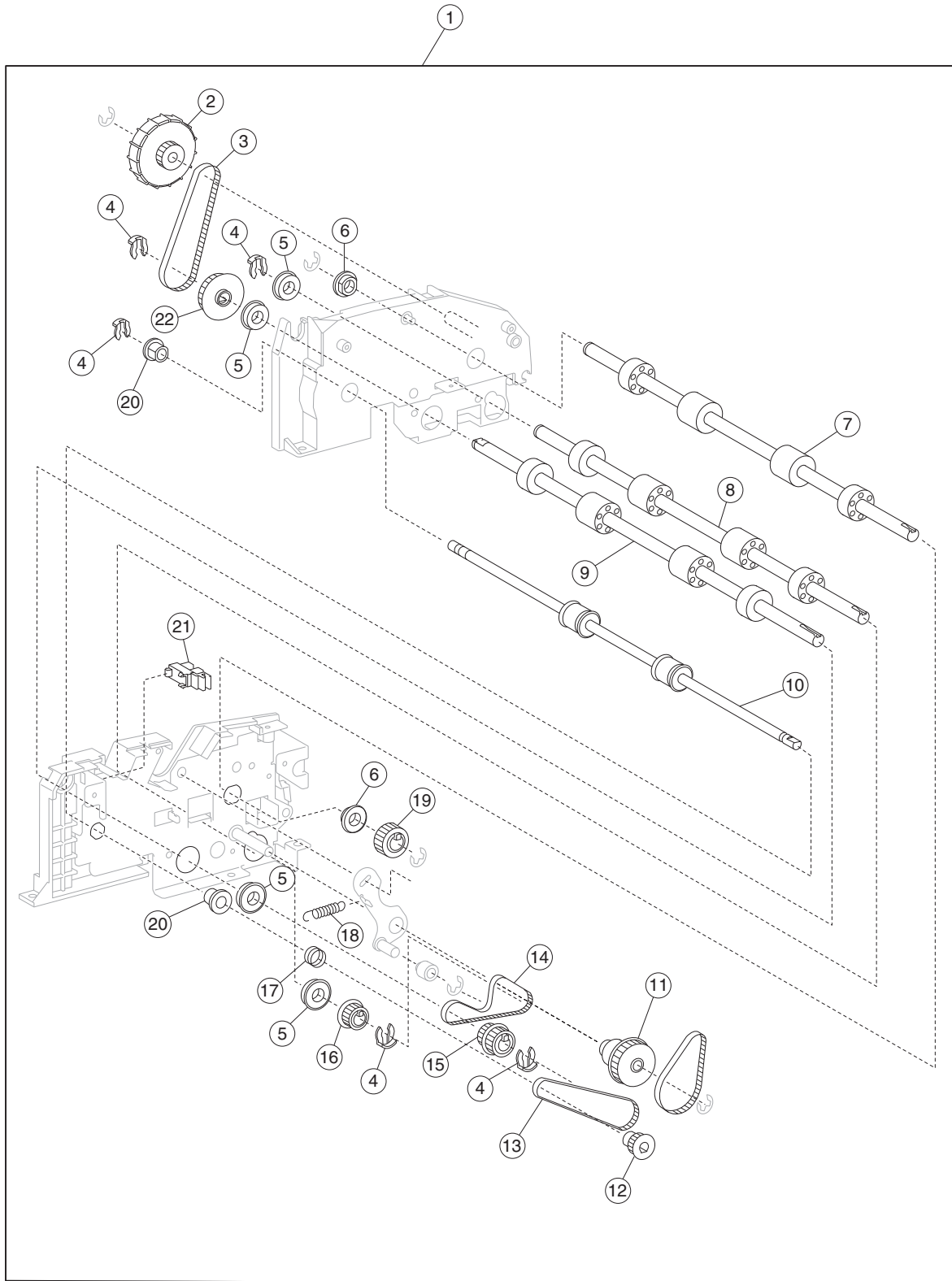


Next



Go Back

### Assembly 39: ADF feeder roll



Previous



Next



Go Back



**Assembly 39: ADF feeder roll**

Asm Index	Part number	Units/mach	Units/kit or pkg	Description
1	40X2383	1	1	ADF main feed assembly (this comes assembled)
2	40X2346	1	1	Manual feed drive wheel
3	40X2345	1	1	Manual feed drive belt
4	40X2291	3	4	Plastic ring clip kit includes: <ul style="list-style-type: none"> <li>• Plastic ring clip 6 mm</li> <li>• Plastic ring clip 8 mm</li> </ul>
5	40X2337	4	1	Bearing 8 mm
6	40X2339	2	1	Bushing 8 mm
7	40X2336	1	1	ADF transport roll assembly
8	40X2333	1	1	ADF registration roll assembly
9	40X2334	1	1	ADF feed-out roll assembly
10	40X2335	1	1	ADF exit roll assembly
11	40X2349	1	1	Registration main drive pulley 21/54T
12	40X2342	1	1	Exit roll drive pulley 20T
13	40X2347	1	1	Exit roll drive belt
14	40X2350	1	1	Registration secondary drive belt
15	40X2341	1	1	Exit/feed-out roll drive pulley 25/28T
16	40X2340	1	1	Registration roll drive pulley 28T
17	40X2351	1	1	Retainer spring
18	40X2348	1	1	Tension spring
19	40X2343	1	1	Transport roll drive gear 20T
20	40X2338	2	1	Bushing 6 mm
21	40X2223	13	1	Sensor (document set)
22	40X2344	1	1	Manual feed drive pulley

Previous

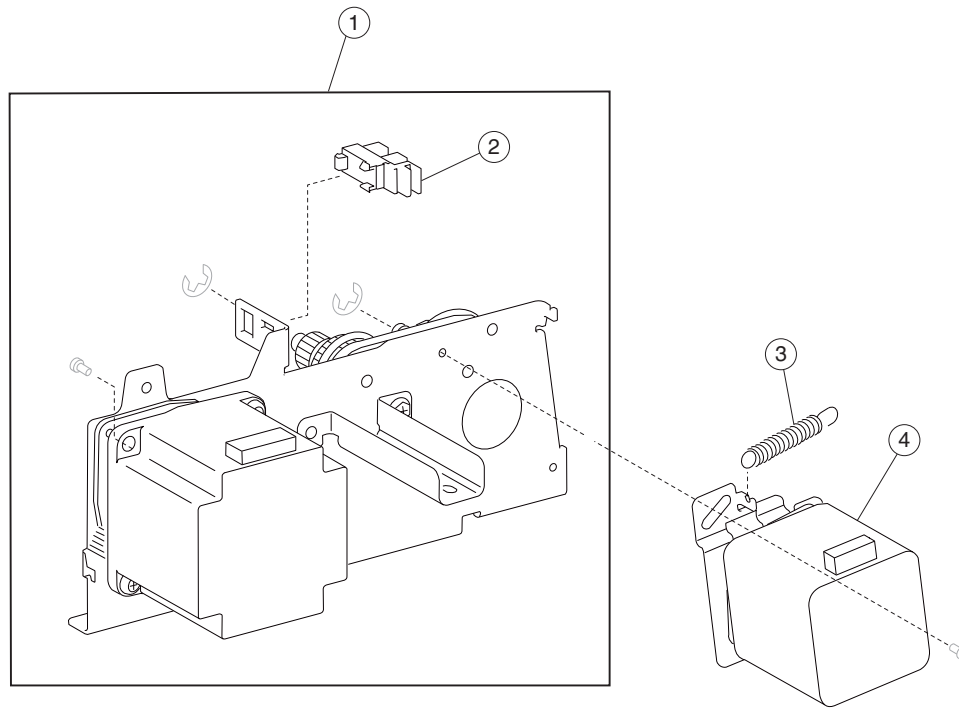


Next



Go Back

## Assembly 40: ADF motor unit



Previous



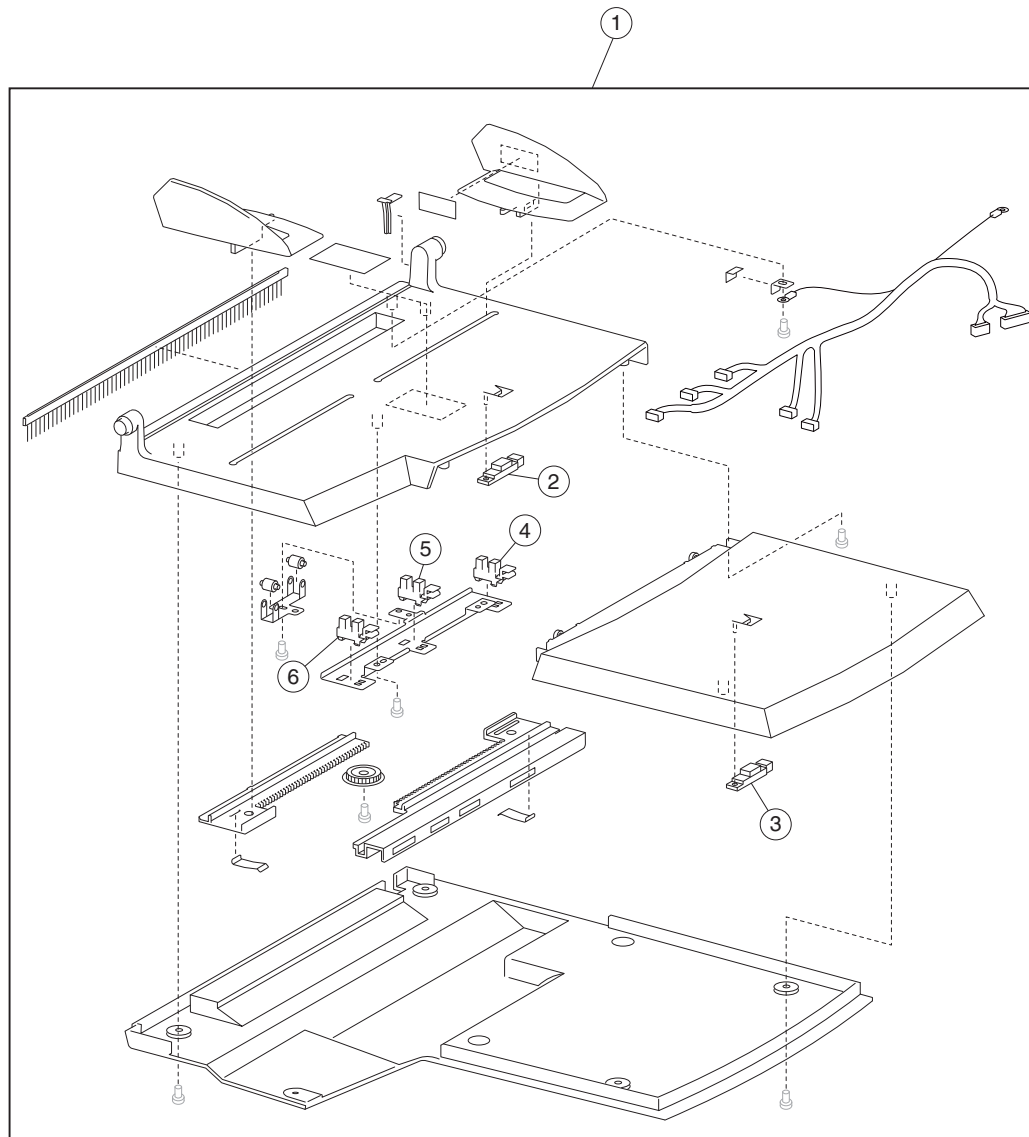
Next



Go Back

Asm Index	Part number	Units/mach	Units/kit or pkg	Description
1	40X2327	1	1	ADF feed motor assembly (this comes assembled)
2	40X2223	13	1	Sensor (sheet through)
3	40X2229	1	1	Tension spring
4	40X2325	1	1	ADF registration motor

## Assembly 41: ADF document tray



Previous



Next

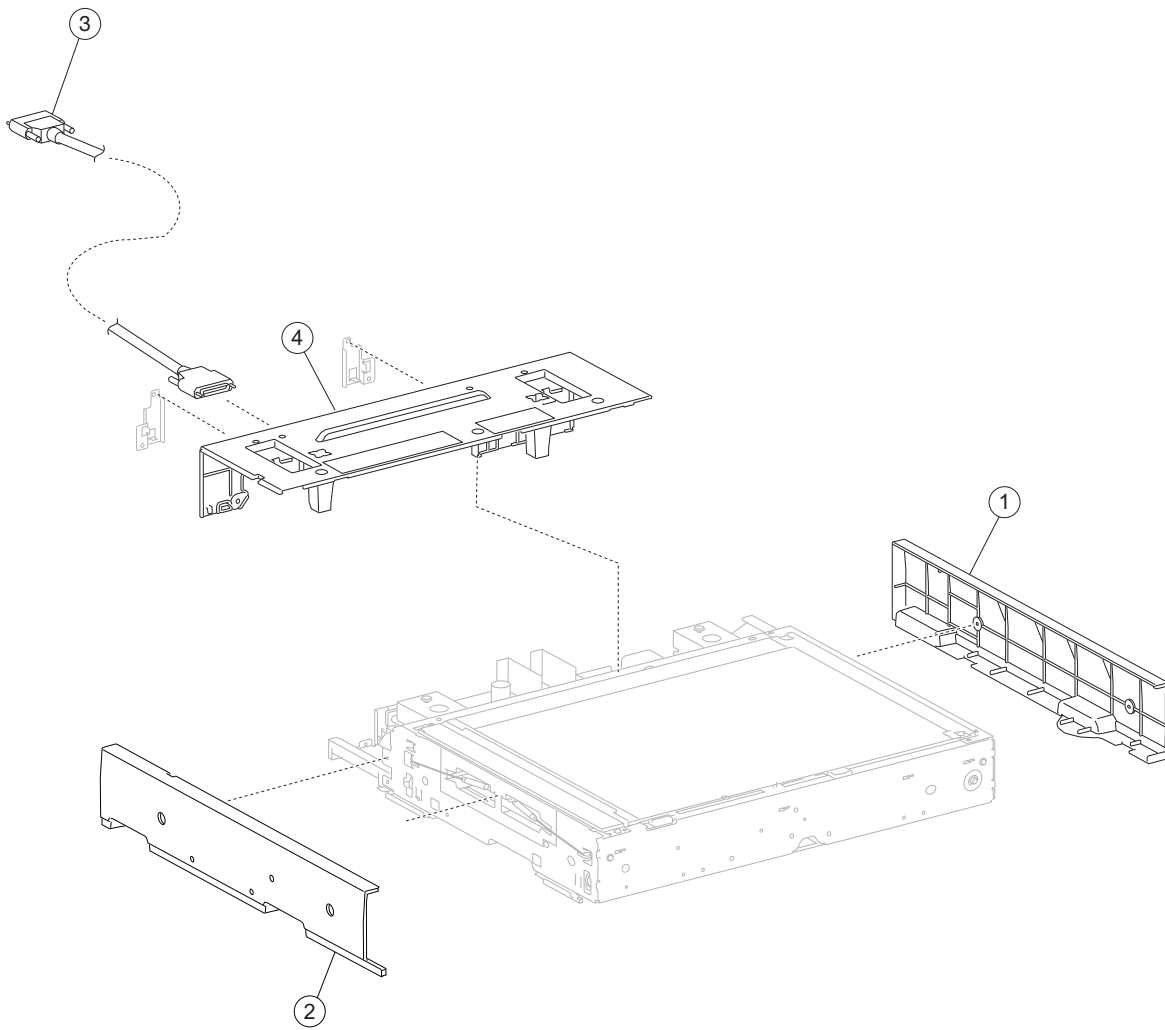


Go Back

Asm Index	Part number	Units/mach	Units/kit or pkg	Description
1	40X3880	1	1	Document tray assembly (this comes assembled)
2	40X3892	1	1	Sensor (document tray length 1)
3	40X3892	1	1	Sensor (document tray length 2)
4	40X2223	1	1	Sensor (document tray width 1)
5	40X2223	1	1	Sensor (document tray width 2)
6	40X2223	1	1	Sensor (document tray width 3)

**Note:** Assembly index items 2, 3, 4, 5 and 6 are identical sensors with different functions; therefore, they are the same part number with different descriptions.

## Assembly 42: Scanner covers



Previous



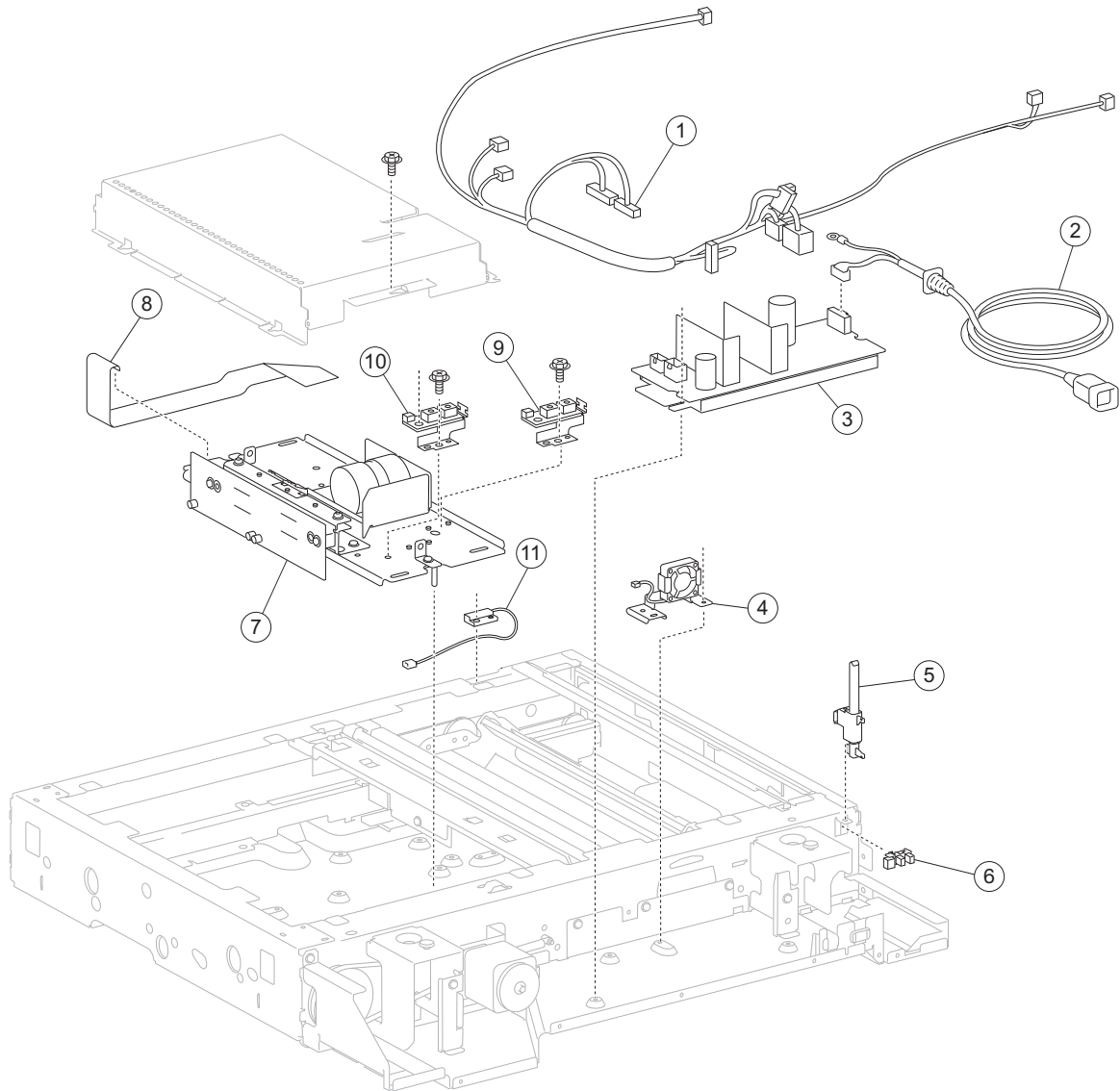
Next



Go Back

Asm Index	Part number	Units/mach	Units/kit or pkg	Description
1	40X3852	1	1	Scanner right cover
2	40X3851	1	1	Scanner left cover
3	40X3855	1	1	Scanner interface cable assembly
4	40X3856	1	1	Scanner rear cover assembly

## Assembly 43: CCD lens assembly



Previous



Next



Go Back

**Assembly 43: CCD lens assembly**

Asm Index	Part number	Units/mach	Units/kit or pkg	Description
1	40X3867	1	1	Scanner main cable assembly
2	40X3864	1	1	Scanner LVPS cable assembly 110 V
2	40X4037	1	1	Scanner LVPS cable assembly 220 V
3	40X3865	1	1	Scanner LVPS card assembly 110 V
3	40X3866	1	1	Scanner LVPS card assembly 220 V
4	40X3862	1	1	Scanner LVPS cooling fan assembly
5	40X2224	1	1	ADF angle actuator assembly
6	40X2223	2	1	Sensor (ADF angle)
7	40X3861	1	1	CCD card/lens assembly
8	40X4036	1	1	CCD ribbon cable assembly
9	40X2320	2	1	Sensor (platen length APS 1)
10	40X2320	2	1	Sensor (platen length APS 2)
11	40X2222	1	1	Switch (platen interlock)

Previous

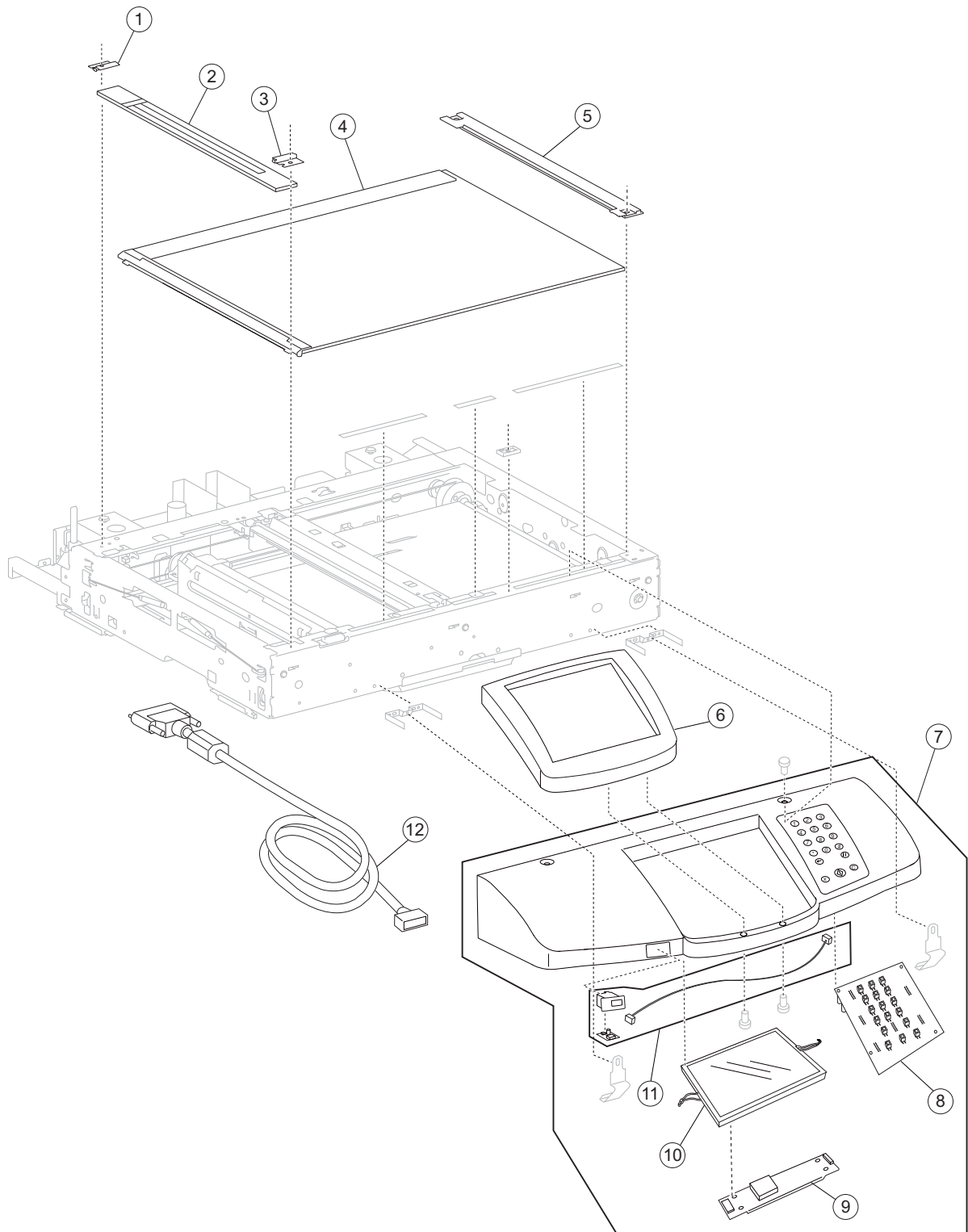


Next



Go Back

## Assembly 44: Control panel and platen glass



Previous



Next



Go Back

## Assembly 44: Control panel and platen glass

Asm Index	Part number	Units/mach	Units/kit or pkg	Description
1	40X2215	1	1	Small platen glass rear retainer
2	40X2214	1	1	Small platen glass
3	40X2213	1	1	Small platen glass front retainer
4	40X2208	1	1	Large platen glass
5	40X3858	1	1	Large platen glass retainer
6	40X3863	1	1	Operator panel bezel X940e model
6	40X3870	1	1	Operator panel bezel X945e model
7	40X4096	1	1	Operator panel assembly (universal)
8	40X2363	1	1	Operator panel controller card assembly
9	40X2364	1	1	Operator panel inverter card assembly
10	40X2362	1	1	Operator panel user touch screen
11	40X2365	1	1	USB interface card assembly
12	40X3859	1	1	Operator panel cable assembly
NS	40X8459	1	1	USB connector assembly

**Warning:** In the event of replacement of any one of the following components:

- RIP card assembly
- Interconnect card assembly

Only replace one component at a time. Replace the required component, and perform a POR before replacing a second component listed above. If this procedure is not followed, the printer will be rendered inoperable. Never replace two or more of the components listed above without a POR after installing each one, or the printer will be rendered inoperable.

**Warning:** Never install and remove components listed above as a method of troubleshooting components. Once a component has been installed in a machine, it cannot be used in another machine. It must be returned to the manufacturer.

Previous



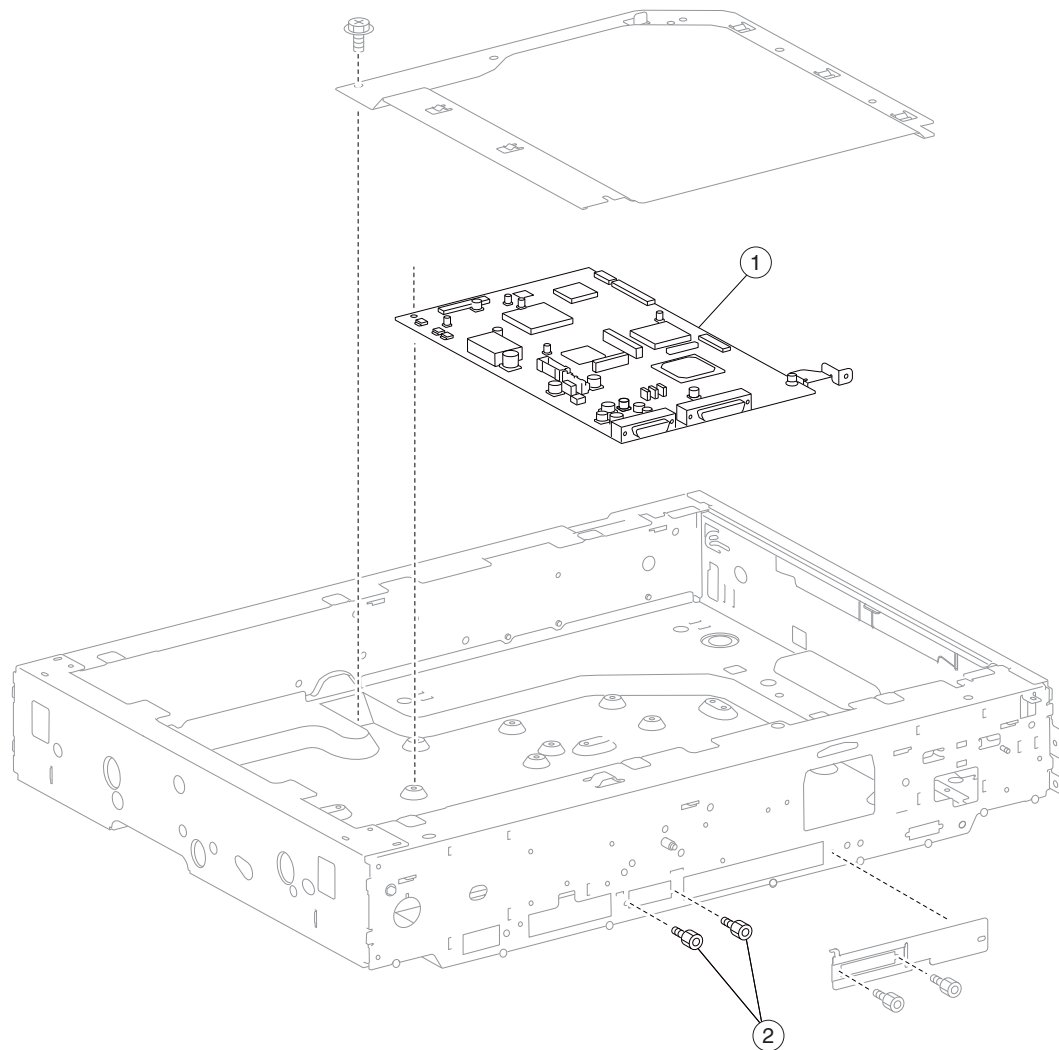
Next



Go Back



## Assembly 45: Scanner electrical



Previous



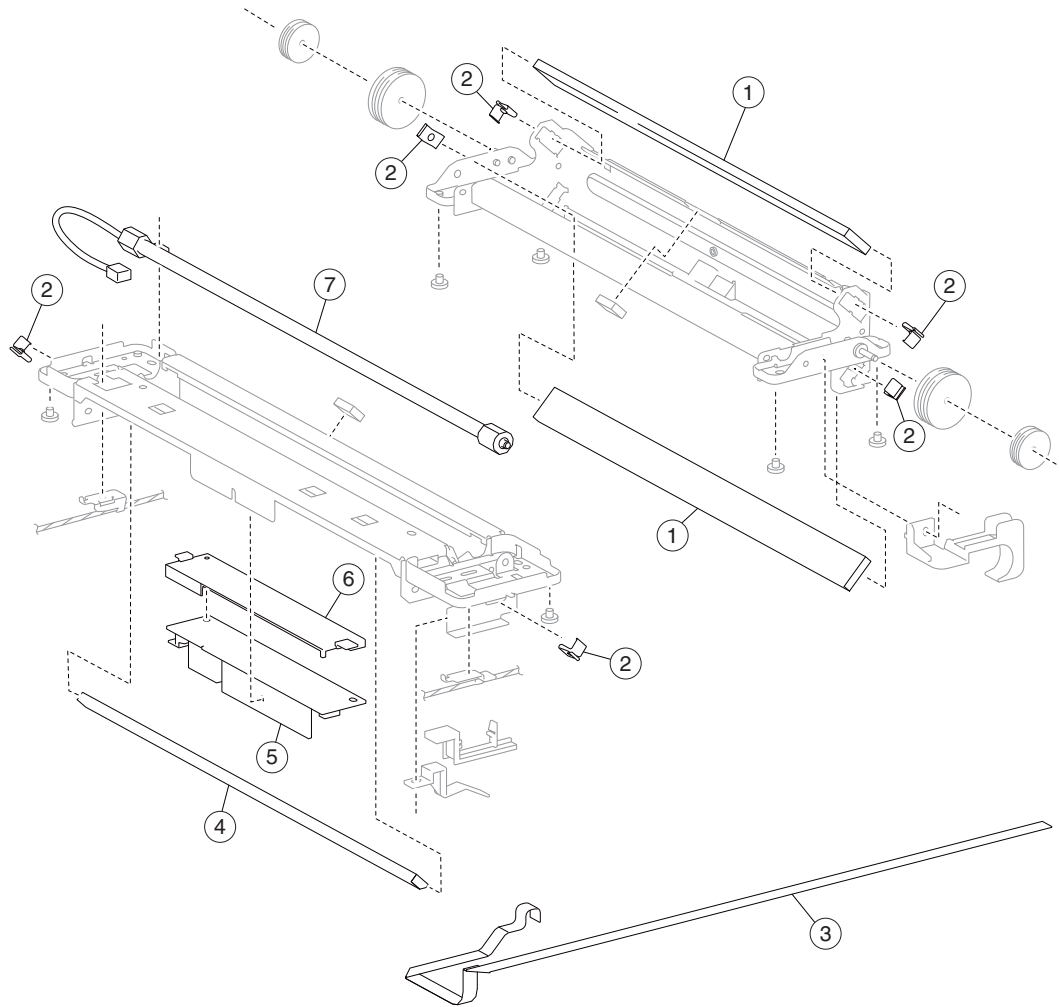
Next



Go Back

Asm Index	Part number	Units/mach	Units/kit or pkg	Description
1	40X3875	1	1	Scanner controller card assembly
2	40X2217	4	1	Card mounting screw

### Assembly 46: Scanner optics



Previous



Next



Go Back

**Assembly 46: Scanner optics**

Asm Index	Part number	Units/mach	Units/kit or pkg	Description
1	40X2232	2	1	2nd/3rd mirror
2	40X2233	6	4	Scanner mirror clip
3	40X3872	1	1	Exposure lamp PS ribbon cable
4	40X2234	1	1	1st mirror
5	40X3871	1	1	Exposure lamp PS card assembly
6	40X3873	1	1	Exposure lamp PS card insulator
7	40X3874	1	1	Exposure lamp

Previous



Next



Go Back

## Assembly 47: Carriage cable and motor

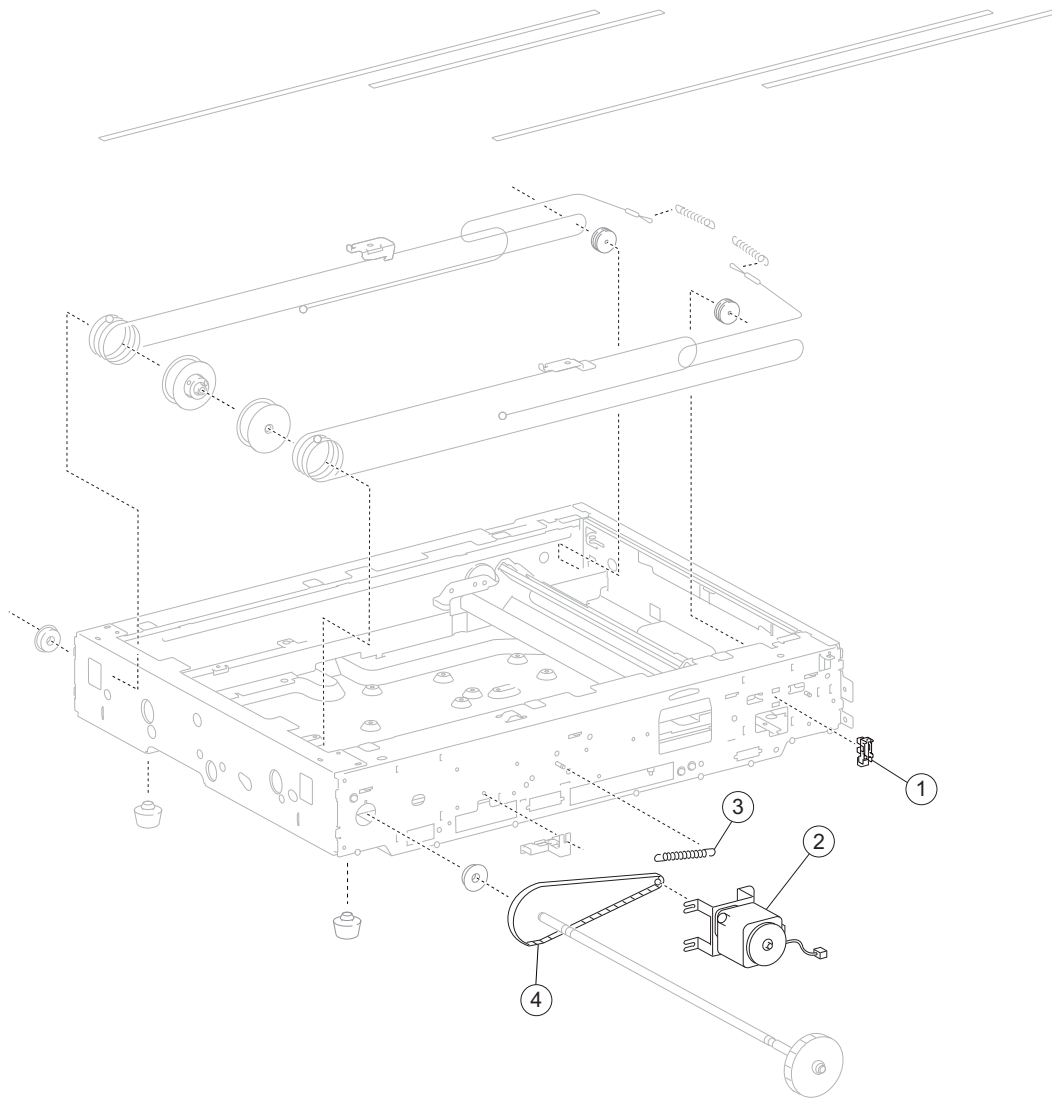
Previous



Next

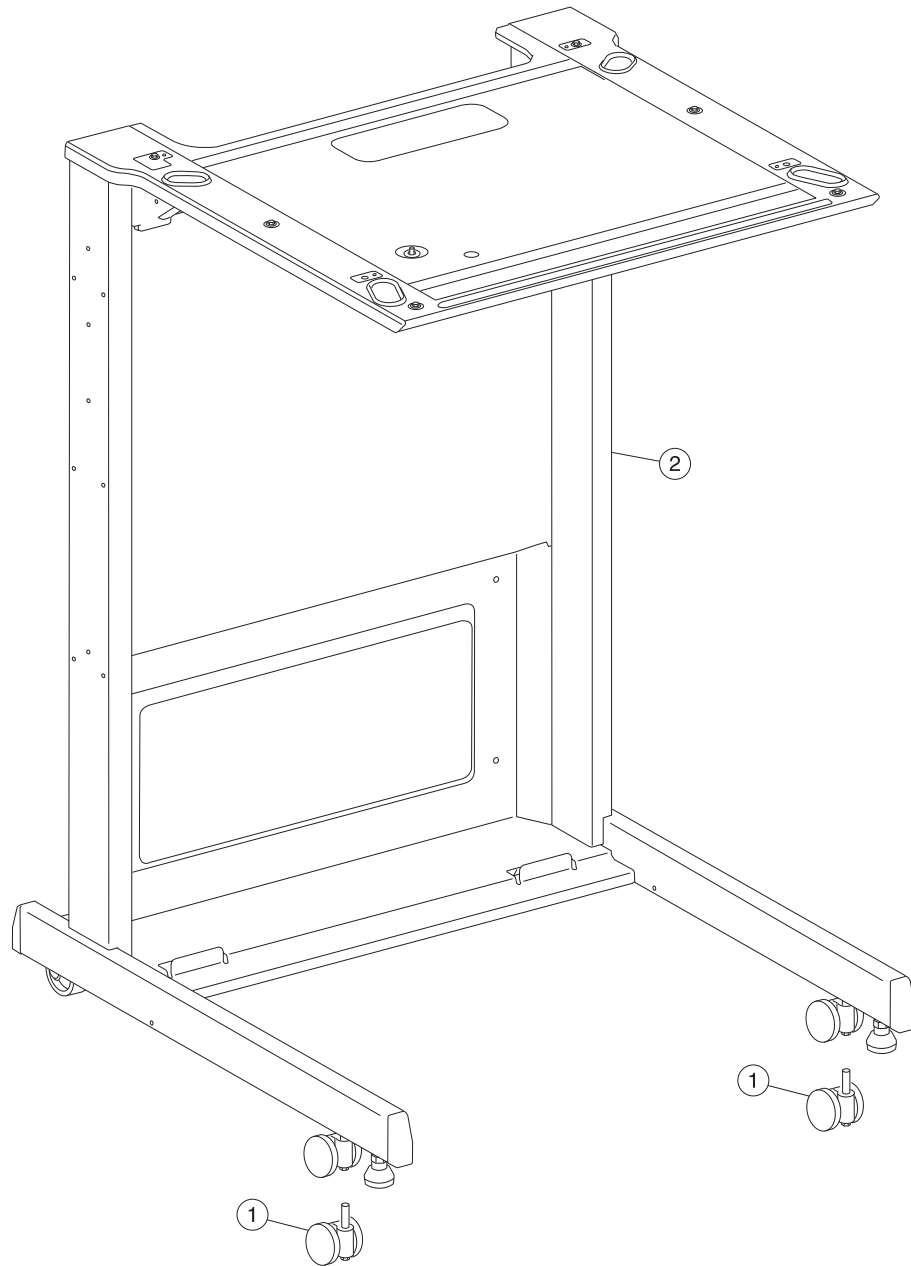


Go Back



Asm Index	Part number	Units/mach	Units/kit or pkg	Description
1	40X2223	2	1	Sensor (scanner HP)
2	40X2229	1	1	Scanner drive motor tension spring
3	40X3868	1	1	Scanner drive motor assembly
4	40X2226	1	1	Scanner drive belt

## Assembly 48: MFP rack



Previous



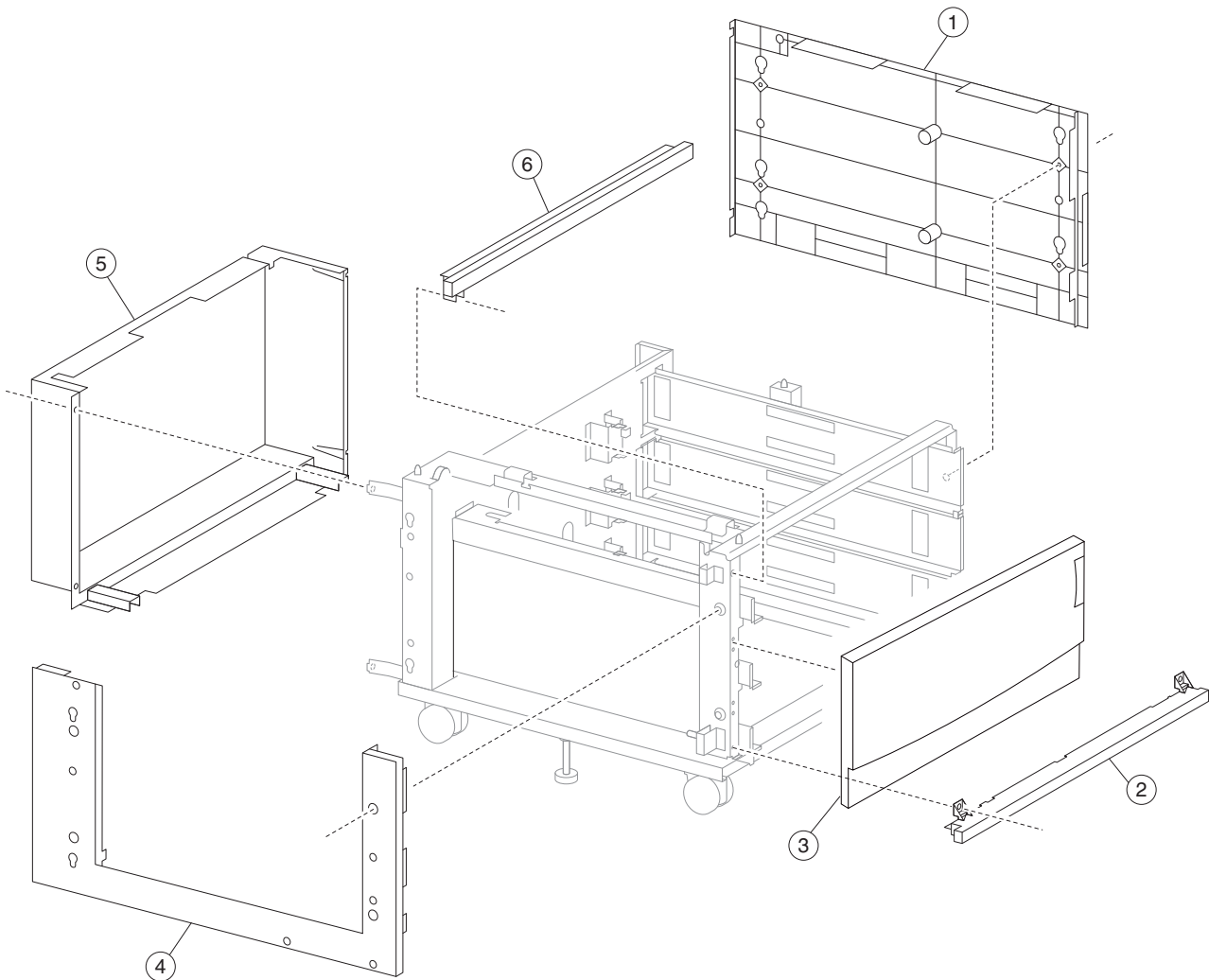
Next



Go Back

Asm Index	Part number	Units/mach	Units/kit or pkg	Description
1	40X3878	2	1	Main stand caster
2	40X4097	1	1	Main stand attach bracket

## Assembly 49: 1TM covers



Previous



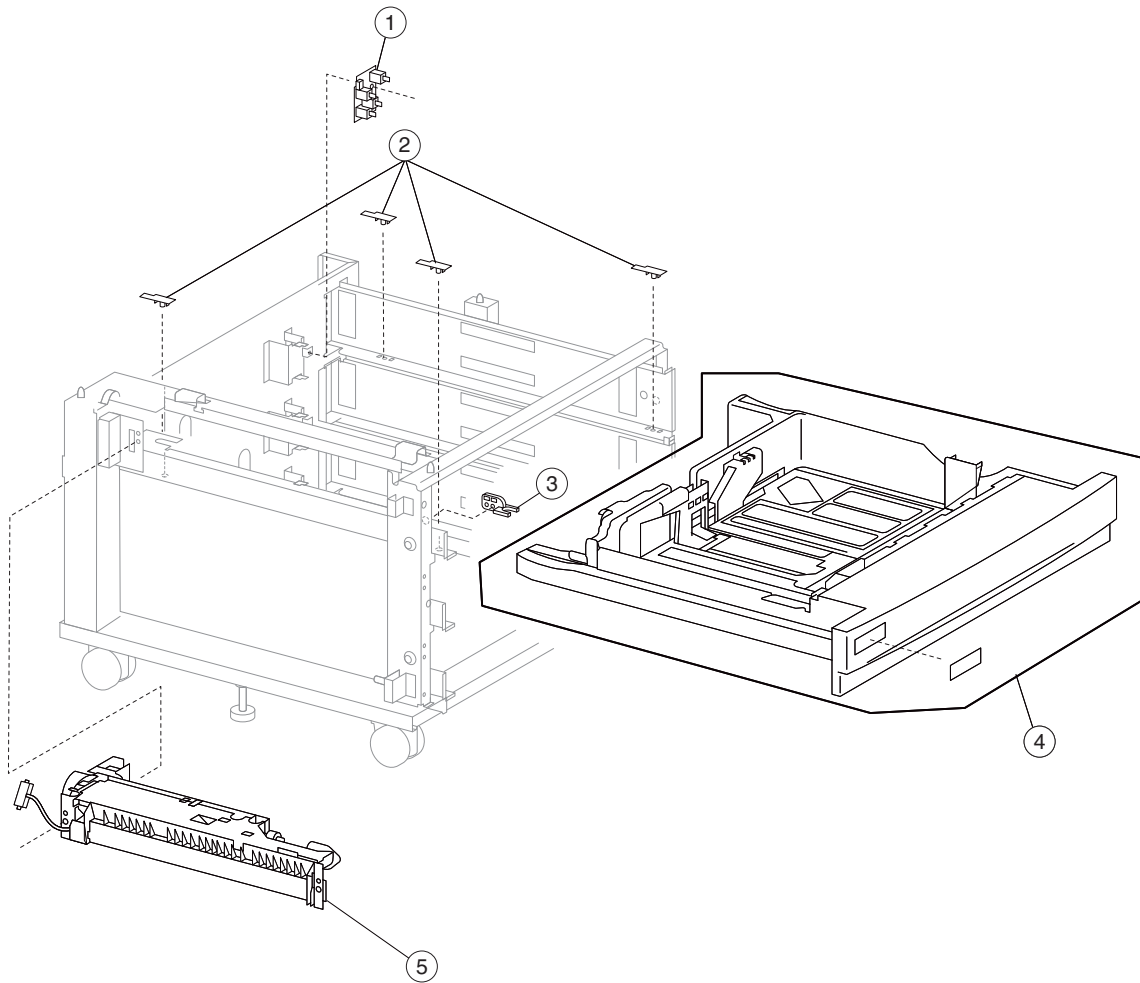
Next



Go Back

Asm-index	Part number	FRUs/ mach	Units/ FRU	Description
1	40X3825	1	1	Tray module right cover
2	40X3824	1	1	Tray module foot cover
3	40X4142	1	1	1TM front door assembly
4	40X3826	2	1	Tray module left cover
5	40X3827	1	1	Tray module rear cover
6	40X3823	1	1	Tray module top cover

## Assembly 50: 1TM feed unit assembly



Previous



Next



Go Back

**Assembly 50: 1TM feed unit assembly**

Asm-index	Part number	FRUs/mach	Units/FRU	Description
1	40X3677	3	1	Switch (media size)
2	40X3676	6	1	Media tray slide
3	40X3675	3	1	Media tray catch
4	40X3678	3	6	Media tray assembly kit <ul style="list-style-type: none"> <li>• Media tray assembly</li> <li>• #1 label</li> <li>• #2 label</li> <li>• #3 label</li> <li>• #4 label</li> <li>• Instruction label</li> </ul>
5	40X3679	1	1	Media feed unit assembly

Previous

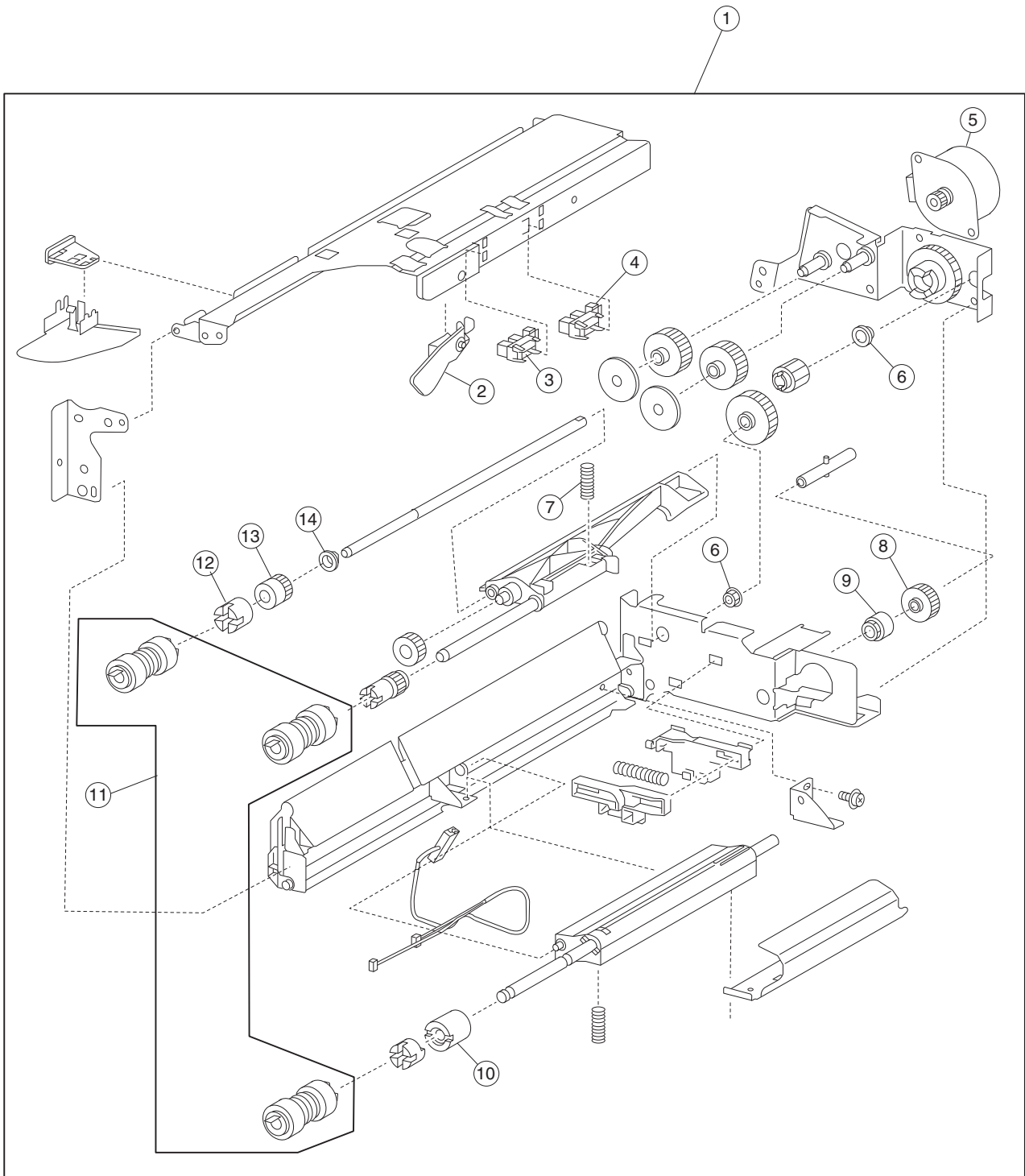


Next



Go Back



**Assembly 51: 1TM media feed unit**

Previous



Next



Go Back

**Assembly 51: 1TM media feed unit**

Asm-index	Part number	FRUs/ mach	Units/ FRU	Description
1	40X3679	4	1	Media feed unit assembly
2	40X3687	4	1	Media out actuator
3	40X3688	30	1	Sensor (tray media out)
4	40X3688	30	1	Sensor (tray media level)
5	40X3684	4	1	Media feed lift motor
6	40X0888	6	1	Bushing 6 mm
7	40X0590	2	1	Pick roll assembly spring
8	40X3686	4	1	Media tray lift one-way gear
9	40X3685	4	1	Media tray lift one-way clutch
10	40X4086	4	2	Separation roll friction clutch
11	40X0594	2	1	Feed unit roll kit <ul style="list-style-type: none"> <li>• Feed roll (2)</li> <li>• Pick roll (2)</li> <li>• Separation roll (2)</li> </ul>
12	40X3690	4	1	Feed roll one-way clutch
13	40X3691	4	1	Feed roll one-way gear 22T
14	40X0952	6	1	Bushing 6 mm

Previous

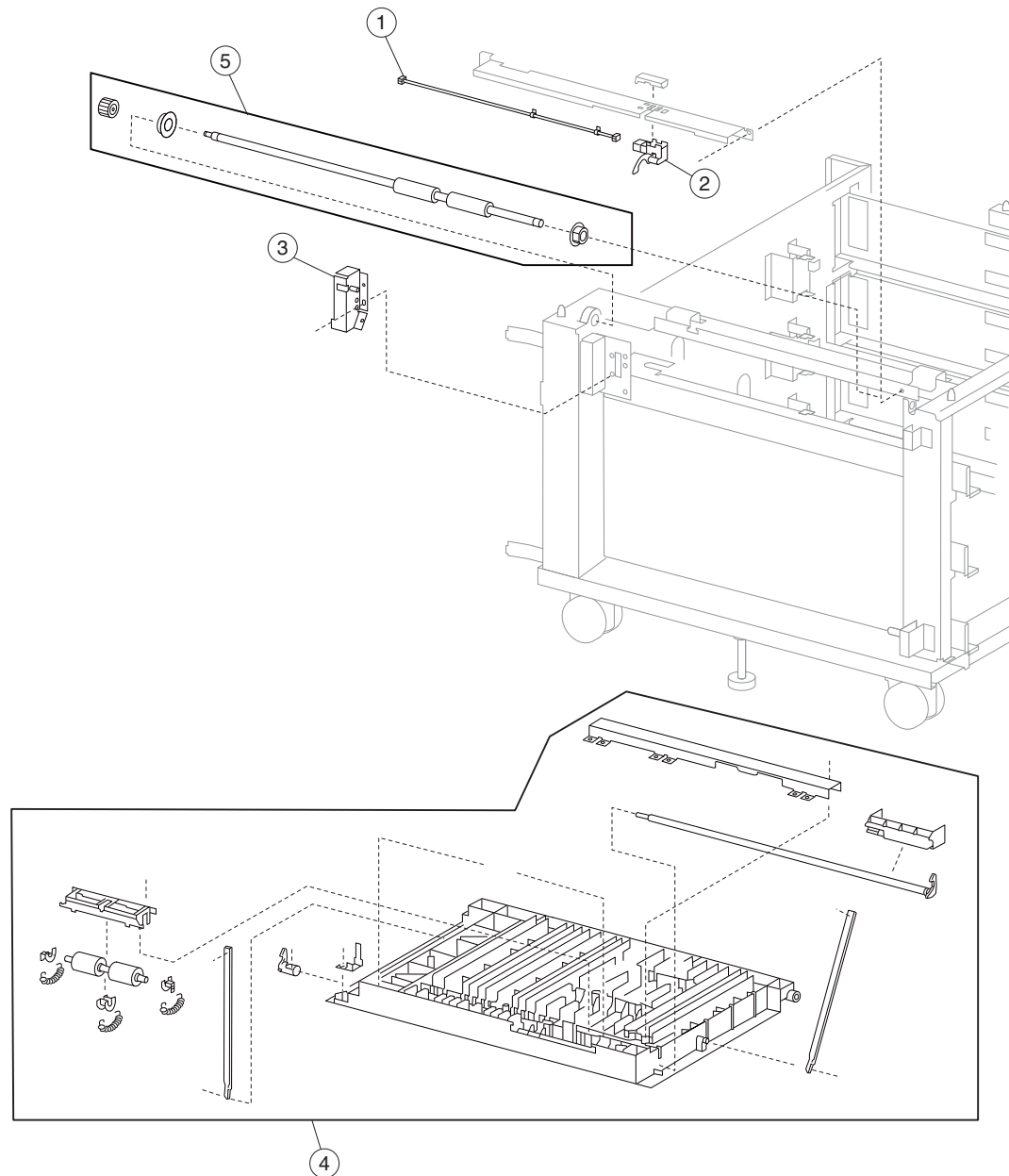


Next



Go Back

## Assembly 52: 1TM left door



Previous



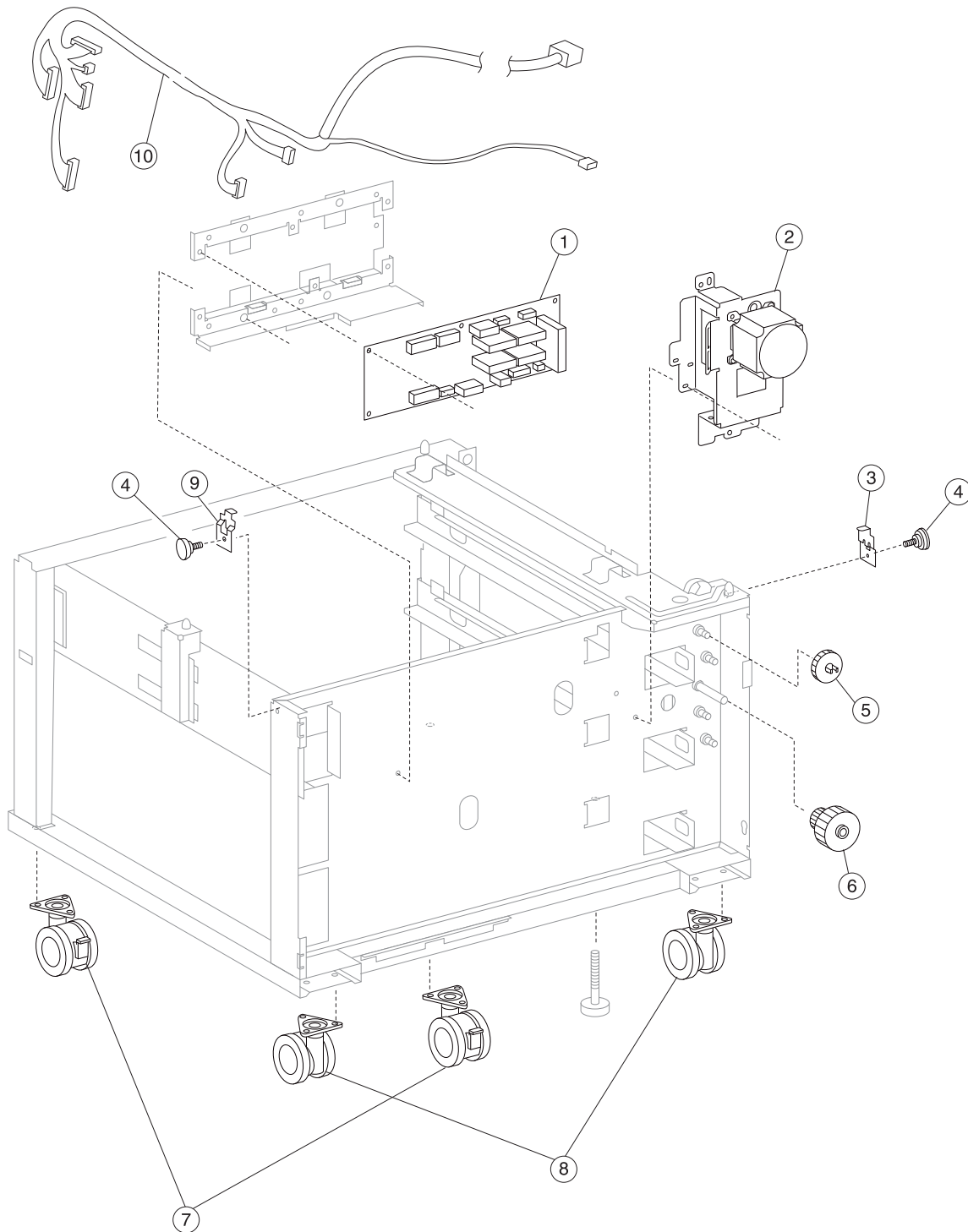
Next



Go Back

Asm-index	Part number	FRUs/ mach	Units/ FRU	Description
1	40X3818	1	1	Tray 2 feed-out sensor cable assembly
2	40X3817	1	1	Sensor (tray 2 feed-out)
3	40X3821	1	1	Switch (tray module left door interlock)
4	40X4141	1	1	1TM left door assembly (this comes assembled)
5	40X4119	1	1	Tray module media transport roll assembly

### Assembly 53: 1TM drive and electrical



Previous



Next



Go Back

**Assembly 53: 1TM drive and electrical**

Asm-index	Part number	FRUs/ mach	Units/ FRU	Description
1	40X4152	1	1	1TM controller card assembly
2	40X3812	1	1	Tray module drive motor assembly
3	40X4068	1	1	Tray module left retaining bracket
4	40X4034	2	1	Tray module retainer screw
5	40X3815	1	3	Media transport gear 33T
6	40X3813	1	1	Media transport gear 23/46T
7	40X4117	2	1	Front locking caster
8	40X4143	2	1	Rear non-locking caster
9	40X4069	2	1	Tray module right retaining bracket
10	40X4109	1	1	1TM main cable assembly

Previous

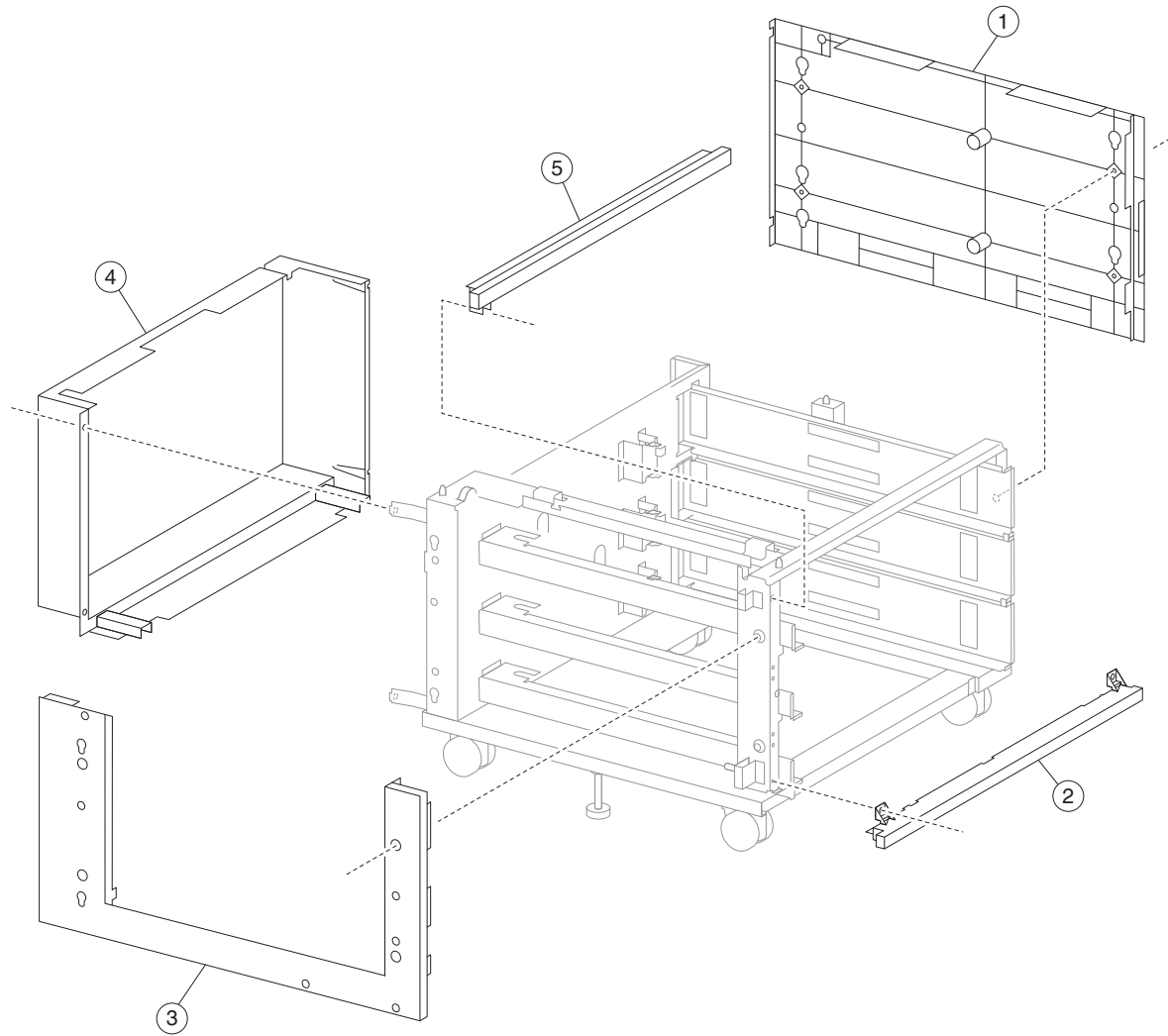


Next



Go Back

### Assembly 54: 3TM covers



Previous



Next



Go Back

**Assembly 54: 3TM covers**

Asm-index	Part number	FRUs/ mach	Units/ FRU	Description
1	40X3825	1	1	Tray module right cover
2	40X3824	1	1	Tray module foot cover
3	40X3826	2	1	Tray module left cover
4	40X3827	1	1	Tray module rear cover
5	40X3823	1	1	Tray module top cover

Previous

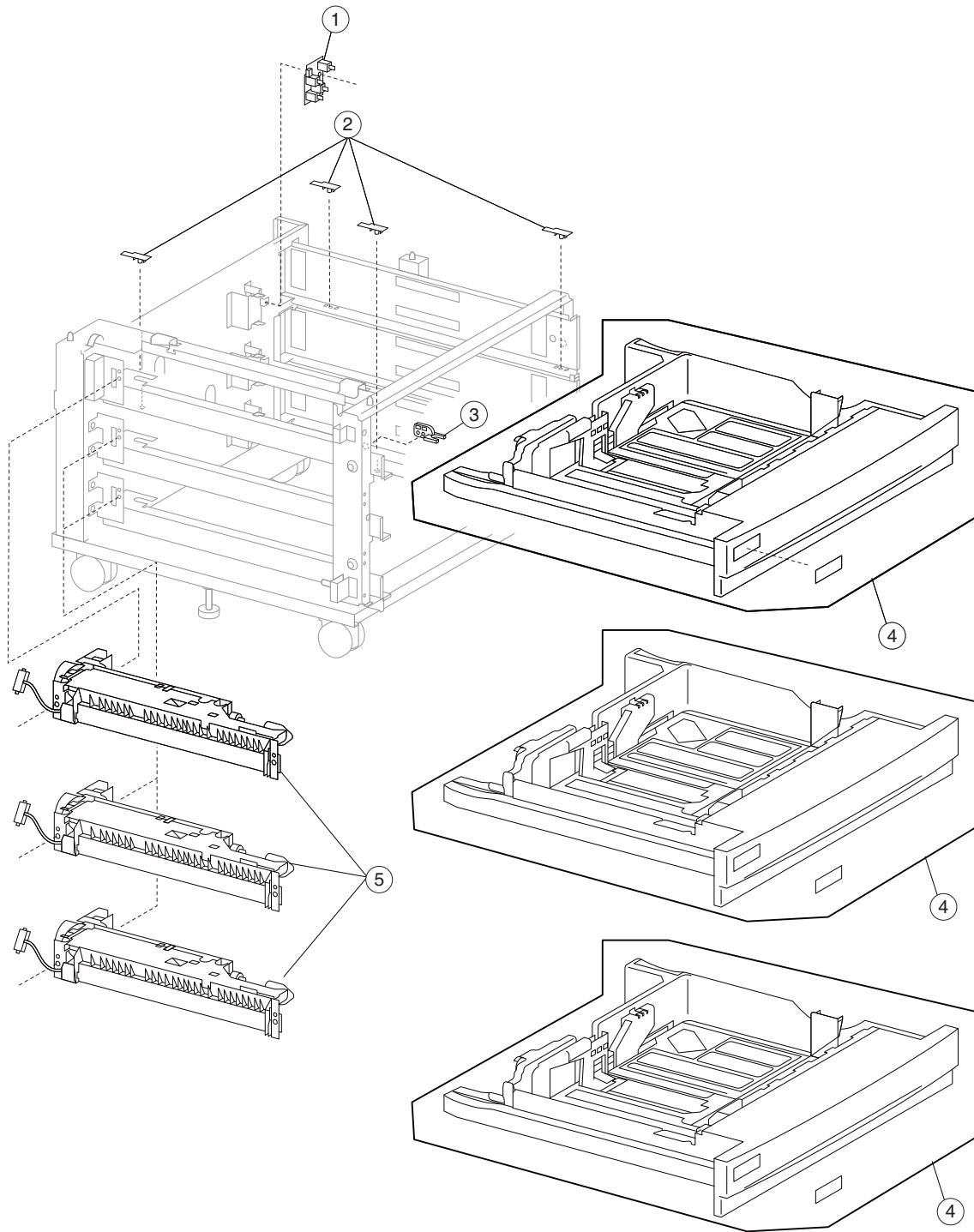


Next



Go Back

# Assembly 55: 3TM feed unit assembly



Previous



Next



Go Back



## Assembly 55: 3TM feed unit assembly

Asm-index	Part number	FRUs/mach	Units/FRU	Description
1	40X3677	3	1	Switch (media size)
2	40X3676	6	1	Media tray slide
3	40X3675	3	1	Media tray catch
4	40X3678	3	6	Media tray assembly kit <ul style="list-style-type: none"> <li>• Media tray assembly</li> <li>• #1 label</li> <li>• #2 label</li> <li>• #3 label</li> <li>• #4 label</li> <li>• Instruction label</li> </ul>
5	40X3679	1	1	Media feed unit assembly

Previous



Next



Go Back

### Assembly 56: 3TM media feed unit

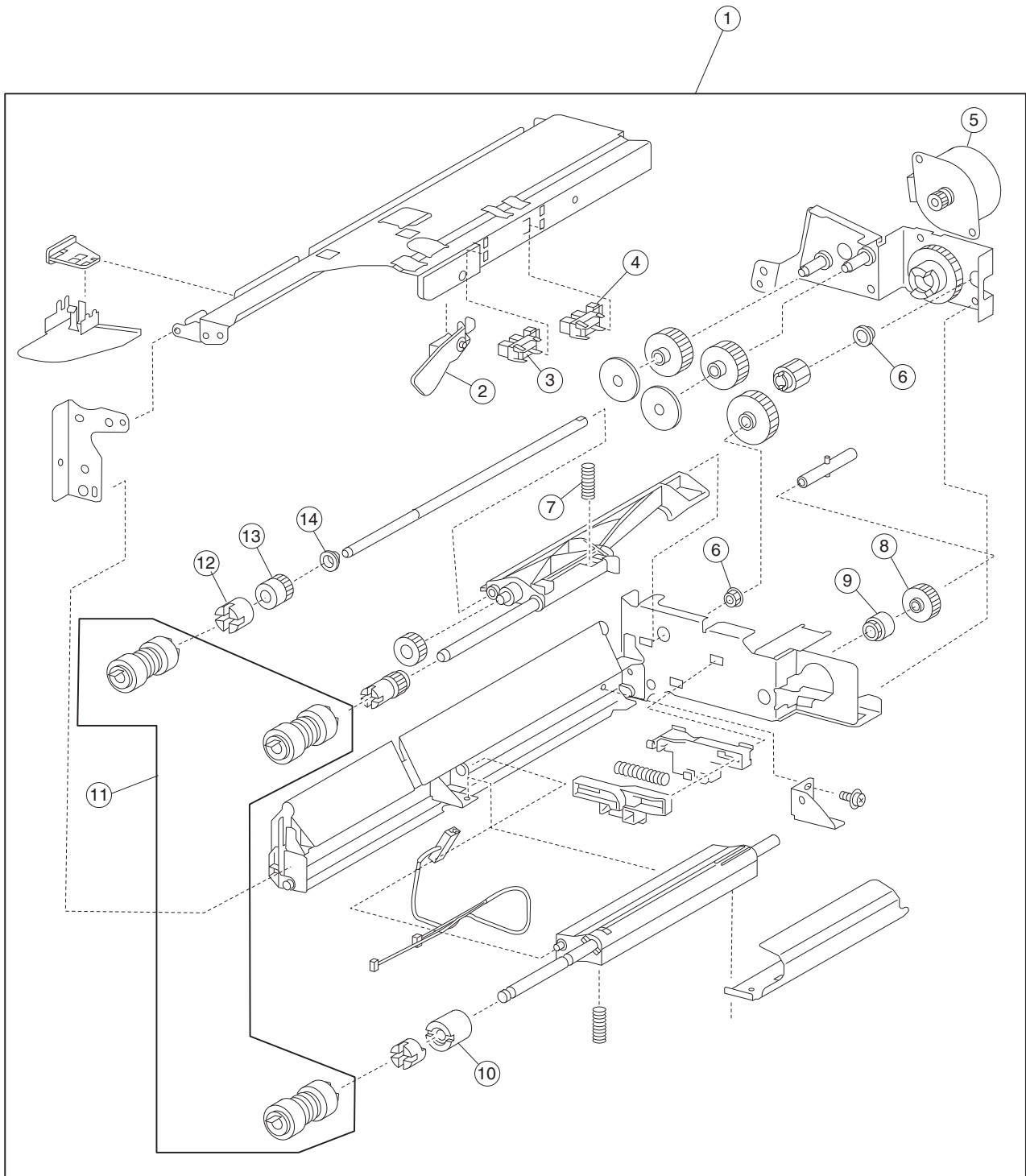
Previous



Next



Go Back



**Assembly 56: 3TM Media feed unit**

Asm-index	Part number	FRUs/ mach	Units/ FRU	Description
1	40X3679	4	1	Media feed unit assembly
2	40X3687	4	1	Media out actuator
3	40X3688	30	1	Sensor (tray media out)
4	40X3688	30	1	Sensor (tray media level)
5	40X3684	4	1	Media feed lift motor
6	40X0888	6	1	Bushing 6 mm
7	40X3686	4	1	Media tray lift one-way gear
8	40X3685	4	1	Media tray lift one-way clutch
9	40X4086	4	2	Separation roll friction clutch
10	40X0594	2	1	Feed unit roll kit <ul style="list-style-type: none"> <li>• Feed roll (2)</li> <li>• Pick roll (2)</li> <li>• Separation roll (2)</li> </ul>
11	40X3690	4	1	Feed roll one-way clutch
12	40X3691	4	1	Feed roll one-way gear 22T
13	40X0952	6	1	Bushing 6 mm

Previous

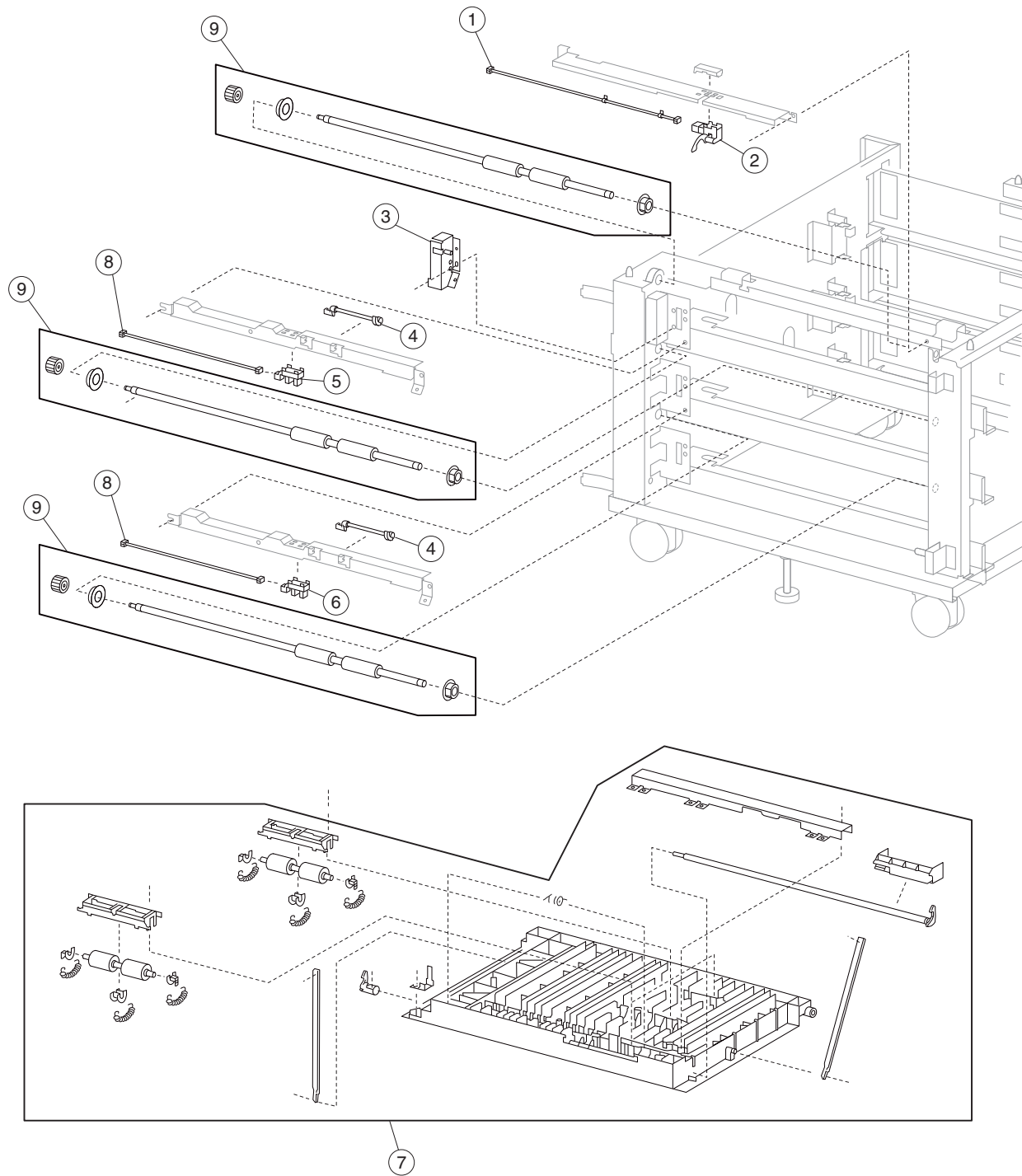


Next



Go Back

### Assembly 57: 3TM left door



Previous



Next



Go Back

**Assembly 57: 3TM left door**

Asm-index	Part number	FRUs/ mach	Units/ FRU	Description
1	40X3818	1	1	Tray 2 feed-out sensor cable assembly
2	40X3817	1	1	Sensor (tray 2 feed-out)
3	40X3821	1	1	Switch (tray module left door interlock)
4	40X3819	1	1	Tray 3/4 feed-out sensor actuator
5	40X3820	2	1	Sensor (tray 3 feed-out)
6	40X3820	2	1	Sensor (tray 4 feed-out)
7	40X3816	1	1	3TM left door assembly (this comes assembled)
8	40X4035	2	1	Tray 3/4 feed-out sensor cable assembly
9	40X4119	3	1	Tray module media transport roll assembly

Previous

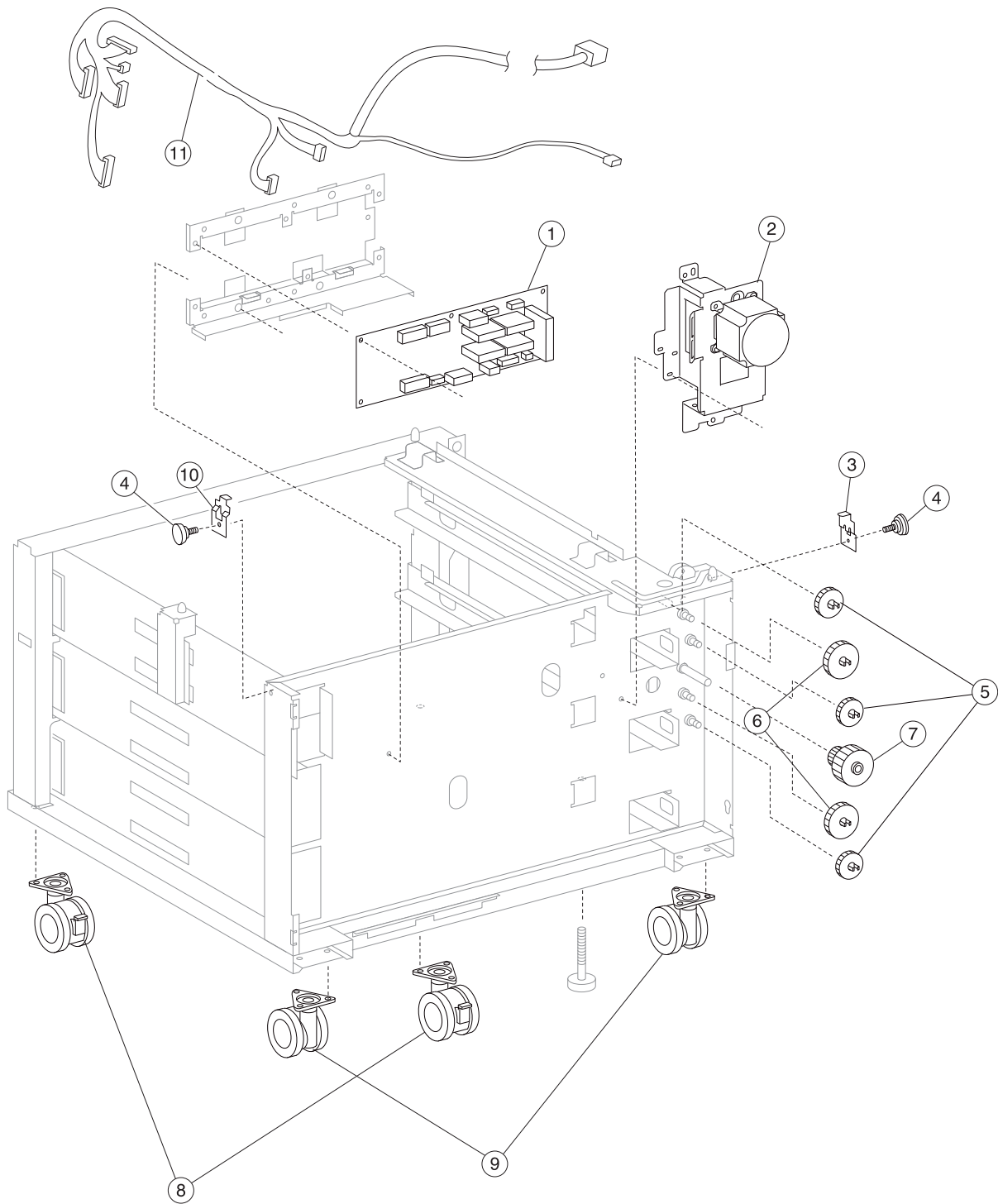


Next



Go Back

### Assembly 58: 3TM drive and electrical



Previous



Next



Go Back

**Assembly 58: 3TM drive and electrical**

Asm-index	Part number	FRUs/ mach	Units/ FRU	Description
1	40X3811	1	1	3TM controller card assembly
2	40X3812	1	1	Tray module drive motor assembly
3	40X4068	1	1	Tray module left retaining bracket
4	40X4034	2	1	Tray module retainer screw
5	40X3815	1	3	Media transport gear 33T
6	40X3813	1	1	Media transport gear 23/46T
7	40X3814	1	2	Media transport gear 46T
8	40X4117	2	1	Front locking caster
9	40X4143	2	1	Rear non-locking caster
10	40X4069	2	1	Tray module right retaining bracket
11	40X4108	1	1	3TM main cable assembly

Previous



Next



Go Back

## Assembly 59: TTM covers

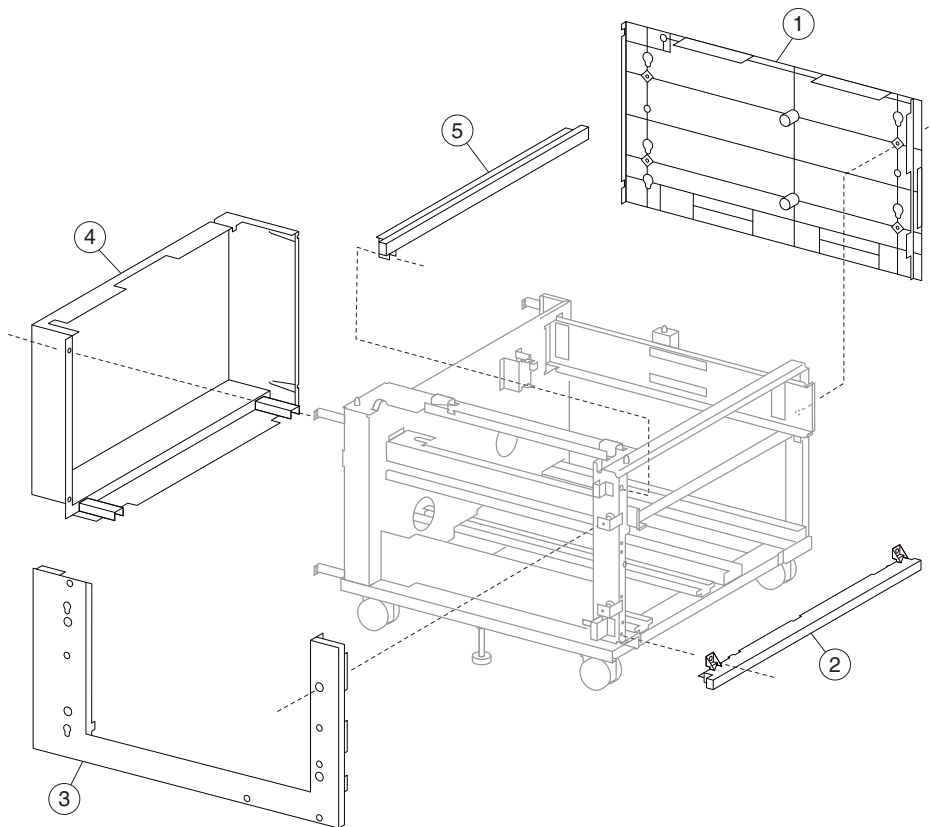
Previous



Next



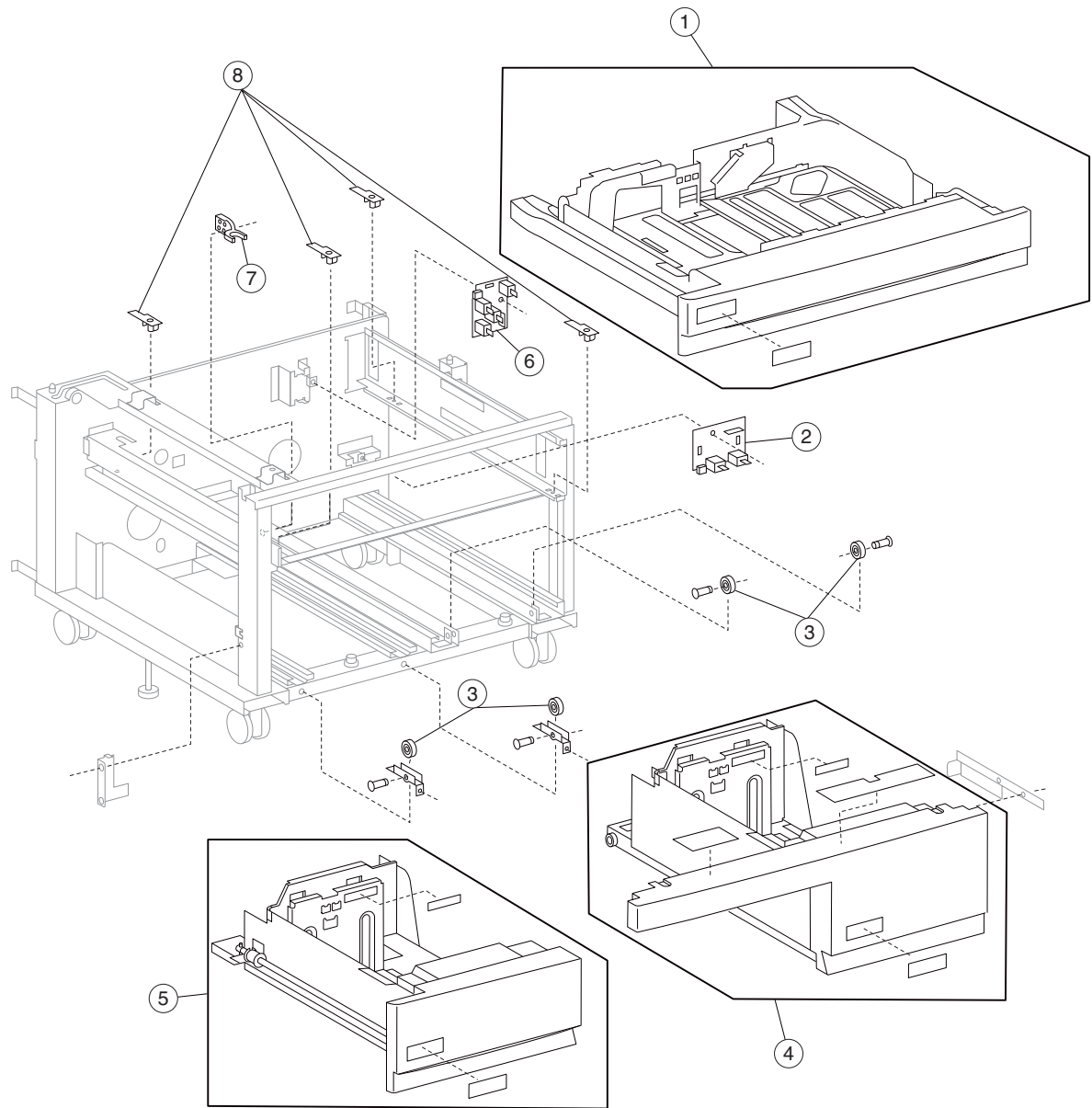
Go Back



Asm-index	Part number	FRUs/ mach	Units/ FRU	Description
1	40X3825	1	1	Tray module right cover
2	40X3824	1	1	Tray module foot cover
3	40X3826	2	1	Tray module left cover
4	40X3827	1	1	Tray module rear cover
5	40X3823	1	1	Tray module top cover



## Assembly 60: TTM media trays



Previous



Next



Go Back

**Assembly 60: TTM media trays**

Asm-index	Part number	FRUs/ mach	Units/ FRU	Description
1	40X3678	3	6	Media tray assembly kit <ul style="list-style-type: none"> <li>• Media tray assembly</li> <li>• #1 label</li> <li>• #2 label</li> <li>• #3 label</li> <li>• #4 label</li> <li>• Instruction label</li> </ul>
2	40X3830	2	1	Switch (TTM media size)
3	40X3831	4	1	TTM tray support roll
4	40X3829	1	3	TTM media tray 4 assembly kit <ul style="list-style-type: none"> <li>• TTM media tray 4</li> <li>• #4 label</li> <li>• Instruction label</li> </ul>
5	40X3828	1	2	TTM media tray 3 assembly kit <ul style="list-style-type: none"> <li>• TTM media tray 3</li> <li>• #3 label</li> <li>• Instruction label</li> </ul>
6	40X3677	3	1	Switch (media size)
7	40X3675	3	1	Media tray catch
8	40X3676	2	1	Media tray slide

Previous

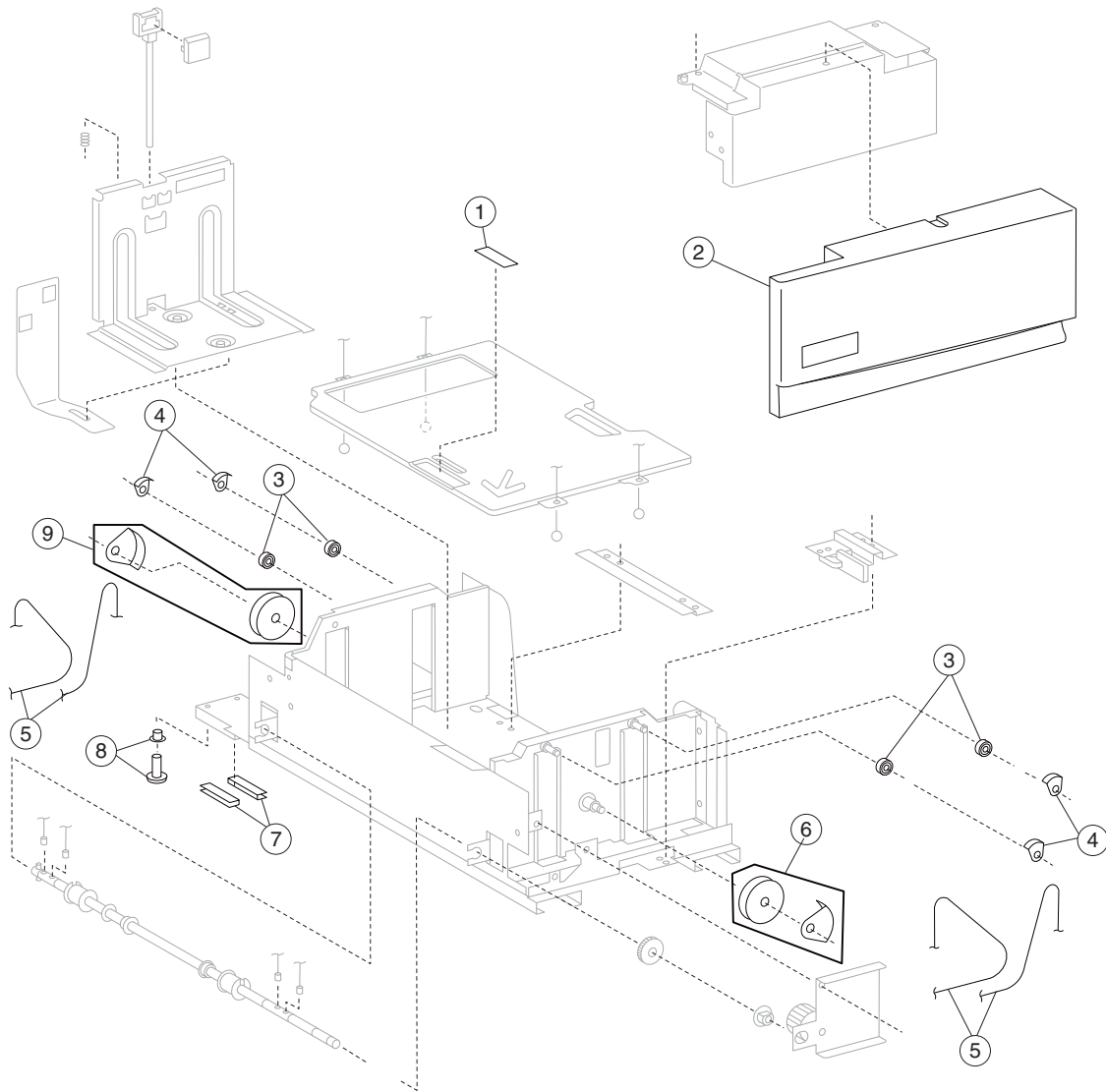


Next



Go Back

## Assembly 61: TTM media tray 3



Previous



Next



Go Back

**Assembly 61: TTM tray 3**

Asm-index	Part number	FRUs/mach	Units/FRU	Description
1	40X0711	2	1	TTM tray separation pad
2	40X3832	1	1	TTM tray 3 front cover
3	40X4126	4	1	TTM tray lift idler pulley
4	40X4127	4	1	TTM tray lift idler pulley guide
5	40X4084	4	1	TTM tray 3 lift cable
6	40X0708	2	1	TTM large idler pulley kit <ul style="list-style-type: none"> <li>• TTM large idler pulley</li> <li>• TTM large idler pulley guide</li> </ul>
7	40X3834	2	1	TTM tray 3 slide strip
8	40X3835	2	1	TTM tray 3 slide button

Previous



Next



Go Back

## Assembly 62: TTM media tray 4

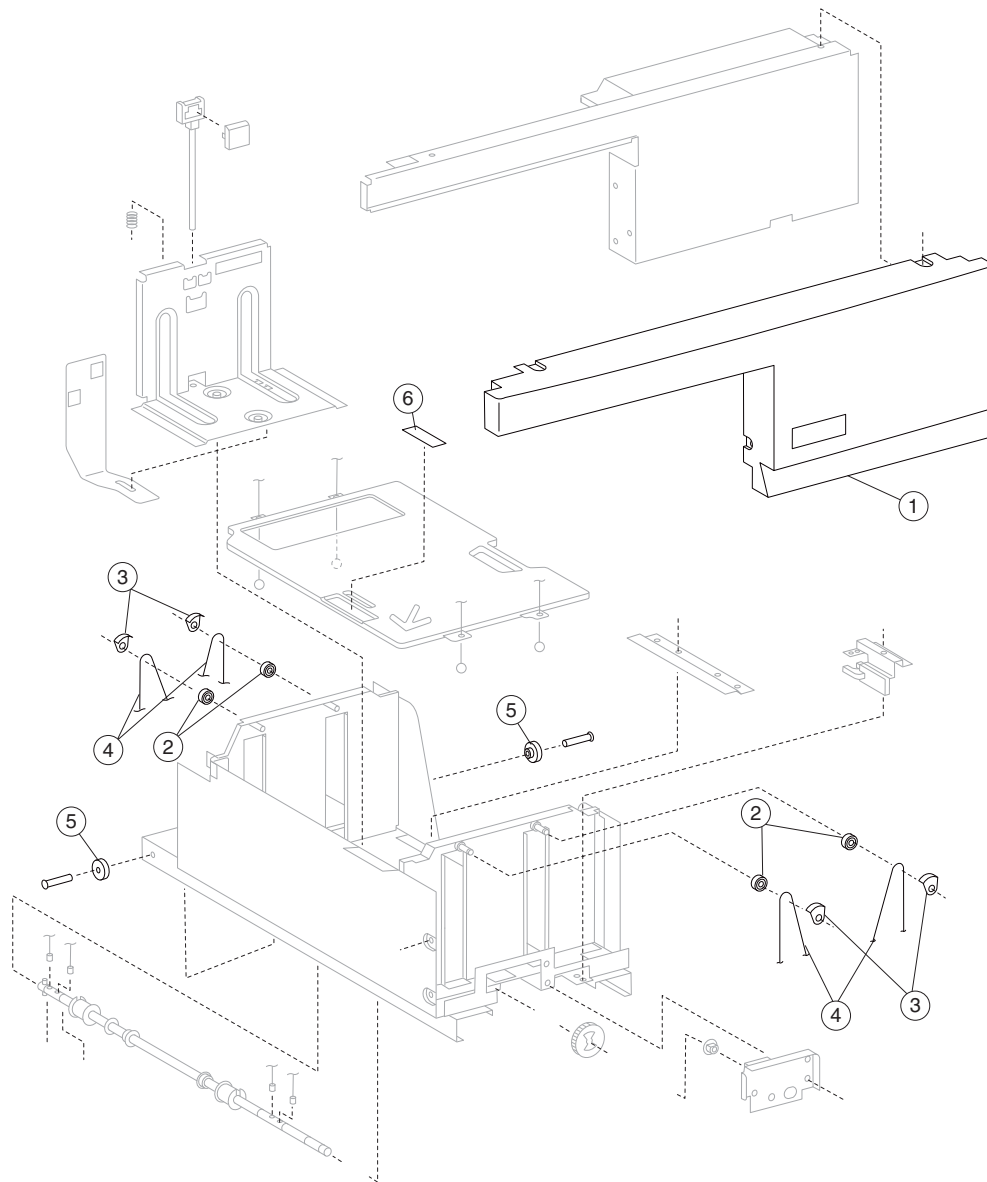
Previous



Next

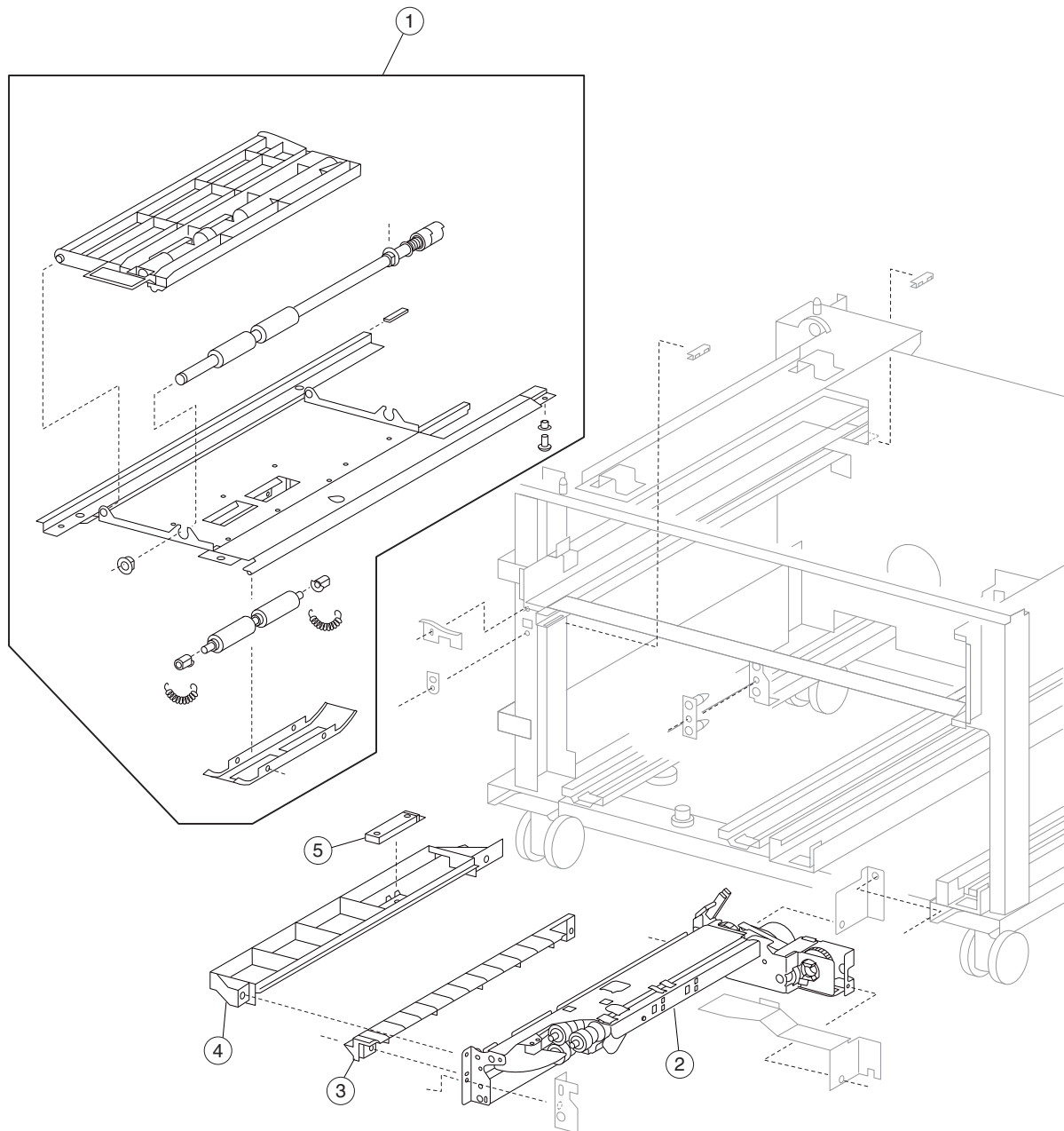


Go Back



Asm-index	Part number	FRUs/ mach	Units/ FRU	Description
1	40X3836	1	1	TTM tray 4 front cover
2	40X4126	4	1	TTM tray lift idler pulley
3	40X4127	4	1	TTM tray lift idler pulley guide
4	40X4085	4	1	TTM tray 4 lift cable
5	40X0723	1	2	TTM tray 4 rear support roll (2)
6	40X0711	2	1	TTM tray separation pad

## Assembly 63: TTM media tray 4 transport



Previous



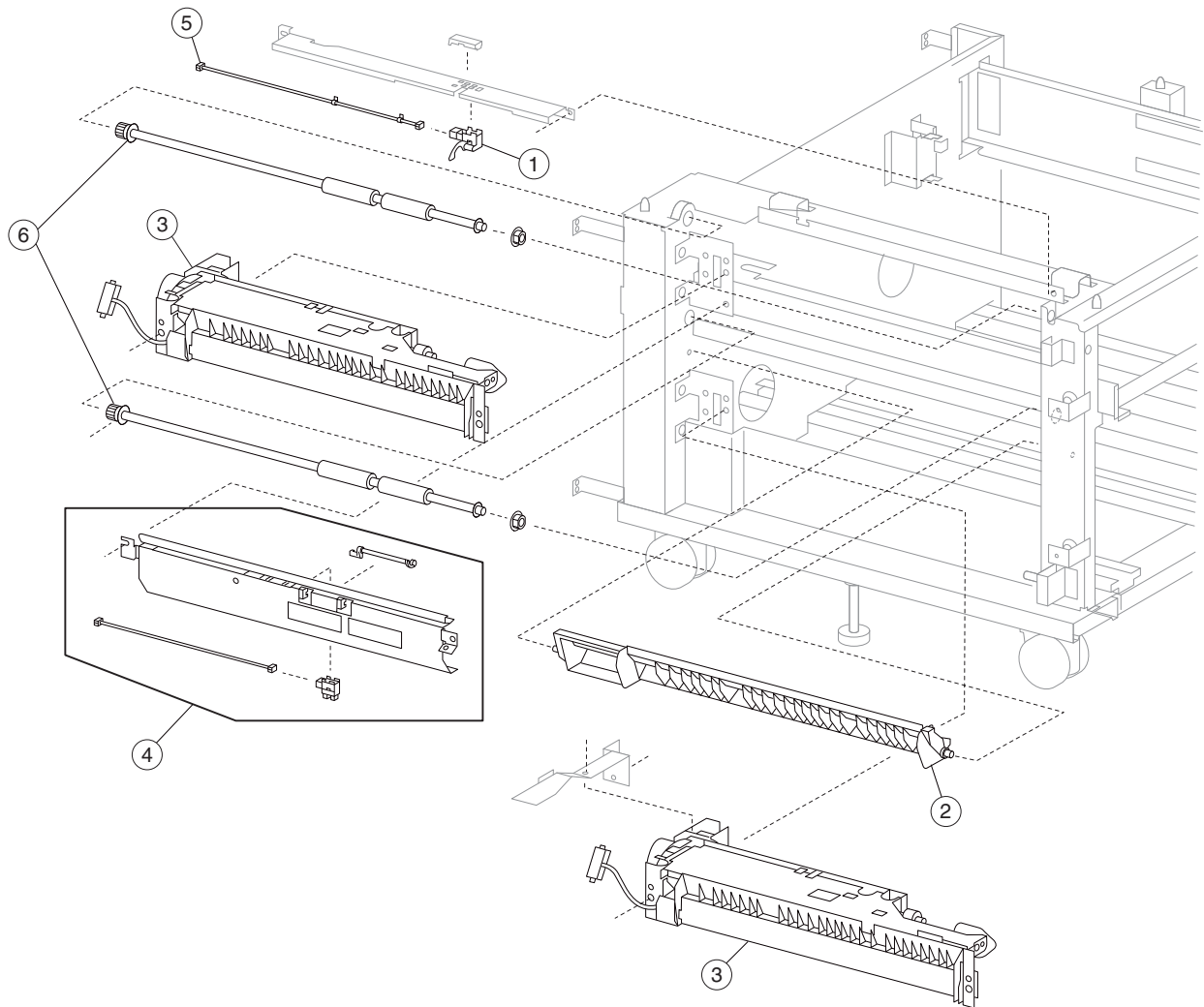
Next



Go Back

Asm-index	Part number	FRUs/ mach	Units/ FRU	Description
1	40X3838	1	1	TTM tray 4 media transport assembly
2	40X3679	1	1	Media feed unit assembly
3	40X3841	1	1	TTM tray 4 lower media guide
4	40X3840	1	1	TTM tray 4 upper media guide
5	40X3694	2	1	Sensor (tray 4 feed-out)

## Assembly 64: TTM media transport



Previous



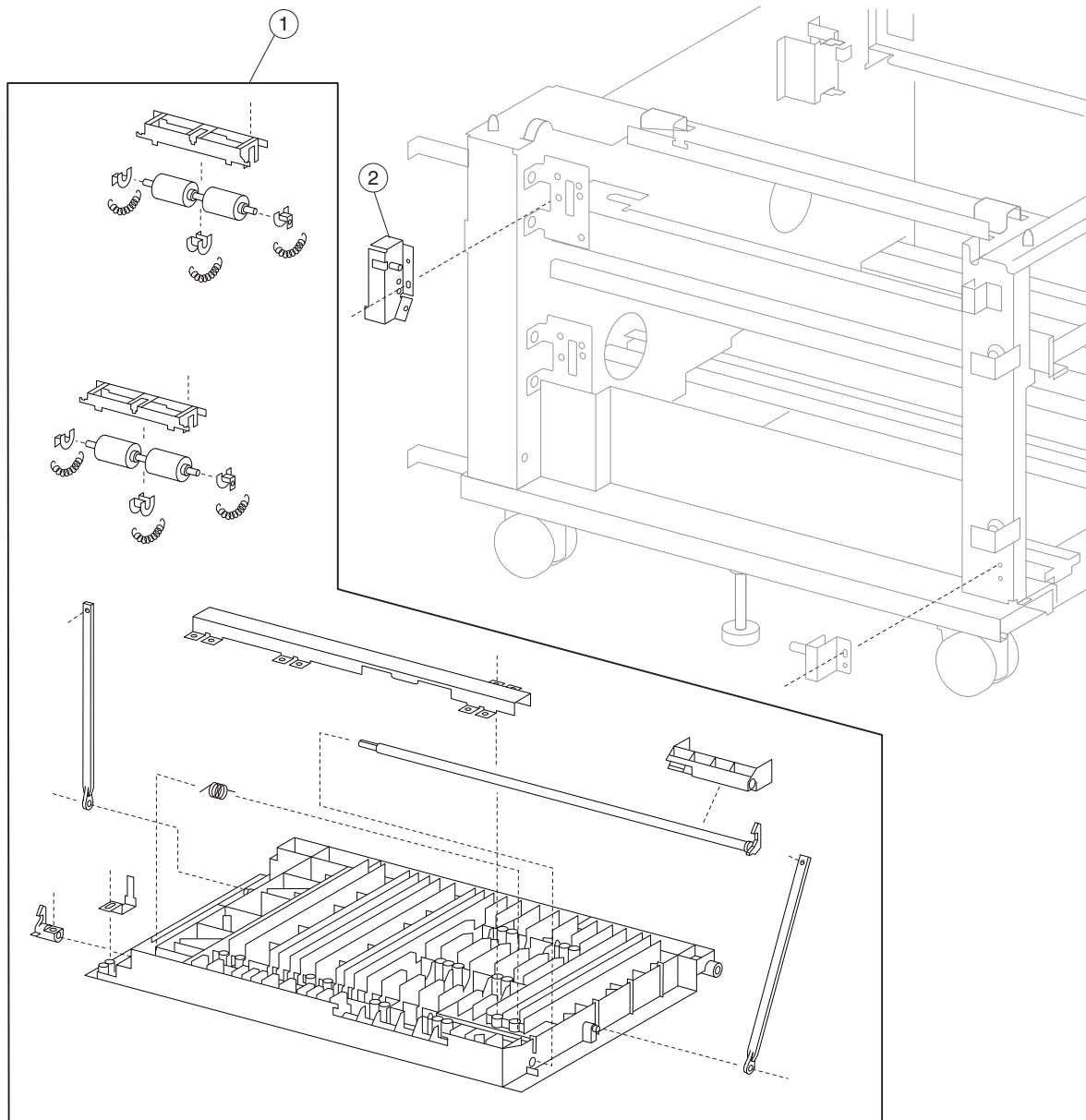
Next



Go Back

Asm-index	Part number	FRUs/ mach	Units/ FRU	Description
1	40X3817	2	1	Sensor (tray 2 feed-out)
2	40X3843	1	1	TTM vertical turn guide
3	40X3679	1	1	Media feed unit assembly
4	40X3842	1	1	Tray 3 feed-out sensor assembly (this comes assembled)
5	40X3818	2	1	Tray 2 feed-out sensor cable assembly
6	40X4119	2	1	Tray module media transport roll assembly

## Assembly 65: TTM left door



Previous



Next

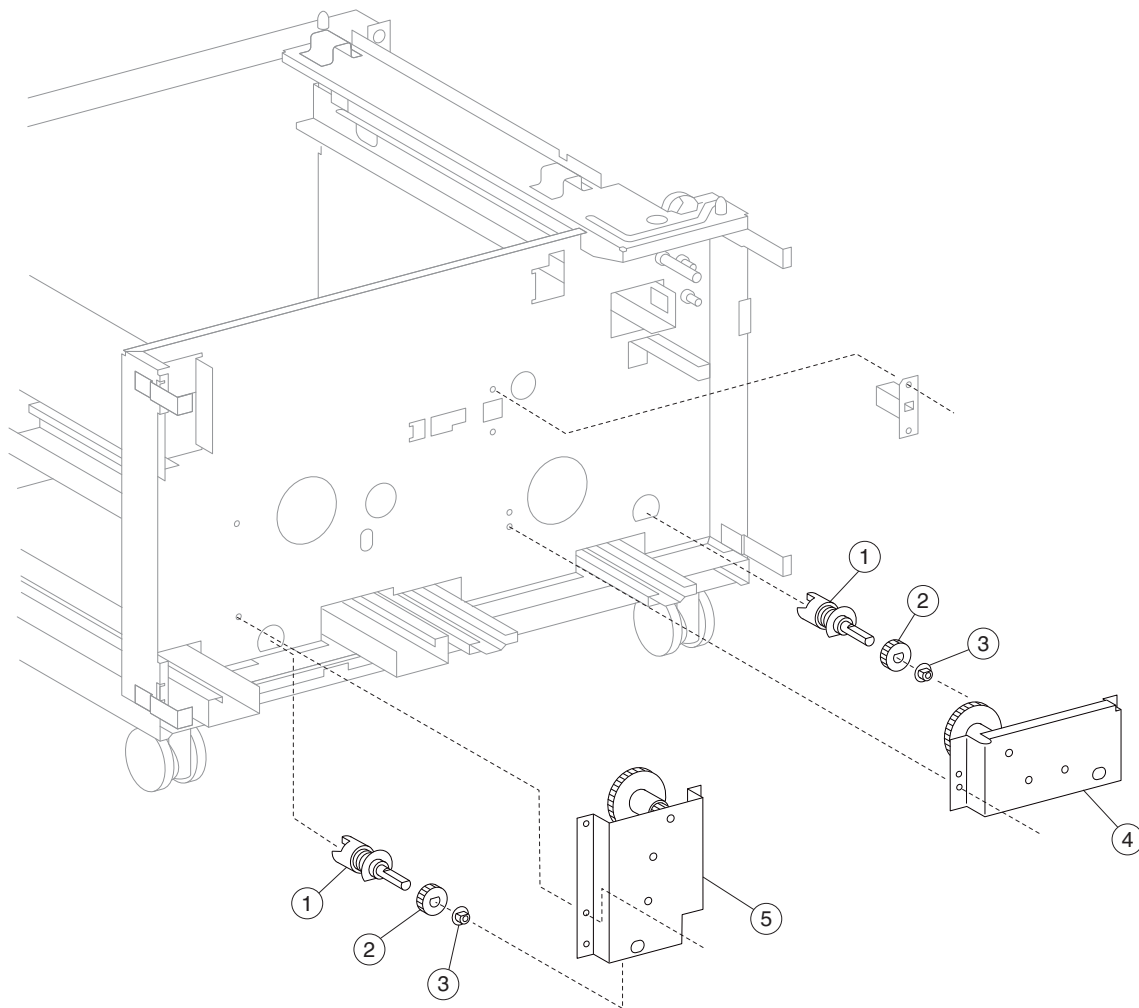


Go Back

Asm-index	Part number	FRUs/ mach	Units/ FRU	Description
1	40X3844	1	1	TTM left door assembly (this comes assembled)
2	40X3821	1	1	Switch (tray module left door interlock)



## Assembly 66: TTM tray lift drive



Previous



Next



Go Back

Asm-index	Part number	FRUs/ mach	Units/ FRU	Description
1	40X3848	2	1	TTM tray lift coupling assembly
2	40X3847	2	1	TTM tray lift gear 17T
3	40X0880	2	1	Bushing 6 mm
4	40X3845	1	1	TTM tray 3 lift gear assembly
5	40X3846	1	1	TTM tray 4 lift gear assembly



## Assembly 67: TTM drive and electrical

Asm-index	Part number	FRUs/ mach	Units/ FRU	Description
1	40X3850	1	1	TTM controller card assembly
2	40X3849	1	1	TTM tray 4 transport drive motor assembly
3	40X3812	2	1	Tray module drive motor assembly
4	40X4068	1	1	Tray module left retaining bracket
5	40X3815	1	3	Media transport gear 33T
6	40X3813	1	1	Media transport gear 23/46T
7	40X3814	1	2	Media transport gear 46T
8	40X4034	1	1	Tray module retainer screw
9	40X4117	2	1	Front locking caster
10	40X4143	2	1	Rear non-locking caster
11	40X4069	1	1	Tray module right retaining bracket
12	40X4103	1	1	TTM main cable assembly

Previous



Next



Go Back

## Assembly 68: Miscellaneous

Asm-Index	Part number	Units/mach	Units/kit or pkg	Description
NS	40X4031	1	15	100K printer maintenance kit (110V) includes: <ul style="list-style-type: none"> <li>• 110V fuser unit assembly</li> <li>• Transfer belt cleaning assembly</li> <li>• 2nd transfer roll assembly</li> <li>• Feed rolls (4 each)</li> <li>• Pick rolls (4 each)</li> <li>• Separation rolls (4 each)</li> </ul>
NS	40X4093	1	15	100K printer maintenance kit (220V) includes: <ul style="list-style-type: none"> <li>• 220V fuser unit assembly</li> <li>• Transfer belt cleaning assembly</li> <li>• 2nd transfer roll assembly</li> <li>• Feed rolls (4 each)</li> <li>• Pick rolls (4 each)</li> <li>• Separation rolls (4 each)</li> </ul>
NS	40X4032	1	9	600K printer maintenance kit includes: <ul style="list-style-type: none"> <li>• (4) developer unit assemblies (empty)</li> <li>• C developer carrier</li> <li>• Y developer carrier</li> <li>• M developer carrier</li> <li>• K developer carrier</li> <li>• Transfer belt unit assembly</li> </ul>
NS	40X4033	1	2	Maintenance kit (ADF) <ul style="list-style-type: none"> <li>• Feed/pick roll assembly</li> <li>• Separation guide assembly</li> </ul>
NS	40X4088	1	1	Banner media tray assembly
NS	40X0948	1	1	Assorted E-clip packet
NS	40X0949	1	1	Assorted screw packet
NS	40X4101	1	1	MFP relocation kit
NS	56P2129	1	1	Lexmark MarkNet N7020e (4 USB ports) 1-0/100/1000 w/out power cord
NS	56P2744	1	1	N4050e 802.11g Wireless Print Server (Americas, Argentina, & Brazil) w/out power cord
NA	56P2745	1	1	N4050e 802.11g Wireless Print Server (European, UK/Ireland, & Australia) w/out power cord
NS	40X0269	1	1	Power cord—USA, Canada, Latin America, Asia Pacific LV 8ft right angle
NS	40X0270	1	1	Power cord—Japan 15A LV 8ft straight
NS	40X0271	1	1	Power cord—United Kingdom 8ft straight
NS	40X0273	1	1	Power cord—Chile, Italy, Uruguay HV 8ft straight
NS	40X0275	1	1	Power cord—Israel HV 8ft straight
NS	40X4596	1	1	Power cord—Brazil high amp LV 8ft straight
NS	40X0280	1	1	Power cord—Korea 10A HV 6ft straight
NS	40X0281	1	1	Power cord—Taiwan 13A LV 6ft straight
NS	40X0288	1	1	Power cord—Argentina HV 8ft straight
NS	40X0301	1	1	Power cord—Australia, New Zealand HV 8ft straight
NS	40X0303	1	1	Power cord—China HV 2.44 m straight
NS	40X1767	1	1	Power cord—Austria, Belgium, Brazil, France, Germany, Greece, Italy, Luxembourg, Netherlands, Nordic countries, Paraguay, Poland, Portugal, Russia, Senegal, Spain HV 8ft straight
NS	40X1772	1	1	Power cord—Liechtenstein, Switzerland HV 8ft straight

Previous



Next



Go Back

Asm-Index	Part number	Units/mach	Units/kit or pkg	Description
NS	40X1773	1	1	Power cord—South Africa, Hong Kong, Singapore, Thailand, Malaysia HV 8ft straight
NS	40X1774	1	1	Power cord—Denmark HV 8ft straight
NS	40X1508	1	1	128MB memory option
NS	40X1509	1	1	256MB memory option
NS	40X1510	1	1	512MB memory option
NS	40X1454	1	1	32MB flash card
NS	40X1455	1	1	64MB flash card
NS	40X2771	1	1	Bar code card assembly
NS	40X2773	1	1	PRESCRIBE card assembly
NS	40X2774	1	1	Printcryption card assembly
NS	40X2772	1	1	IPDS card assembly
NS	40X1512	1	1	Japanese font card
NS	40X1513	1	1	Simplified Chinese font card
NS	40X1514	1	1	Traditional Chinese font card
NS	40X1515	1	1	Korean font card
NS	40X1375	1	1	Marknet N8000 10/100BaseTX ethernet
NS	40X1376	1	1	Marknet N8020 10/100/1000BaseT Ethernet
NS	40X1377	1	1	Marknet N8030 10BaseFL & 100BaseFX Ethernet (multimode fiber)
NS	40X1378	1	1	Marknet N8050 802.11g wireless, US
NS	40X1562	1	1	Marknet N8050 802.11g wireless, International
NS	40X1593	1	1	Lexmark marknet N7000e (1 USB port) 10/100 ethernet
NS	40X1594	1	1	Lexmark marknet N7002e (1 parallel port) 10/100 ethernet
NS	40X1592	1	1	Lexmark marknet N7020e (4 USB ports) 10/100/1000 ethernet
NS	40X0290	1	1	RS232C serial interface card
NS	40X0291	1	1	Parallel 1284-B interface card

Previous



Next



Go Back

Previous



Next



Go Back

# Index

## Numerics

- 1TM main components [1-76](#)
- 1TM theory [1-72](#)
  - 1TM media feed units [1-75](#)
  - media transport [1-73](#)
  - media tray assembly [1-74](#)
- 3TM theory [1-65](#)
  - 3TM media feed units [1-68](#)
  - main components [1-69](#)
  - media transport [1-66](#)
  - media tray assembly [1-67](#)

## A

- accessing service menus [3-1](#)
- acronyms [1-83](#)
- ADF & scanner image quality
  - dark image quality [2-259](#)
- Asterisk button [2-4](#)

## B

- Backspace button [2-4](#)
- buttons
  - ? (Tips) [2-5](#)
  - Asterisk [2-4](#)
  - Back [2-12](#)
  - Backspace [2-4](#)
  - Cancel [2-11](#)
  - Cancel Job [2-10](#), [2-11](#)
  - Cancel Jobs [2-7](#)
  - Continue [2-11](#)
  - Copy [2-5](#)
  - Custom [2-11](#)
  - Dial Pause [2-4](#)
  - Done [2-12](#)
  - down arrow [2-10](#)
  - E-mail [2-5](#)
  - Fax [2-6](#)
  - FTP [2-6](#)
  - gray [2-12](#)
  - grayed out [2-12](#)
  - Held Faxes [2-6](#)
  - Held Jobs [2-6](#)
  - Home [2-4](#), [2-12](#)
  - left arrow [2-9](#)
  - left scroll decrease [2-8](#)
  - Lock Device [2-6](#)
  - Menus [2-5](#)
  - numeric keypad [2-3](#)
  - Pound [2-3](#)
  - Release Held Faxes [2-6](#)
  - right arrow [2-9](#)
  - right scroll increase [2-8](#)
  - Search Held Jobs [2-6](#)
  - Select [2-11](#)
  - select [2-8](#)

- selected radio [2-10](#)
- Start [2-4](#)
- Status/Supplies [2-5](#)
- Stop [2-4](#)
- Unlock Device [2-7](#)
- unselected radio [2-10](#)

## C

- Cancel Job button [2-10](#), [2-11](#)
- Configuration Menu
  - ADF Edge Erase [3-42](#)
  - available menus [3-35](#)
  - Disk Encryption [3-43](#)
  - Energy Conserve [3-41](#)
  - entering [3-35](#)
  - Envelope Prompts [3-43](#)
  - EVENT LOG [3-42](#)
  - Factory Defaults [3-41](#)
  - FB Edge Erase [3-42](#)
  - Font Sharpening [3-48](#)
  - Format Fax Storage [3-42](#)
  - Jobs On Disk [3-43](#)
  - Key Repeat Initial Delay [3-50](#)
  - Key Repeat Rate [3-50](#)
  - LES Applications [3-49](#)
  - Maintenance Counter Value [3-37](#)
  - Min Copy Memory [3-41](#)
  - Panel Menus [3-40](#)
  - Paper Prompts [3-43](#)
  - PPDS Emulation [3-40](#)
  - Print Quality Pages [3-38](#)
  - Require Standby [3-49](#)
  - Reset Maintenance Counter [3-37](#)
  - Short Edge Printing [3-49](#)
  - SIZE SENSING [3-39](#)
  - Tray Low Message [3-49](#)
  - Wipe Disk [3-46](#)
- connectivity [1-1](#)
- Continue button [2-11](#)
- control panel [2-3](#)
  - Asterisk [2-4](#)
  - Backspace [2-4](#)
  - Dial Pause [2-4](#)
  - Home [2-4](#)
  - LCD [2-3](#)
  - numeric keypad [2-3](#)
  - pound [2-3](#)
  - Start [2-4](#)
  - Stop [2-4](#)

## D

- diagnostic aids [3-1](#)
  - accessing service menus [3-1](#)
- diagnostic information
  - confirm the installation status [2-2](#)

Previous



Next



Go Back

- Power-on Reset sequence **2-2**
- Diagnostic Menu
  - entering diagnostic menus **3-2**
- diagnostics
  - error code table **2-13**
- Diagnostics Menu
  - available tests **3-2**
  - BASE SENSOR TEST **3-15**
  - DEVICE TESTS **3-16**
    - Disk Test/Clean **3-17**
    - Quick Disk Test **3-16**
  - DUPLEX TESTS
    - 3-9, 3-10**
    - Quick Test **3-9**
  - EVENT LOG **3-20**
    - Clear the Event Log **3-22**
    - Display the Event Log **3-21**
    - Print the Event Log **3-22**
  - FINISHER TESTS
    - Feed Tests **3-13**
    - Hole Punch Test **3-13**
    - Sensor Test **3-13**
    - Staple Test **3-12**
  - HARDWARE TESTS **3-8**
    - Button Test **3-8**
    - CACHE Test **3-9**
    - DRAM Test **3-9**
    - Panel Test **3-8**
  - INPUT TRAY TESTS
    - Feed Tests **3-10**
    - Sensor Test **3-11**
  - MOTOR TESTS **3-6**
  - OUTPUT TRAY TESTS
    - Feed Tests **3-11**
    - Feed To All Bins **3-12**
    - Sensor Test **3-12**
  - PRINT TESTS **3-7**
  - PRINTER SETUP **3-18**
    - Configuration ID **3-19**
    - Defaults **3-18**
    - Engine Setting 1 to 4 **3-19**
    - Model Name **3-19**
    - Permanent Page Count **3-19**
    - Printed Page Count **3-18, 3-19**
    - Serial Number **3-19**
  - SCANNER TESTS
    - ASIC Test **3-23**
    - Feed Test **3-23**
    - Scanner Manual Registration **3-24**
    - Scanner manual registration factory defaults **3-33**
    - Sensor Test **3-24**
- Dial Pause button **2-4**
- down arrow button **2-10**
- Duplex **1-79**

**E**

- environment **1-1**
- error codes
  - 200.00 sensor (registration) late jam **2-39**
  - 200.01 sensor (registration) lag jam **2-40**

- 200.01 sensor (registration) late jam **2-43**
- 200.01 sensor (registration) static jam **2-42**
- 201.00 sensor (fuser exit) late jam **2-44**
- 202.00 sensor (fuser exit) lag jam **2-46**
- 230.00 sensor (duplex wait) late jam (duplex media feed) **2-47**
- 231.00 sensor (registration) late jam (duplex feed) **2-49**
- 231.01 sensor (registration) late jam (duplex media feed) **2-51**
- 241.00 sensor (tray 1 feed-out) late jam **2-53**
- 242.00 sensor (tray 2 feed-out) late jam **2-55**
- 242.01 sensor (tray 1 feed-out) late jam (feeding from tray 2) **2-56**
- 243.00 sensor (tray 3 feed-out) late jam **2-57**
- 243.01 sensor (tray 2 feed-out) late jam (feeding from tray 3) **2-59**
- 244.00 sensor (tray 4 feed-out) late jam **2-61**
- 244.01 sensor (tray 3 feed-out) on jam (feeding from tray 4) **2-63**
- 250.00 sensor (registration) late jam (feeding from the MPF) **2-64**
- 290.00 switch (sheet through) static jam **2-66**
- 290.01 sensor (sheet through) late jam **2-67**
- 290.02 sensor (ADF pre-registration) late jam (side 1) **2-69**
- 290.03 sensor (ADF pre-registration) lag jam **2-70**
- 290.10 sensor (ADF pre-registration) static jam **2-73**
- 290.11 sensor (ADF registration) late jam (side 1) **2-74**
- 290.12 sensor (ADF registration) late jam (side 2) **2-75**
- 290.13 sensor (ADF registration) lag jam **2-78**
- 290.14 sensor (ADF inverter) late jam (inverting) **2-80**
- 290.15 sensor (ADF registration) lag jam (inverting) **2-82**
- 290.20 Sensor (ADF width APS1), sensor (ADF width APS2) and sensor (ADF width APS3) static jam **2-85**
- 290.21 sensor (ADF width APS 1) static jam **2-86**
- 290.22 sensor (ADF width APS 2) static jam **2-87**
- 290.23 sensor (ADF width APS 3) static jam **2-88**
- 291.00 sensor (ADF registration) static jam **2-89**
- 291.01 sensor (ADF inverter) lag jam (inverting) **2-89**
- 291.02 sensor (ADF inverter) late jam **2-91**
- 291.03 sensor (ADF inverter) lag jam **2-93**
- 292.01 ADF raised jam **2-95**
- 292.02 ADF left cover jam **2-95**
- 293.00 Document missing jam **2-95**
- 294.00 sensor (ADF inverter) static jam **2-96**
- 294.01 sensor (ADF pre-registration) late jam (side 2) **2-97**
- 294.02 sensor (ADF pre-registration) lag jam (inverting) **2-99**
- 295.00 size mismatch jam (mix-size) **2-102**
- 295.01 size mismatch jam (no mix-size) **2-104**
- 295.02 invalid combine size jam **2-105**
- 295.03 too short size jam **2-106**
- 295.04 too long size jam **2-107, 2-109**
- 295.05 mixed size not supported **2-109**
- 841.00 image pipeline ASIC failure **2-109**
- 842.00 scanner communication failure **2-110**

Previous



Next



Go Back



- 842.01 scanner communication failure **2-111**
- 842.02 scanner communication failure **2-112**
- 842.03 scanner communication failure **2-112**
- 842.04 scanner communication failure **2-113**
- 842.10 scanner unit assembly - ADF communication failure **2-113**
- 842.11 scanner communication failure (by scanner) **2-114**
- 842.12 scanner unit assembly communication failure **2-114**
- 843.00 sensor (scanner HP) failure **2-115**
- 843.01 scanner carriage over run failure **2-116**
- 843.10 ADF RAM test failure **2-117**
- 843.11 ADF EEPROM failure **2-117**
- 843.12 ADF pick roll position lift up failure **2-117**
- 843.20 scanner unit assembly connection failure **2-119**
- 843.21 scanner unit assembly EEPROM failure **2-119**
- 843.22 scanner unit assembly EEPROM sub system failure **2-119**
- 843.23 scanner cooling fan failure **2-120**
- 843.24 image processing failure **2-121**
- 843.25 scanner controller card assembly failure **2-121**
- 843.26 scanner controller card assembly failure **2-122**
- 844.00 exposure lamp error **2-122**
- 844.01 white reference/exposure lamp illumination error **2-123**
- 845.00 CCD error **2-124**
- 845.01 CCD initialization (lamp on) error **2-125**
- 845.02 CCD initialization (lamp off) error **2-126**
- 846.00 scanner communication error **2-126**
- 846.01 scanner communication error **2-127**
- 846.10 sensor (ADF width APS X) error **2-127**
- 846.12 scanner unit assembly software logic error **2-129**
- 846.13 switch (platen interlock) open **2-129**
- 847.00 modem error **2-130**
- 847.01 fax storage error **2-130**
- 848.00 Fax/modem configuration ID mismatch **2-131**
- 849.00 hard drive/configuration ID mismatch **2-131**
- 901.XX RIP card assembly software error **2-134, 2-135, 2-136, 2-137, 2-138, 2-139, 2-140, 2-141**
- 903.00 K developer/transport drive assembly motor error **2-142**
- 903.01 K PC drive motor error **2-143**
- 903.02 CMY PC drive motor error **2-144**
- 903.03 developer drive motor error **2-145**
- 904.00 NVM data failure **2-151**
- 904.00 Sensor (transfer belt HP) late error **2-146**
- 904.01 transfer belt position failure **2-151**
- 904.02 Sensor (transfer belt edge) failure **2-156**
- 904.03 sensor (2nd transfer roll retract HP) late error **2-159**
- 904.04 sensor (2nd transfer roll retract HP) lag error **2-160**
- 904.05 sensor (CMY transfer roll retract HP) late error **2-162**
- 904.06 sensor (CMY transfer roll retract HP) lag error **2-164**
- 904.07 CMY transfer roll retract motor time out **2-166**
- 905.00 NVM read/write cannot be executed failure **2-167**
- 905.01 marking device video error **2-167**
- 905.02 marking device Xerographics error **2-168**
- 905.03 marking device other1 error **2-168**
- 905.04 marking device paper handling error **2-168**
- 905.05 marking device other2 error **2-168**
- 907.00 printhead polygon mirror motor error **2-168**
- 907.01 SOS internal error **2-169**
- 907.02 SOS internal error **2-169**
- 907.03 SOS internal error **2-170**
- 907.04 SOS internal error **2-170**
- 907.05 printhead control error **2-171**
- 908.00 waste toner full error **2-171**
- 911.00 24V LVPS cooling fan error **2-172**
- 911.01 transfer belt drive motor cooling fan error **2-172**
- 911.02 fuser cooling fan lock error **2-173**
- 918.00 standard media exit shift error **2-173**
- 920.00 fuser main lamp overheat error **2-174**
- 920.01 front thermistor disconnection error **2-174**
- 920.01 magenta toner RFID communication error **2-179, 2-184**
- 920.02 fuser sub lamp overhead error **2-175**
- 920.03 rear thermistor disconnection error **2-175**
- 920.04 main lamp warm up error **2-176**
- 920.05 main lamp on-time error **2-177**
- 920.06 sub lamp warm-up failure **2-177**
- 920.07 sub lamp on-time error **2-178**
- 924.00 yellow toner RFID communication error **2-178, 2-183**
- 924.02 cyan toner RFID communication error **2-180, 2-184**
- 924.03 black toner RFID communication error **2-180, 2-184**
- 925.00 fsensor (C ATC) error **2-182**
- 925.00 sensor (K ATC) error **2-183**
- 925.00 sensor (M ATC) error **2-181**
- 925.00 sensor (Y ATC) error **2-181**
- 940.00 MPF tray 5 size sensing error **2-185**
- 941.00 switch (media size) size sensing error (tray 1) **2-185**
- 941.01 sensor (media level) late error (tray 1) **2-186**
- 942.00 switch (media size) size sensing error (tray 2) **2-187**
- 942.01 sensor (media level) late error (tray 2) **2-188**
- 943.00 switch (media size) size sensing error (tray 3) **2-189**
- 943.01 sensor (media level) late error (tray 3) **2-190**
- 944.00 switch (media size) size sensing error (tray 4) **2-191**
- 944.01 sensor (media level) late error (tray 4) **2-192**
- 950.00 through 950.29 EPROM mismatch failure **2-193**
- 950.30 through 950.60 EPROM mismatch failure **2-193**
- 951.XX RIP card assembly NVRAM failure **2-194**
- 952.XX Interconnect card NVRAM CRC failure **2-194**
- 953.XX operator panel assembly NVRAM failure **2-195**
- 954.XX interconnect card assembly NVRAM failure **2-195**
- 955.XX RIP card assembly NAND CRC failure **2-196**

Previous



Next



Go Back

956.00 RIP card assembly processor failure **2-196**  
 956.01 RIP card assembly processor over temperature failure **2-197**  
 956.02 RIP card assembly cooling fan failure **2-197**  
 956.03 RIP card assembly FPGA failure **2-197**  
 980.00 communication error with 1TM, 3TM, or TTM assembly **2-198**  
 980.01 HVPS controller communication error **2-198**  
 980.02 communication error between printer and RIP card assembly **2-199**  
 980.03 communication error with finisher controller card assembly **2-199**

error messages

- PC cartridge invalid **2-215**
- PC cartridge not detected **2-215**
- toner cartridge detection error **2-220**
- toner cartridge empty **2-219**
- toner cartridge nearly empty **2-218**
- 1TM, 3TM or TTM left door assembly open **2-200**
- ADF left cover assembly is open **2-211**
- ADF maintenance required **2-210**
- black toner cartridge detection error **2-109**
- CMY PC cartridge exhausted **2-216**
- CMY PC cartridges nearly exhausted **2-216**
- duplex left door assembly open **2-201**
- incorrect toner cartridge error **2-220**
- incorrect black toner cartridge error **2-220**
- K PC cartridge exhausted **2-217**
- K PC cartridge nearly exhausted **2-217**
- media size mismatch in width **2-202, 2-203**
- no media in the select media tray **2-204**
- paper is installed (short edge) in the media paper tray **2-205**
- PC cartridge end of life **2-206**
- printer front door open **2-206**
- printer left door open **2-207**
- printer left lower door open **2-209**
- scanner unit assembly not detected **2-211**
- scheduled maintenance required **2-209, 2-210**
- standard bin full **2-210**
- toner cartridge error **2-212**
- toner cartridge set error **2-212**
- transfer belt access door open **2-208**
- tray 1 media size mismatch error **2-221**
- tray 1 media type mismatch error **2-223**
- tray 2 media size mismatch error **2-221**
- tray 2 media type mismatch error **2-224**
- tray 3 media size mismatch error **2-222**
- tray 3 media type mismatch error **2-225**
- tray 4 media size mismatch error **2-223**
- tray 4 media type mismatch error **2-226**
- waste toner cartridge full **2-213**
- waste toner cartridge nearly full **2-214**
- waste toner cartridge not detected **2-214**

ESD-sensitive parts **4-1**  
 exiting Configuration Menu **3-50**  
 exiting Diagnostics Menu **3-34**

## H

Home button **2-4, 2-12**

## I-4 Service Manual

Home screen **2-5**  
 buttons **2-5**  
 home screen  
 status message bar **2-5**

## I

image quality trouble **2-228**  
 blank print (no print) **2-231**  
 faint print (low contrast) **2-229**  
 image quality **2-229, 2-259**  
 solid black **2-233**  
 troubleshooting **2-228, 2-258**  
 vertical blank lines (white stripes in media transport direction) **2-234**

image quality troubles

- after image **2-245**
- background (fog) **2-247**
- color misregistration **2-254**
- deletions **2-255**
- horizontal stripes **2-240**
- horizontal white stripes or bands (side to side direction) **2-236**
- media damage **2-251, 2-263**
- no fuse **2-253**
- partial lack **2-242**
- skew **2-249, 2-262**
- spots **2-244, 2-261**
- vertical stripes **2-238, 2-260**

indicator light **2-3**

## L

LCD touch-screen features

- Attendance message alert **2-12**
- Menu trail line **2-12**

left arrow button **2-9**  
 left scroll decrease button **2-8**  
 light, indicator **2-3**  
 lubrication specification **6-3**

## M

maintenance scheduled **6-3**  
 memory **1-1**  
 menus **2-264**  
 models **1-1**

## N

navigation bar **2-5**  
 numeric keypad **2-3**

## O

operator panel  
 understanding **2-264**

options and features  
 description **1-3**

## P

parts catalog

- ADF assembly **7-38**
- ADF covers and components **7-39**
- ADF document tray **7-51**
- ADF feeder **7-42**



- ADF feeder roll [7-48](#)
  - ADF left cover components [7-44](#)
  - ADF media guide [7-46](#)
  - ADF motor unit [7-50](#)
  - miscellaneous [7-92](#)
  - Pound button [2-3](#)
  - preventive maintenance [6-1](#)
  - printer overview [1-3](#)
    - basic model [1-3](#)
    - configured model [1-4](#)
  - printer technology [1-1](#)
  - printer theory [1-5](#)
    - control [1-26](#)
      - ADF document size detection [1-52](#)
      - document scanning steps [1-54](#)
      - document size detection at scanner unit assembly [1-50](#)
      - fuser control [1-27](#)
      - media size control [1-26](#)
      - printhead control [1-26](#)
    - document scanning [1-34](#)
      - document scanning at ADF [1-35](#)
      - document scanning at platen [1-34](#)
    - drive [1-20](#)
      - CMY developer drive motor assembly [1-22](#)
      - CMY toner add motor assembly [1-22](#)
      - CMYK PC cartridge drive motor assembly [1-21](#)
      - K developer clutch [1-22](#)
      - K developer/transport drive motor assembly [1-20](#)
      - MPF/transport drive motor [1-20](#)
      - waste toner agitator motor assembly [1-23](#)
    - drive torque transfer scheme [1-42](#)
      - ADF feed motor assembly [1-42](#)
      - ADF registration motor [1-42](#)
    - electrical components and controller [1-23](#)
    - exit [1-19](#), [1-20](#)
    - functions of main components [1-7](#)
      - bottom plate [1-8](#)
      - end guide [1-8](#)
      - media tray assembly [1-7](#)
      - rear media guide [1-8](#)
    - image data flow [1-41](#)
    - media size [1-10](#)
    - media transport [1-5](#)
      - media transport path [1-5](#)
      - MFP sensors [1-7](#)
    - media tray assembly [1-8](#)
      - detection of media size [1-8](#)
      - media feed unit assembly [1-8](#)
      - media feed/lift motor [1-9](#)
      - sensor (feed-out) [1-9](#)
      - sensor (media level) [1-9](#)
      - sensor (media out) [1-9](#)
      - switch (media size) [1-9](#), [1-61](#)
    - multi-purpose feeder (MPF) [1-9](#)
      - MPF feed roll [1-10](#)
      - MPF pick solenoid [1-10](#)
      - sensor (MPF media out) [1-10](#)
      - sensor (MPF media width) [1-10](#)
  - names and functions of components [1-45](#)
    - ADF [1-46](#)
      - scanner unit assembly [1-45](#)
    - printhead assembly [1-14](#)
      - front thermistor [1-19](#)
      - fuser exit sensor [1-19](#)
      - heat roll [1-18](#)
      - heater lamp [1-19](#)
      - pressure belt [1-19](#)
      - printhead shutter [1-17](#)
      - rear thermistor [1-19](#)
      - thermostat [1-19](#)
    - registration [1-11](#)
      - media transport roll assembly [1-11](#)
      - registration clutch [1-11](#)
      - registration roll assembly [1-11](#)
      - sensor (registration) [1-11](#)
      - sensor (transparency detect) [1-11](#)
    - standard media exit roll assembly [1-20](#)
      - duplex diverter gate [1-20](#)
      - sensor (standard bin full) [1-20](#)
      - standard media exit shift motor [1-20](#)
    - transfer [1-12](#)
      - 2nd transfer roll assembly [1-13](#)
      - 2nd transfer roll retract motor [1-13](#)
      - sensor (2nd transfer roll HP) [1-14](#)
      - transfer belt cleaning assembly [1-12](#)
      - transfer belt drive motor assembly [1-12](#)
      - transfer belt steering motor [1-13](#)
      - transfer belt unit assembly [1-13](#)
    - xerographic process during a print cycle [1-28](#)
  - processor [1-1](#)
- ## R
- radio button
    - selected [2-10](#)
    - unselected [2-10](#)
  - removals
    - duplex media inverter assembly [4-9](#)
    - duplex unit assembly [4-10](#)
    - feed roll [4-115](#)
    - front left cover [4-9](#)
    - MPF feed unit assembly [4-8](#)
    - pick roll [4-116](#)
    - printer front door assembly [4-3](#)
    - printer left lower door assembly [4-8](#)
    - rear cover assembly [4-5](#)
    - rear left middle cover [4-6](#)
    - rear left upper cover [4-7](#)
    - right cover assembly [4-4](#)
    - sensor (media level) [4-34](#)
    - sensor (media out) [4-32](#)
    - sensor (RFID PC cartridge) and sensor (RFID toner cartridge) [4-117](#)
    - separation roll [4-117](#)
    - switch (media size) [4-121](#), [4-189](#)
    - top cover assembly [4-4](#)
  - removals—2000-sheet dual input (TTM)
    - 2TM/TTM controller card assembly [4-212](#), [4-238](#), [4-259](#)



- 2TTM/TTM left door assembly [4-207](#), [4-236](#), [4-257](#)
  - caster [4-174](#)
  - drive motor assembly [4-210](#), [4-212](#), [4-237](#), [4-238](#), [4-259](#)
  - feed roll [4-200](#), [4-229](#), [4-251](#)
  - feed roll one-way clutch [4-201](#), [4-230](#), [4-252](#)
  - foot cover [4-172](#)
  - front cable assembly [4-181](#)
  - left cover [4-174](#)
  - media feed lift motor [4-193](#), [4-224](#), [4-246](#)
  - media feed unit assembly (tray 3) [4-190](#), [4-220](#), [4-222](#)
  - media feed unit assembly (tray 4) [4-186](#), [4-216](#), [4-243](#)
  - media feed unit drive gear 13 tooth [4-197](#), [4-226](#), [4-248](#)
  - media feed unit drive gear 28/21T [4-200](#), [4-229](#), [4-251](#)
  - media feed unit drive gear 29T [4-200](#), [4-229](#), [4-251](#)
  - media guide rack and pinion [4-182](#)
  - media out actuator [4-197](#), [4-226](#), [4-248](#)
  - media transport roll assembly [4-192](#), [4-246](#)
  - one-way 22T [4-202](#), [4-231](#), [4-253](#)
  - one-way clutch/gear assembly [4-195](#), [4-225](#), [4-246](#)
  - pick roll [4-206](#), [4-235](#), [4-256](#)
  - pick roll idler gear 33T [4-206](#), [4-235](#), [4-256](#)
  - rear cover [4-174](#)
  - right cover [4-173](#)
  - sensor (media level) [4-198](#), [4-227](#), [4-249](#)
  - sensor (media out) [4-199](#), [4-228](#), [4-250](#)
  - sensor (tray 3 feed-out) [4-192](#), [4-223](#)
  - sensor (tray 4 feed-out) [4-188](#), [4-217](#), [4-244](#)
  - separation roll [4-204](#), [4-233](#), [4-255](#)
  - separation roll one-way friction clutch [4-203](#), [4-232](#), [4-254](#)
  - switch (2TM/TTM left door interlock) [4-208](#), [4-236](#), [4-258](#)
  - switch (TTM media size) [4-189](#), [4-190](#), [4-219](#), [4-245](#)
  - top cover [4-172](#)
  - tray 3 assembly [4-178](#)
  - tray 3 front cover [4-178](#)
  - tray 3 lift gear assembly [4-209](#)
  - tray 3 media guide lock assembly [4-182](#)
  - tray 4 assembly [4-177](#)
  - tray 4 front cables [4-120](#), [4-185](#)
  - tray 4 front cover [4-182](#)
  - tray 4 lift gear assembly [4-209](#)
  - tray 4 media guide lock assembly [4-186](#)
  - tray 4 media guide rack and pinion [4-186](#)
  - tray 4 rear cables [4-182](#)
  - tray 4 transport assembly [4-182](#)
  - tray support roll [4-175](#)
  - removals—3X 500-sheet drawer (3TM)
    - top cover [4-213](#), [4-214](#), [4-215](#), [4-216](#), [4-239](#), [4-240](#), [4-241](#), [4-242](#), [4-243](#)
  - removals—ADF
    - actuator/media guide assembly [4-159](#)
    - ADF controller card assembly [4-145](#)
    - ADF exit roll assembly [4-163](#)
    - ADF feed drive motor assembly [4-141](#)
    - ADF feed/pick roll assembly [4-149](#)
    - ADF feed-out roll assembly [4-160](#)
    - ADF front cover assembly [4-138](#)
    - ADF left cover assembly [4-139](#)
    - ADF left cover media guide [4-151](#)
    - ADF media feed assembly [4-142](#)
    - ADF rear cover [4-138](#)
    - ADF registration motor [4-166](#)
    - ADF registration roll assembly [4-159](#)
    - ADF separation roll guide assembly [4-162](#)
    - ADF transport roll assembly [4-164](#)
    - ADF unit assembly [4-136](#)
    - document set actuator [4-150](#)
    - document set LED [4-147](#)
    - document tray assembly [4-144](#)
    - inverter gate [4-159](#)
    - inverter solenoid assembly [4-146](#)
    - left cover pinch roll assembly [4-141](#)
    - media scan guide [4-142](#)
    - pick roll position motor assembly [4-151](#)
    - platen cushion [4-123](#), [4-137](#)
    - sensor (ADF inverter) [4-158](#)
    - sensor (ADF pre-registration) [4-157](#)
    - sensor (ADF registration) [4-156](#)
    - sensor (ADF width APS 1) [4-153](#)
    - sensor (ADF width APS 2) [4-154](#)
    - sensor (ADF width APS 3) [4-155](#)
    - sensor (document set) [4-164](#)
    - sensor (document tray length 1) [4-170](#)
    - sensor (document tray length 2) [4-171](#)
    - sensor (document tray width 1) [4-167](#)
    - sensor (document tray width 2) [4-168](#)
    - sensor (document tray width 3) [4-169](#)
    - sensor (pick roll position HP) [4-148](#)
    - sensor (sheet through) [4-165](#)
    - sheet through actuator [4-147](#)
    - switch (ADF left cover interlock) [4-152](#)
  - removals—scanner
    - ADF angle actuator assembly [4-132](#)
    - CCD card/lens assembly [4-126](#)
    - exposure lamp [4-129](#)
    - exposure lamp PS card assembly [4-129](#)
    - large platen glass [4-124](#)
    - operator panel assembly [4-126](#)
    - scanner controller card assembly [4-130](#)
    - scanner drive motor assembly [4-128](#)
    - scanner left cover [4-124](#)
    - scanner right cover [4-125](#)
    - sensor (ADF angle) [4-132](#)
    - sensor (scanner HP) [4-131](#)
  - right arrow button [2-9](#)
  - right scroll increase button [2-8](#)
- ## S
- safety information [ii-xxvii](#)
  - safety inspection guide [6-1](#)
  - scheduled maintenance [6-3](#)
  - select button [2-8](#)
  - Service checks [2-39](#)
  - service checks
    - 900.xx System software [2-132](#)
  - service error



900.xx System software error **2-132**  
size and weight - without finisher **1-1**  
specifications **1-1**  
Start button **2-4**  
status message bar **2-5**  
Stop button **2-4**

## T

tools required **1-82**  
TTM theory **1-56**  
  main components **1-62**  
  media transport **1-57**  
  media tray assembly **1-58**  
  TTM media feed units **1-61**

Previous



Next



Go Back

Previous



Next



Go Back

## Part number index

P/N	Description	Page
40X0269	Power cord—USA, Canada, Latin America, Asia Pacific LV 8ft right angle	7-92
40X0270	Power cord—Japan 15A LV 8ft straight	7-92
40X0271	Power cord—United Kingdom 8ft straight	7-92
40X0273	Power cord—Chile, Italy, Uruguay HV 8ft straight	7-92
40X0275	Power cord—Israel HV 8ft straight	7-92
40X0280	Power cord—Korea 10A HV 6ft straight	7-92
40X0281	Power cord—Taiwan 13A LV 6ft straight	7-92
40X0288	Power cord—Argentina HV 8ft straight	7-92
40X0290	RS232C serial interface	7-93
40X0291	Parallel 1284-B interface card	7-93
40X0297	Power cord—China HV 6ft straight	7-92
40X0301	Power cord—Australia, New Zealand HV 6ft straight	7-92
40X0507	Fax interface card cable assembly	7-37
40X0553	Switch (transfer access door interlock)	7-2
40X0589	Sensor (ADF registration)	7-47
40X0590	Pick roll assembly spring	7-10, 7-66
40X0594	Feed unit roll kit	7-10, 7-66, 7-75
40X0613	Hinge pin	7-8
40X0636	Sensor (RFID toner cartridge)	7-27
40X0708	TTM large idler pulley kit	7-84
40X0711	TTM tray separation pad	7-84, 7-85
40X0723	TTM tray 4 rear support roll (2)	7-85
40X0755	MPF pickup spring	7-12
40X0840	Switch (printer front door interlock)	7-2
40X0840	Switch (printer left door interlock)	7-20
40X0880	Bushing 6 mm	7-25, 7-89
40X0888	Bushing 6 mm	7-10, 7-66, 7-75
40X0948	Assorted E-clip packet	7-92
40X0949	Assorted screw packet	7-92
40X0952	Bushing 6 mm	7-10, 7-66, 7-75
40X1375	Marknet N8000 10/100BaseTX ethernet	7-93
40X1376	Marknet N8020 10/100/1000BaseT Ethernet	7-93
40X1377	Marknet N8030 10BaseFL & 100BaseFX Ethernet (multimode fiber)	7-93
40X1378	Marknet N8050 802.11g wireless, US	7-93
40X1381	Bushing 8 mm	7-13
40X1454	32MB flash card	7-93
40X1455	64MB flash card	7-93
40X1508	128MB memory option	7-93
40X1509	256MB memory option	7-93
40X1510	512MB memory option	7-93
40X1512	Japanese font card	7-93
40X1513	Simplified Chinese font card	7-93
40X1514	Traditional Chinese font card	7-93
40X1515	Korean font card	7-93
40X1562	Marknet N8050 802.11g wireless, International	7-93
40X1592	Lexmark marknet N7020e (4 USB ports) 10/100/1000 ethernet	7-93
40X1593	Lexmark marknet N7000e (1 USB port) 10/100 ethernet	7-93
40X1594	Lexmark marknet N7002e (1 parallel port) 10/100 ethernet	7-93
40X1767	Power cord—Austria, Belgium, Brazil, France, Germany, Greece, Italy, Luxembourg, Netherlands, Nordic countries, Paraguay, Poland, Portugal, Russia, Senegal, Spain HV 8ft straight	7-92
40X1772	Power cord—Liechtenstein, Switzerland HV 8ft straight	7-92
40X1773	Power cord—South Africa, Hong Kong, Singapore, Thailand, Malaysia HV 8ft straight	7-93
40X1774	Power cord—Denmark HV 8ft straight	7-93
40X2208	Large platen glass	7-56

Previous



Next



Go Back



40X2213	Small platen glass front retainer	7-56
40X2214	Small platen glass	7-56
40X2215	Small platen glass rear retainer	7-56
40X2217	Card mounting screw	7-57
40X2222	Switch (platen interlock)	7-54
40X2223	Sensor (ADF angle)	7-54
40X2223	Sensor (ADF inverter)	7-47
40X2223	Sensor (ADF pre-registration)	7-47
40X2223	Sensor (ADF width APS 1)	7-47
40X2223	Sensor (ADF width APS 2)	7-47
40X2223	Sensor (ADF width APS 3)	7-47
40X2223	Sensor (document set)	7-49
40X2223	Sensor (document tray width 1)	7-51
40X2223	Sensor (document tray width 2)	7-51
40X2223	Sensor (document tray width 3)	7-51
40X2223	Sensor (pick roll position HP)	7-45
40X2223	Sensor (scanner HP)	7-60
40X2223	Sensor (sheet through)	7-50
40X2224	ADF angle actuator assembly	7-54
40X2226	Scanner drive belt	7-60
40X2229	Scanner drive motor tension spring	7-60
40X2229	Tension spring	7-50
40X2232	2nd/3rd mirror	7-59
40X2233	Scanner mirror clip	7-59
40X2234	1st mirror	7-59
40X2238	ADF mounting screw	7-38
40X2239	Platen cushion	7-38
40X2243	Document tray hinge	7-39
40X2244	ADF rear cover	7-39
40X2245	ADF front cover assembly	7-39
40X2246	Small hook/loop strip	7-39
40X2247	Large hook/loop strip	7-41
40X2248	Solenoid/interlock cable assembly	7-41
40X2256	Inverter lever	7-43
40X2257	ADF left hinge	7-41
40X2258	ADF right hinge	7-41
40X2259	ADF interface cable assembly	7-41
40X2264	Document set/sheet through cable assembly	7-43
40X2265	Registration motor cable assembly	7-43
40X2266	ADF feed motor cable assembly	7-43
40X2267	Left cover hinge retainer	7-43
40X2269	Stud screw	7-43
40X2270	Registration main drive belt	7-43
40X2271	Inverter solenoid assembly	7-43
40X2272	Document set LED	7-43
40X2273	Separation roll guide assembly (this comes assembled)	7-43
40X2275	Sheet through actuator	7-45
40X2276	Left cover pinch roll assembly	7-45
40X2277	Pick roll position motor assembly	7-45
40X2278	Pick roll position cable assembly	7-45
40X2279	Document set front stop	7-45
40X2283	Document set actuator	7-45
40X2286	Switch (ADF left cover interlock)	7-47
40X2288	ADF main feed cable assembly	7-47
40X2289	Inverter gate	7-47
40X2290	Actuator/media guide assembly	7-47
40X2291	Plastic ring clip 6 mm	7-45
40X2291	Plastic ring clip kit	7-49
40X2320	Sensor (platen length APS 1)	7-54





40X2321	Left cover media guide	7-45
40X2325	ADF registration motor	7-50
40X2327	ADF feed motor assembly (this comes assembled)	7-43
40X2327	ADF feed motor assembly (this comes complete)	7-50
40X2330	Spring	7-41, 7-45
40X2333	ADF registration roll assembly	7-49
40X2334	ADF feed-out roll assembly	7-49
40X2335	ADF exit roll assembly	7-49
40X2336	ADF transport roll assembly	7-49
40X2337	Bearing 8 mm	7-49
40X2338	Bushing 6 mm	7-49
40X2339	Bushing 8 mm	7-49
40X2340	Registration roll drive pulley 28T	7-49
40X2341	Feed-out roll drive pulley 25/28T	7-49
40X2342	Exit roll drive pulley 20T	7-49
40X2343	Transport roll drive gear 20T	7-49
40X2344	Manual feed drive pulley	7-49
40X2345	Manual feed drive belt	7-49
40X2346	Manual feed drive wheel	7-49
40X2347	Exit roll drive belt	7-49
40X2348	Tension spring	7-49
40X2349	Registration main drive pulley 21/54T	7-49
40X2350	Registration secondary drive belt	7-49
40X2351	Retainer spring	7-49
40X2354	Registration pad	7-41
40X2359	Interconnect card assembly	7-37
40X2360	Fax interface card assembly	7-37
40X2362	Operator panel user touch screen	7-56
40X2363	Operator panel controller card assembly	7-56
40X2364	Operator panel inverter card assembly	7-56
40X2365	USB interface card assembly	7-56
40X2381	Document set rear stop	7-45
40X2383	ADF main feed assembly	7-43
40X2383	ADF main feed assembly (this comes assembled)	7-49
40X2771	Bar code card assembly	7-93
40X2772	IPDS card assembly	7-93
40X2773	PRESCRIBE card assembly	7-93
40X2774	Printcrypton card assembly	7-93
40X3667	CMYK PC cartridge drive motor assembly	7-5
40X3668	Transfer belt drive motor assembly	7-5
40X3669	CMY developer drive motor assembly	7-5
40X3670	Developer and transport drive motor assembly	7-5
40X3671	Developer idler gear assembly	7-5
40X3672	MPF/transport drive motor assembly	7-5
40X3673	Transfer belt steering motor	7-6
40X3674	Image density sensor assembly	7-6
40X3675	Media tray catch	7-7, 7-64, 7-73, 7-82
40X3676	Media tray side	7-7
40X3676	Media tray slide	7-64, 7-73, 7-82
40X3677	Switch (media size)	7-7, 7-64, 7-73, 7-82
40X3678	Media tray assembly	7-7, 7-64, 7-73, 7-82
40X3679	Media feed assembly	7-8
40X3679	Media feed unit assembly	7-10, 7-64, 7-66, 7-73, 7-75, 7-86, 7-87
40X3680	Printer left lower door assembly	7-8
40X3681	Sensor (tray 1 feed-out)	7-8
40X3682	Magnetic catch	7-8
40X3684	Media feed lift motor	7-10, 7-66, 7-75
40X3685	Media tray lift one-way clutch	7-10, 7-66, 7-75
40X3686	Media tray lift one-way gear	7-10, 7-66, 7-75

Previous



Next



Go Back

40X3687	Media out actuator	7-10, 7-66, 7-75
40X3688	Sensor (2nd transfer roll retract HP)	7-17
40X3688	Sensor (MPF media out)	7-12
40X3688	Sensor (printer left lower door interlock)	7-8
40X3688	Sensor (standard bin full)	7-20
40X3688	Sensor (tray 1 media level)	7-10, 7-66, 7-75
40X3688	Sensor (tray 1 media out)	7-10, 7-66, 7-75
40X3690	Feed roll one-way clutch	7-10, 7-66, 7-75
40X3691	Feed roll one-way gear 22T	7-10, 7-66, 7-75
40X3692	Registration/transport roll assembly	7-14
40X3693	Registration clutch	7-14
40X3694	Sensor (registration)	7-14
40X3694	Sensor (tray 4 feed-out)	7-86
40X3695	Sensor (transparency detect)	7-14
40X3696	Printer left door damper idler gear	7-15
40X3697	Printer left door damper assembly	7-15
40X3698	2nd transfer roll assembly	7-16
40X3699	Sensor (fuser exit)	7-16
40X3700	Printer left door duplex exit guide	7-16
40X3701	2nd transfer roll retract cam assembly	7-17
40X3702	2nd transfer retract motor assembly	7-17
40X3703	Sensor (media on belt)	7-17
40X3704	Printer left door damper sector gear	7-17
40X3705	Standard media exit shift assembly	7-20
40X3706	Standard exit top cover	7-20
40X3707	Standard bin full actuator	7-20
40X3709	MPF media out actuator	7-12
40X3711	MPF pick roll kit	7-13
40X3712	Printhead assembly	7-21
40X3713	Waste toner cartridge cover	7-22
40X3714	Waste toner cartridge sensor assembly	7-22
40X3715	Switch (waste toner cartridge interlock)	7-22
40X3716	Waste toner agitator motor assembly	7-22
40X3717	Sensor (waste toner cartridge full)	7-22
40X3718	Developer interlock plate assembly	7-23
40X3719	CMY erase lamp assembly	7-23
40X3720	K erase lamp assembly	7-23
40X3721	Left transfer belt lift assembly	7-24
40X3722	Right transfer belt lift assembly	7-24
40X3723	Transfer belt lift latch assembly with label	7-24
40X3727	Transfer belt lift handle assembly	7-24
40X3729	Transfer belt auger front gear 14T	7-25
40X3730	Transfer belt auger rear gear 18T	7-25
40X3731	Transfer belt auger assembly	7-25
40X3732	Transfer belt unit assembly	7-25
40X3733	Transfer belt cleaning assembly	7-25
40X3734	Transfer belt lift recoil spring	7-26
40X3735	Transfer belt lift rear plunger assembly	7-26
40X3736	Transfer belt lift front plunger assembly	7-26
40X3737	Y toner dispense assembly	7-27
40X3738	M toner dispense assembly	7-27
40X3739	C toner dispense assembly	7-27
40X3740	K toner dispense assembly	7-27
40X3741	CMYK toner add motor assembly	7-27
40X3743	K developer carrier	7-28
40X3744	Y developer carrier	7-28
40X3745	M developer carrier	7-28
40X3746	C developer carrier	7-28
40X3747	Fuser assembly 110 V	7-29



40X3748	Fuser assembly 220 V	7-29
40X3749	Printhead shutter motor assembly	7-30
40X3750	Fuser cooling fan	7-30
40X3751	Transfer belt drive motor cooling fan	7-30
40X3752	Rear lower cooling fan assembly	7-30
40X3753	Developer/transfer roll HVPS card assembly	7-32
40X3754	Charge roll HVPS card assembly	7-32
40X3755	5 V LVPS card assembly 110 V	7-32
40X3756	5 V LVPS card assembly 220 V	7-32
40X3757	Lower printer engine card assembly	7-32
40X3758	24 V LVPS card assembly	7-32
40X3759	24 V LVPS cooling fan	7-32
40X3760	CMYK transfer roll HVPS card assembly	7-32
40X3761	Noise filter assembly	7-32
40X3762	Laser diode power card assembly	7-32
40X3763	Rear upper cooling fan	7-32
40X3764	AC drive card bracket assembly 110 V	7-33
40X3765	AC drive card bracket assembly 220 V	7-33
40X3766	Outlet power panel cable assembly	7-33
40X3768	Developer block cable assembly	7-35
40X3769	Charge roll block cable assembly	7-35
40X3770	YM transfer roll cable assembly	7-35
40X3771	CK transfer roll cable assembly	7-35
40X3772	Transfer belt charge cable	7-35
40X3773	2nd transfer roll charge connector	7-35
40X3774	2nd transfer charge roll cable	7-35
40X3775	DC main cable assembly	7-35
40X3776	DC rear right cable assembly	7-35
40X3777	DC rear left cable assembly	7-35
40X3778	Printer front door assembly	7-2
40X3779	Printhead slit glass cleaning assembly	7-2
40X3780	Right cover assembly	7-2
40X3781	Top cover assembly	7-3
40X3782	RIP card access cover	7-3
40X3783	Main switch cable assembly	7-3
40X3784	Front left cover	7-3
40X3785	Inner cover	7-3
40X3786	Main power switch actuator	7-3
40X3787	Switch (main power)	7-3
40X3788	Rear blind cover	7-4
40X3789	Rear cover assembly 110 V	7-4
40X3790	Rear cover assembly 220 V	7-4
40X3793	Rear left middle cover	7-4
40X3794	Rear left lower cover	7-4
40X3795	Left front cover	7-4
40X3796	Rear left upper cover	7-4
40X3797	Duplex media inverter assembly	7-18
40X3798	Printer left door blind cover	7-15
40X3799	Duplex unit assembly	7-15, 7-19
40X3800	Duplex controller card assembly	7-19
40X3801	Sensor (duplex wait)	7-19
40X3802	Duplex drive motor	7-19
40X3803	Switch (duplex left door interlock)	7-19
40X3804	RIP card cooling fan cover assembly	7-37
40X3807	RIP bridge card assembly	7-37
40X3808	Upper printer engine card assembly	7-37
40X3811	3TM controller card assembly	7-79
40X3812	Tray module drive motor assembly	7-69, 7-79, 7-91
40X3813	Media transport gear 23/46T	7-69, 7-79, 7-91

Previous



Next



Go Back

40X3814	Media transport gear 46T	7-79, 7-91
40X3815	Media transport gear 33T	7-69, 7-79, 7-91
40X3816	3TM left door assembly	7-77
40X3817	Sensor (tray 2 feed-out)	7-67, 7-77, 7-87
40X3818	Tray 2 feed-out sensor cable assembly	7-67, 7-77, 7-87
40X3819	Tray 3/4 feed-out sensor actuator	7-77
40X3820	Sensor (tray 3 feed-out)	7-77
40X3820	Sensor (tray 4 feed-out)	7-77
40X3821	Switch (tray module left door interlock)	7-67, 7-77, 7-88
40X3823	Tray module top cover	7-62, 7-71, 7-80
40X3824	Tray module foot cover	7-62, 7-71, 7-80
40X3825	Tray module right cover	7-62, 7-71, 7-80
40X3826	Tray module left cover	7-62, 7-71, 7-80
40X3827	Tray module rear cover	7-62, 7-71, 7-80
40X3828	TTM media tray 3 assembly kit	7-82
40X3829	TTM media tray 4 assembly kit	7-82
40X3830	Switch (TTM media size)	7-82
40X3831	TTM tray support roll	7-82
40X3832	TTM tray 3 front cover	7-84
40X3834	TTM tray 3 slide strip	7-84
40X3835	TTM tray 3 slide button	7-84
40X3836	TTM tray 4 front cover	7-85
40X3838	TTM tray 4 media transport assembly	7-86
40X3840	TTM tray 4 upper media guide	7-86
40X3841	TTM tray 4 lower media guide	7-86
40X3842	Tray 3 feed-out sensor assembly	7-87
40X3843	TTM vertical turn guide	7-87
40X3844	TTM left door assembly	7-88
40X3845	TTM tray 3 lift gear assembly	7-89
40X3846	TTM tray 4 lift gear assembly	7-89
40X3847	TTM tray lift gear 17T	7-89
40X3848	TTM tray lift coupling assembly	7-89
40X3849	TTM tray 4 transport drive motor assembly	7-91
40X3850	TTM controller card assembly	7-91
40X3851	Scanner left cover	7-52
40X3852	Scanner right cover	7-52
40X3855	Scanner interface cable assembly	7-52
40X3856	Scanner rear cover assembly	7-52
40X3858	Large platen glass retainer	7-56
40X3859	Operator panel cable assembly	7-56
40X3861	CCD card/lens assembly	7-54
40X3862	Scanner LVPS cooling fan assembly	7-54
40X3863	Operator panel bezel X940e model	7-56
40X3864	Scanner LVPS cable assembly 110 V	7-54
40X3865	Scanner LVPS card assembly 110 V	7-54
40X3866	Scanner LVPS card assembly 220 V	7-54
40X3867	Scanner main cable assembly	7-54
40X3868	Scanner drive motor assembly	7-60
40X3870	Operator panel bezel X945e model	7-56
40X3871	Exposure lamp PS card assembly	7-59
40X3872	Exposure lamp PS ribbon cable	7-59
40X3873	Exposure lamp PS card insulator	7-59
40X3874	Exposure lamp	7-59
40X3875	Scanner controller card assembly	7-57
40X3878	Main stand caster	7-61
40X3879	ADF unit assembly (complete unit)	7-38
40X3880	Document tray assembly	7-39, 7-51
40X3883	ADF registration pinch/frame assembly	7-41
40X3884	ADF left cover assembly	7-43



40X3886	ADF left cover handle	7-45
40X3887	ADF feed/pick roll assembly	7-45
40X3888	Media scan guide	7-47
40X3889	Media scan guide spring	7-47
40X3892	Sensor (document tray length 1)	7-51
40X3892	Sensor (document tray length 2)	7-51
40X4031	100K printer maintenance kit (110V)	7-92
40X4032	600K printer maintenance kit	7-92
40X4033	Maintenance kit (ADF)	7-92
40X4034	Tray module retainer screw	7-69, 7-79, 7-91
40X4035	Tray 3/4 feed-out sensor cable assembly	7-77
40X4036	CCD ribbon cable assembly	7-54
40X4037	Scanner LVPS cable assembly 220 V	7-54
40X4068	Tray module left retaining bracket	7-69, 7-79, 7-91
40X4069	Tray module right retaining bracket	7-69, 7-79, 7-91
40X4078	Printer left door assembly	7-15, 7-16, 7-17
40X4079	MPF feed unit assembly	7-11, 7-12, 7-13
40X4080	Standard output bin paper weight assembly	7-20
40X4081	Upper printer engine card cable assembly	7-37
40X4084	TTM tray 3 lift cable	7-84
40X4085	TTM tray 4 lift cable	7-85
40X4086	Separation roll friction clutch	7-10, 7-66, 7-75
40X4088	Banner media tray assembly	7-92
40X4093	100K printer maintenance kit (220V)	7-92
40X4096	Operator panel assembly (universal)	7-56
40X4097	Main stand attach bracket	7-61
40X4098	Printer left door closed actuator	7-16
40X4101	MFP relocation kit	7-92
40X4103	TTM main cable assembly	7-91
40X4104	Registration pad cover	7-41
40X4108	3TM main cable assembly	7-79
40X4109	1TM main cable assembly	7-69
40X4117	Front locking caster	7-69, 7-79, 7-91
40X4119	Tray module media transport roll assembly	7-67, 7-77, 7-87
40X4126	TTM tray lift idler pulley	7-85
40X4126	TTM tray lift pulley	7-84
40X4127	TTM tray lift idler pulley guide	7-84, 7-85
40X4141	1TM left door assembly	7-67
40X4142	1TM front door assembly	7-62
40X4143	Rear non-locking caster	7-69, 7-79, 7-91
40X4151	Hard drive assembly	7-37
40X4152	1TM controller card assembly	7-69
40X4153	Fuser assembly 100 V	7-29
40X4407	MFP RIP card assembly (XC940e, XC945e model)	7-37
40X4596	Power cord—Brazil high amp LV 8ft straight	7-92
40X5865	MFP RIP card assembly (X940e, X945e model)	7-37
40X5978	ADF controller card assembly	7-41
40X6788	Developer unit assembly	7-28
40X8459	USB connector assembly	7-56
56P2129	Lexmark MarkNet N7020e (4 USB ports) 1-0/100/1000 w/out power cord	7-92
56P2744	N4050e 802.11g Wireless Print Server (Americas, Argentina, & Brazil) w/out power cord	7-92
56P2745	N4050e 802.11g Wireless Print Server (European, UK/Ireland, & Australia) w/out power cord	7-92

Previous



Next



Go Back

Previous



Next



Go Back